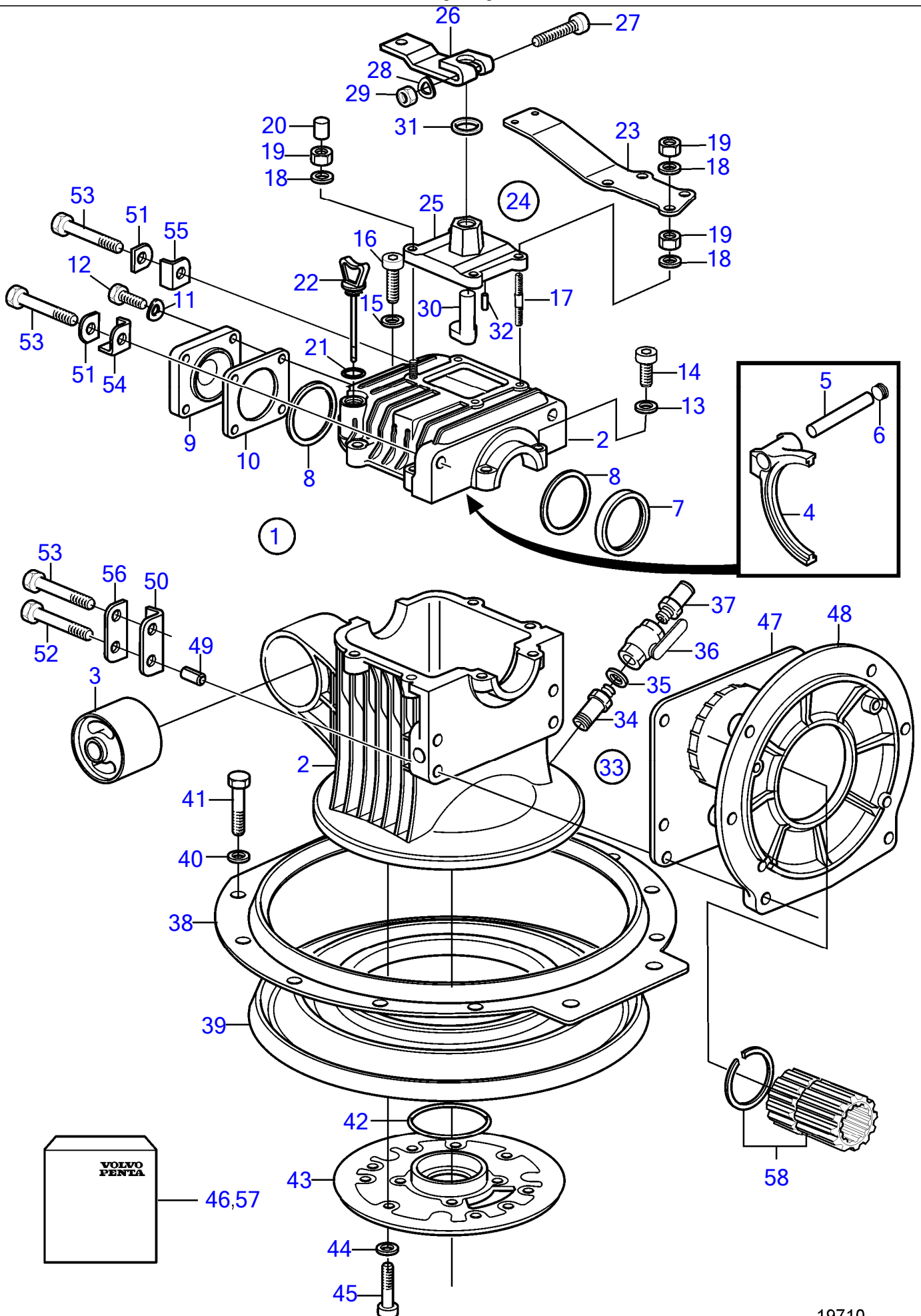
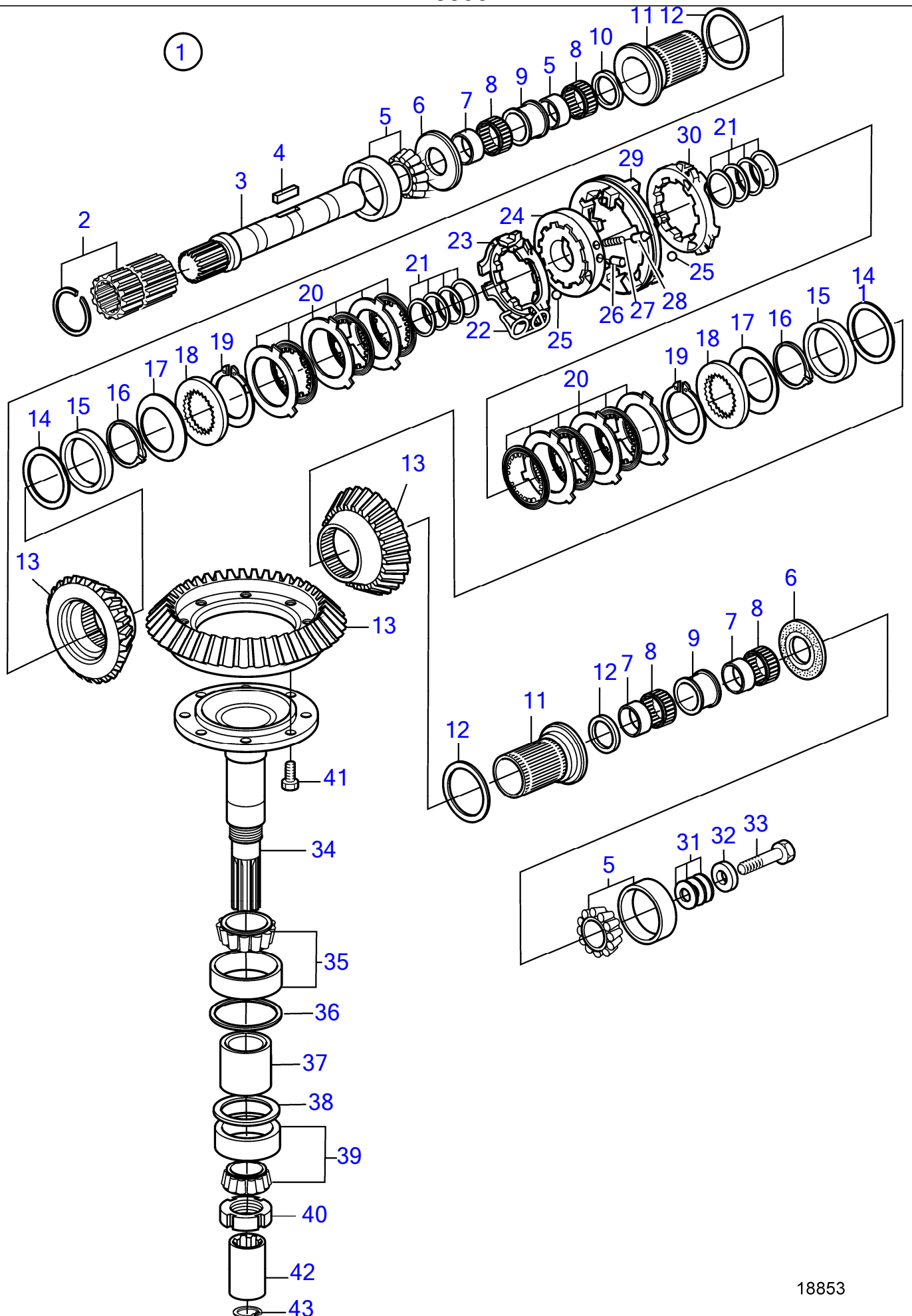


MS25S-A, MS25SR-A, 120S-A, 120S-B, 120S-D, 120S-E
19710



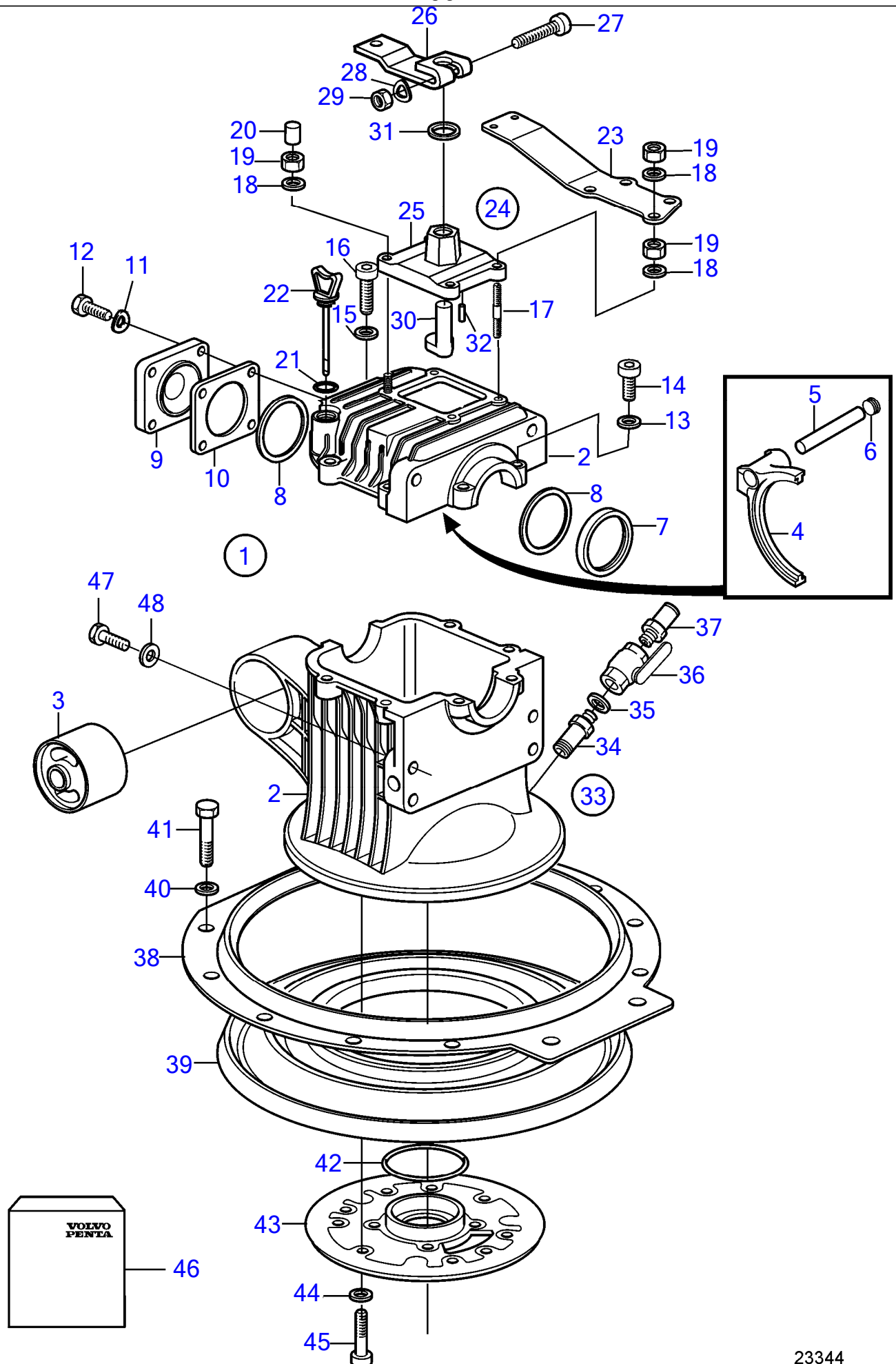
Ref	Part No.	Qty	Description	Notes
1	3583352	1	Upper gear	
2	3583491	1	· Housing	
3	3583321	1	· Rubber bushing	Replaced by 3586700
	3586700	1	· Rubber bushing	
4	3582551	1	· Shift yoke	Replaced by service kit 40005267
	40005267	1	· Gear changing unit, shift mechanism	Includes shift mechanism 3849903, shaft 3849909 and fork 3593595.
5	3582463	1	· Fork shaft	Replaced by service kit 40005267
6	3581973	1	· Plug	
7	3583322	1	· Sealing	
8	948298	X	· Shim	
	948299	X	· Shim	
	3582568	X	· Shim	TH=0,20mm
	3582568	X	· Shim	TH=0,30mm
	948300	X	· Shim	TH=0,50mm, (3582569)
9	3582922	1	· Cover	
10	3582557	1	· Gasket	
11	941907	4	· Spring washer	
12	955294	4	· Hexagon screw	
13	941907	6	· Spring washer	
14	955298	6	· Hexagon screw	
15	941907	2	· Spring washer	
16	959229	2	· Hex. socket screw	
17	980289	4	· Stud	
18	941907	6	· Spring washer	
19	955782	6	· Hexagon nut	
20		2	· Protecting cap	
21	3582203	1	· O-ring	
22	3582201	1	· Dipstick	
23	3586718	1	· Bracket	
24		1	· Shift mechanism	
25	3582550	1	· · Cover	
26	3586320	1	· · Engagement lever	
27	955298	1	· · Hexagon screw	
28	941907	1	· · Spring washer	
29	955782	1	· · Hexagon nut	
30	3581969	1	· · Cam	
31	3581966	1	· · Sealing	
32		1	· · Locating pin	
33		1	· Drain cock	
34	3583431	1	· · Nipple	
35	947626	1	· · Gasket	
36	1140097	1	· · Ball valve	
37	3583432	1	· · Nipple	
38	3586701	1	Tensioning ring	(873126)
39	21389074	1	Rubber bellows	
40	941670	10	Washer	
41	946541	10	Hex. socket screw	
42	3582870	1	O-ring	
43	3582892	1	Intermediate section	MS25S
	3583323	1	Cover	MS25SR
	3817155	1	Intermediate plate	MS25S, Spare part design.
	3818296	1	Intermediate plate	MS25SR, Spare part design.
44	941670	3	Washer	
45	946541	3	Hex. socket screw	
46	877362	1	Mounting kit	
47	3583356	1	Isolation plate	Included in kit 877369.
48	3583355	1	Flange	
49	3583361	1	Insulating bushing	Included in kit 877369.
50	3583359	2	Insulating washer	Included in kit 877369.
51	3583357	2	Insulating washer	Included in kit 877369.
52	970954	2	Hexagon screw	
53	965185	4	Flange screw	
54	3583358	1	Insulating washer	Included in kit 877369.
55	3583357	1	Insulating washer	Included in kit 877369.
56	3583539	2	Plate	
57	877369	1	Isolation kit	
58	3843112	1	Splined sleeve	

MS25S-A, MS25SR-A, 120S-A, 120S-B, 120S-D, 120S-E
18853



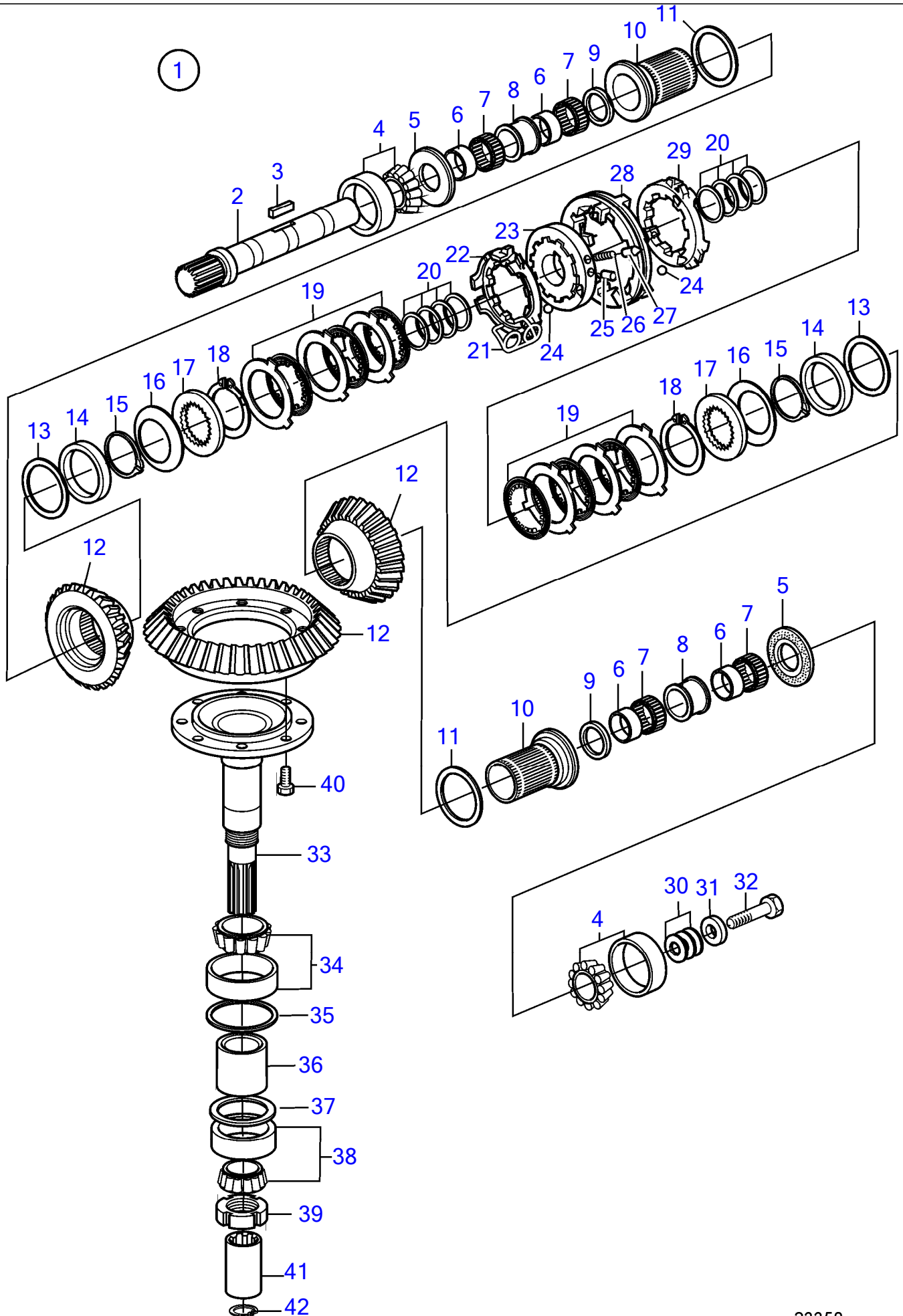
18853

Ref	Part No.	Qty	Description	Notes
1	3583352	1	Upper gear	
2	3843112	1	· Splined sleeve	(3583492)
3	3841088	1	· Input shaft	
4	3582591	1	· Key	
5	183834	2	· Roller bearing	(3583326)
6	3582571	2	· Thrust washer	
7	3582904	4	· Inner race	
8	3582905	4	· Needle bearing	
9	3582906	2	· Spacer ring	
10	3583327	2	· Ring	
11	3582907	2	· Bushing	
12	3582908	2	· Shim	TH=0.10mm
	3582911	2	· Shim	TH=0,20mm
	3582910	2	· Shim	TH=0,30mm
	3586723	2	· Shim	TH=0,50mm
13	3583328	1	· Gear set	
14	948298	X	· Shim	TJ=0,10mm (3582566)
	948299	X	· Shim	
	3582568	X	· Shim	TJ=0,20mm (3582903)
	3582568	X	· Shim	TH=0,30mm
	948300	X	· Shim	TH=0,50mm, (3582569)
15	3582914	2	· Spacer	
16	3582913	2	· Ring	
17	3582915	2	· Spring	Replaced by 3808598
	3808598	2	· Disc spring	
18	3582916	2	· End disc	
19	3582917	2	· Lock ring	
20	877370	1	· Disc kit	(3582578, 3582579)
21	3582872	X	· Shim	TH=0.15mm
	3583430	X	· Shim	TH=0,20mm
	3583429	X	· Shim	TH=0,30mm
	3582580	X	· Shim	TH=0,40mm
	3582581	X	· Shim	TH=0,50mm
	3582582	X	· Shim	TH=0,60mm
	3582583	X	· Shim	TH=0,70mm
22	3582024	3	· Torsion spring	
23	3583344	1	· Retainer	Replaced by kit 3593848.
24	3582898	1	· Ring	
25	3582585	6	· Ball	
26	3582590	3	· Spindle	
27	3582588	3	· Spring	
28	3582589	3	· Stop pin	
29	3583345	1	· Sleeve	Replaced by kit 3593848.
30	3583343	1	· Retainer	Replaced by kit 3593848.
31	(3583346)	X	· Shim	Obsolete part, TH=0.10mm
	3582900	X	· Shim	TH=0,20mm
	3582901	X	· Shim	TH=0,50mm
	3586727	X	· Shim	TH=1,00mm
32	3582899	1	· Washer	
33	970948	1	· Hexagon screw	
34	3582879	1	· Gear	
35	11041	1	· Roller bearing	
36	3582873	X	· Shim	TH=0.10mm
	3582874	X	· Shim	TH=0.15mm
	3582875	X	· Shim	TH=0,20mm
37	3582880	1	· Spacer	
38	3582872	X	· Shim	TH=0.15mm
	3583430	X	· Shim	TH=0,20mm
	3583429	X	· Shim	TH=0,30mm
	3582580	X	· Shim	TH=0,40mm
	3582581	X	· Shim	TH=0,50mm
	3582582	X	· Shim	TH=0,60mm
	3582583	X	· Shim	TH=0,70mm
39	183834	1	· Roller bearing	(3583326)
40	3582925	1	· Lock nut	
41	955271	8	· Hexagon screw	
42	3582894	1	Splined sleeve	
43	3583350	1	Lock ring	

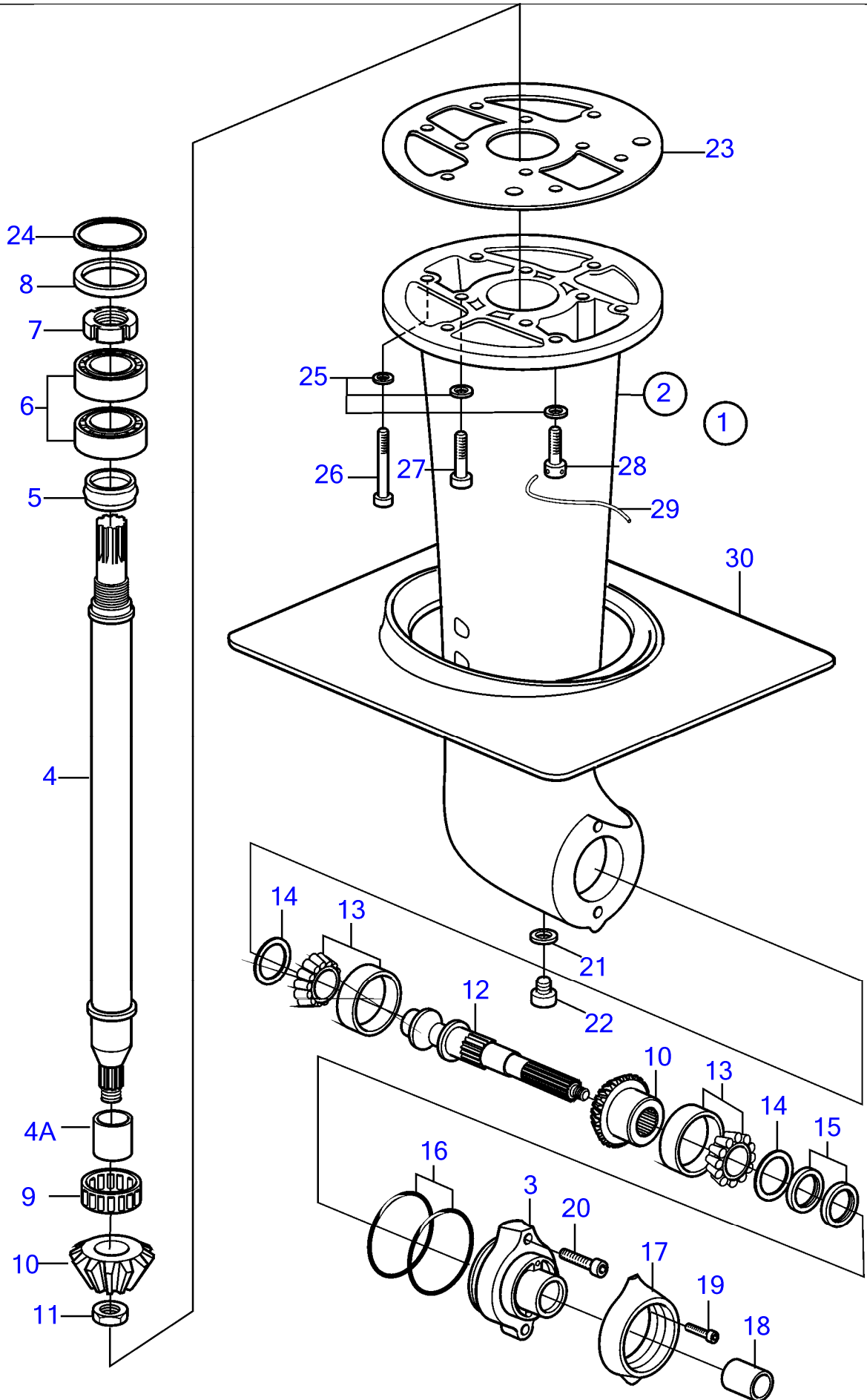


Ref	Part No.	Qty	Description	Notes
1	3583351	1	Upper gear	
			.	
2	3582877	1	Housing	
3	3583321	1	· Rubber bushing	Replaced by 3586700
	3586700	1	· Rubber bushing	
4	3582551	1	· Shift yoke	Replaced by service kit 40005267
	40005267	1	· Gear changing unit, shift mechanism	Includes shift mechanism 3849903, shaft 3849909 and fork 3593595.
5	3582463	1	· Fork shaft	Replaced by service kit 40005267
6	3581973	1	· Plug	
7	3583322	1	· Sealing	
8	948298	X	· Shim	TJ=0,10mm (3582566)
	948299	X	· Shim	TJ=0,15mm (3582567)
	3582568	X	· Shim	TJ=0,20mm (3582903)
	3582568	X	· Shim	TH=0,30mm
	948300	X	· Shim	TH=0,50mm, (3582569)
9	3582922	1	· Cover	
10	3582557	1	· Gasket	
11	941907	4	· Spring washer	
12	955294	4	· Hexagon screw	
13	941907	6	· Spring washer	
14	955298	6	· Hexagon screw	
15	941907	2	· Spring washer	
16	955302	2	· Hexagon screw	
17	980289	4	· Stud	
18	941907	6	· Spring washer	
19	955782	6	· Hexagon nut	
20		2	· Protecting cap	
21	3582203	1	· O-ring	
22	3582201	1	· Dipstick	
23	3586718	1	· Bracket	(3582614)
24		1	· Shift mechanism	
25	3582550	1	· Cover	
26	3586320	1	· Engagement lever	(3581965)
27	955298	1	· Hexagon screw	
28	941907	1	· Spring washer	
29	955782	1	· Hexagon nut	
30	3581969	1	· Cam	
31	3581966	1	· Sealing	
32		1	· Locating pin	
33		1	· Drain cock	
34	3583431	1	· Nipple	
35	947626	1	· Gasket	
36	1140097	1	· Ball valve	
37	3583432	1	· Nipple	
38	3586701	1	· Tensioning ring	(873126)
39	21389074	1	· Rubber bellows	
			.	
40	941670	10	· Washer	
41	946541	10	· Hex. socket screw	
42	3582870	1	· O-ring	
43	3582892	1	· Intermediate section	MS25S
	3583323	1	· Cover	MS25SR
	3817155	1	· Intermediate plate	MS25S, Spare part design.
	3818296	1	· Intermediate plate	MS25SR, Spare part design.
44	941670	3	· Washer	
45	946541	3	· Hex. socket screw	
46	877362	1	Mounting kit	
47	965185	6	Flange screw	
48	976945	6	Washer	

MS25S-A, MS25SR-A, 120S-A, 120S-B, 120S-D, 120S-E
23350

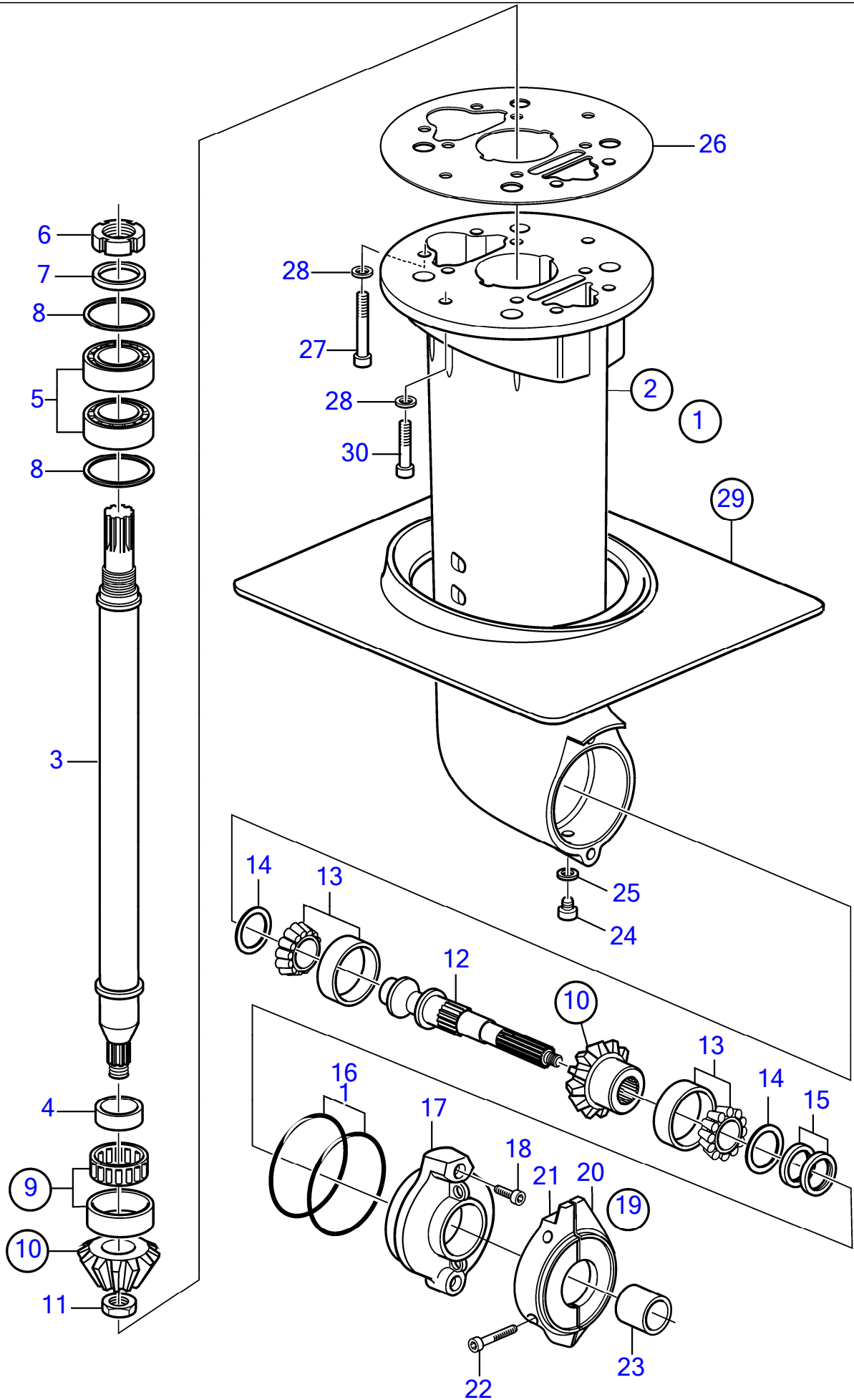


Ref	Part No.	Qty	Description	Notes
1	3583351	1	Upper gear	
2	3841088	1	· Input shaft	(3583325)
3	3582591	1	· Key	
4	183834	2	· Roller bearing	(3583326)
5	3582571	2	· Thrust washer	
6	3582904	4	· Inner race	
7	3582905	4	· Needle bearing	
8	3582906	2	· Spacer ring	
9	3583327	2	· Ring	
10	3582907	2	· Bushing	
11	3582908	2	· Shim	TH=0,10mm
	3582911	2	· Shim	TH=0,20mm
	3582910	2	· Shim	TH=0,30mm
	3586723	2	· Shim	TJ=0,50mm (3582912)
12	3583328	1	· Gear set	
13	948298	X	· Shim	TJ=0,10mm (3582566)
	948299	X	· Shim	TJ=0,15mm (3582567)
	3582568	X	· Shim	TJ=0,20mm (3582903)
	3582568	X	· Shim	TH=0,30mm
	948300	X	· Shim	TH=0,50mm, (3582569)
14	3582914	2	· Spacer	
15	3582913	2	· Ring	
16	3582915	2	· Spring	Replaced by 3808598
	3808598	2	· Disc spring	
17	3582916	2	· End disc	
18	3582917	2	· Lock ring	
19	877370	1	· Disc kit	(3582578, 3582579)
20	3582872	X	· Shim	TH=0,15mm
	3583430	X	· Shim	TH=0,20mm
	3583429	X	· Shim	TH=0,30mm
	3582580	X	· Shim	TH=0,40mm
	3582581	X	· Shim	TH=0,50mm
	3582582	X	· Shim	TH=0,60mm
	3582583	X	· Shim	TH=0,70mm
21	3582024	3	· Torsion spring	
22	3583344	1	· Retainer	Replaced by kit 3593848.
23	3582898	1	· Ring	
24	3582585	6	· Ball	
25	3582590	3	· Spindle	
26	3582588	3	· Spring	
27	3582589	3	· Stop pin	
28	3583345	1	· Sleeve	Replaced by kit 3593848.
29	3583343	1	· Retainer	Replaced by kit 3593848.
30	(3583346)	X	· Shim	Obsolete part, TH=0.10mm
	3582900	X	· Shim	TH=0,20mm
	3582901	X	· Shim	TH=0,50mm
	3586727	X	· Shim	TJ=1,00mm (3582902)
31	3582899	1	· Washer	
32	970948	1	· Hexagon screw	
33	3582879	1	· Gear	
34	11041	1	· Roller bearing	(3582924)
35	3582873	X	· Shim	TH=0,10mm
	3582874	X	· Shim	TH=0,15mm
	3582875	X	· Shim	TH=0,20mm
36	3582880	1	· Spacer	
37	3582872	X	· Shim	TH=0,15mm
	3583430	X	· Shim	TH=0,20mm
	3583429	X	· Shim	TH=0,30mm
	3582580	X	· Shim	TH=0,40mm
	3582581	X	· Shim	TH=0,50mm
	3582582	X	· Shim	TH=0,60mm
	3582583	X	· Shim	TH=0,70mm
38	183834	1	· Roller bearing	(3583326)
39	3582925	1	· Lock nut	
40	955271	8	· Hexagon screw	
41	3582894	1	Splined sleeve	
42	3583350	1	Lock ring	



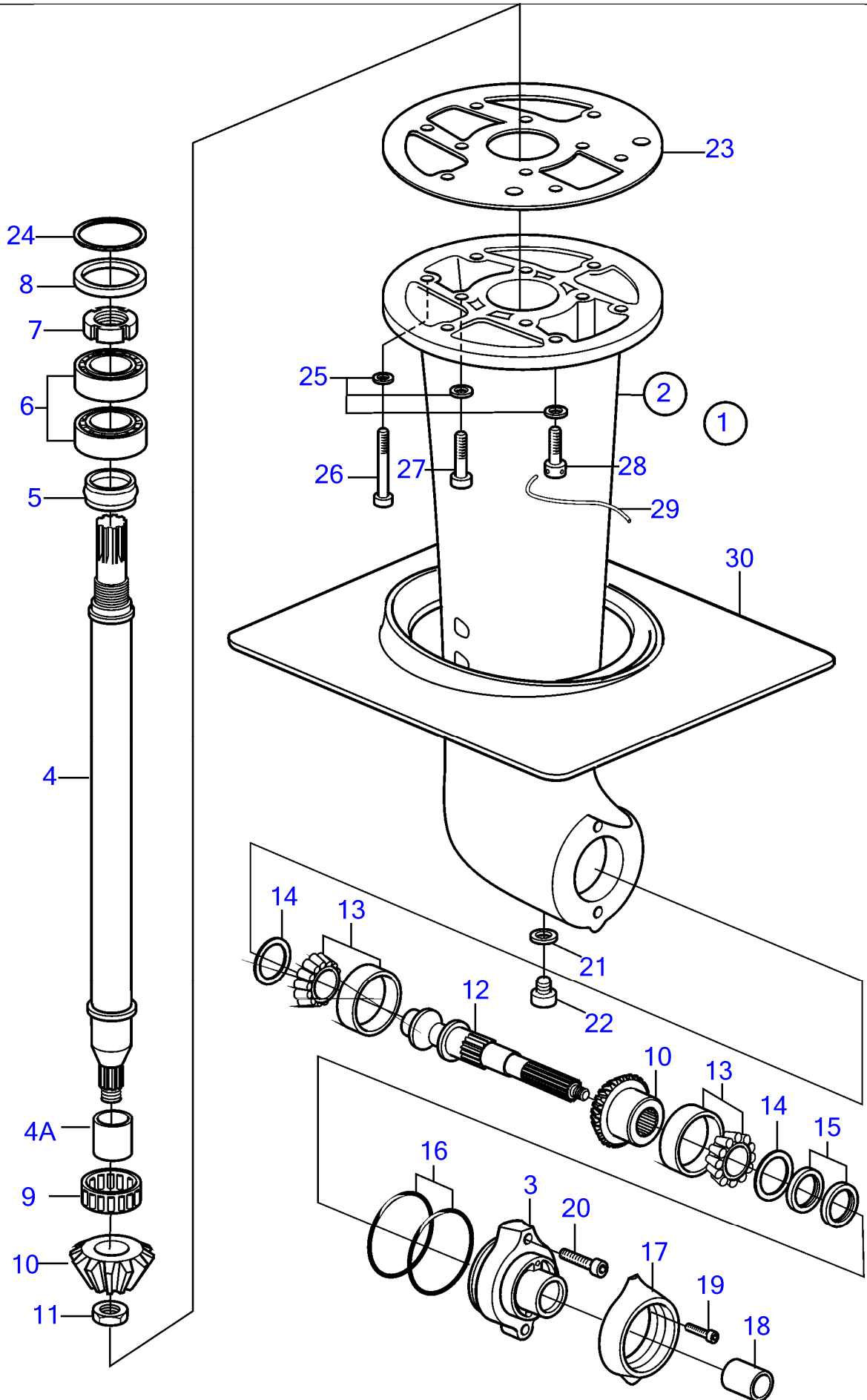
MS25S-A, MS25SR-A

Ref	Part No.	Qty	Description	Notes	
1	3583354	1	Gear	Replaced by 3817150	
	3817150	1	Gear housing kit		
2	(3583446)	1	· Gear housing	Obsolete part (3583364)	
3	873127	1	· · Bearing housing		
4	3582881	1	· Shaft	(3583326)	
4A		1	· · Sleeve		
5	3582883	1	· Bushing		
6	183834	2	· Roller bearing		
7	3582869	1	· Nut		
8		1	· Spacer		
9	3582868	1	· Bearing		
10	3583363	1	· Gear set		
11	850981	1	· Nut		
12	3582888	1	· Propeller shaft		
13	3854249	2	· Roller bearing	(3582473)	
14	851980	X	· Adjusting washer	TH=0.10mm, (3582477)	
	851981	X	· Adjusting washer	TH=0.15mm, (3582478)	
	3582876	X	· Shim	TH=0,20mm	
	851982	X	· Adjusting washer	TH=0,30mm, (3582479)	
	3583347	X	· Shim	TH=0,50mm	
15	3593663	2	· Sealing ring	M6 M8	
16	925256	2	· O-ring		
17	876286	1	· Zinc ring kit		
18	3582887	1	· Spacer		
19	949823	2	· Cross recessed screw		
20	946541	2	· Hex. socket screw		
21	955974	1	· O-ring		
22	852904	1	· Magnetic plug		(839354)
23	3582893	1	Gasket		Included in kit 877362.
24	948298	X	Shim		TJ=0,10mm (3582566)
	948299	X	Shim		TJ=0,15mm (3582567)
	3582568	X	Shim		TJ=0,20mm (3582903)
	3582568	X	Shim		TH=0,30mm
	948300	X	Shim		TH=0,50mm, (3582569)
25	941670	10	Washer		
26	963703	2	Hex. socket screw		
27	963699	4	Hex. socket screw		
28	3582895	4	Stop screw		
29	852668	X	Locking wire	Included in kit 877362., L=700mm	
30	22303438	1	Mounting kit		



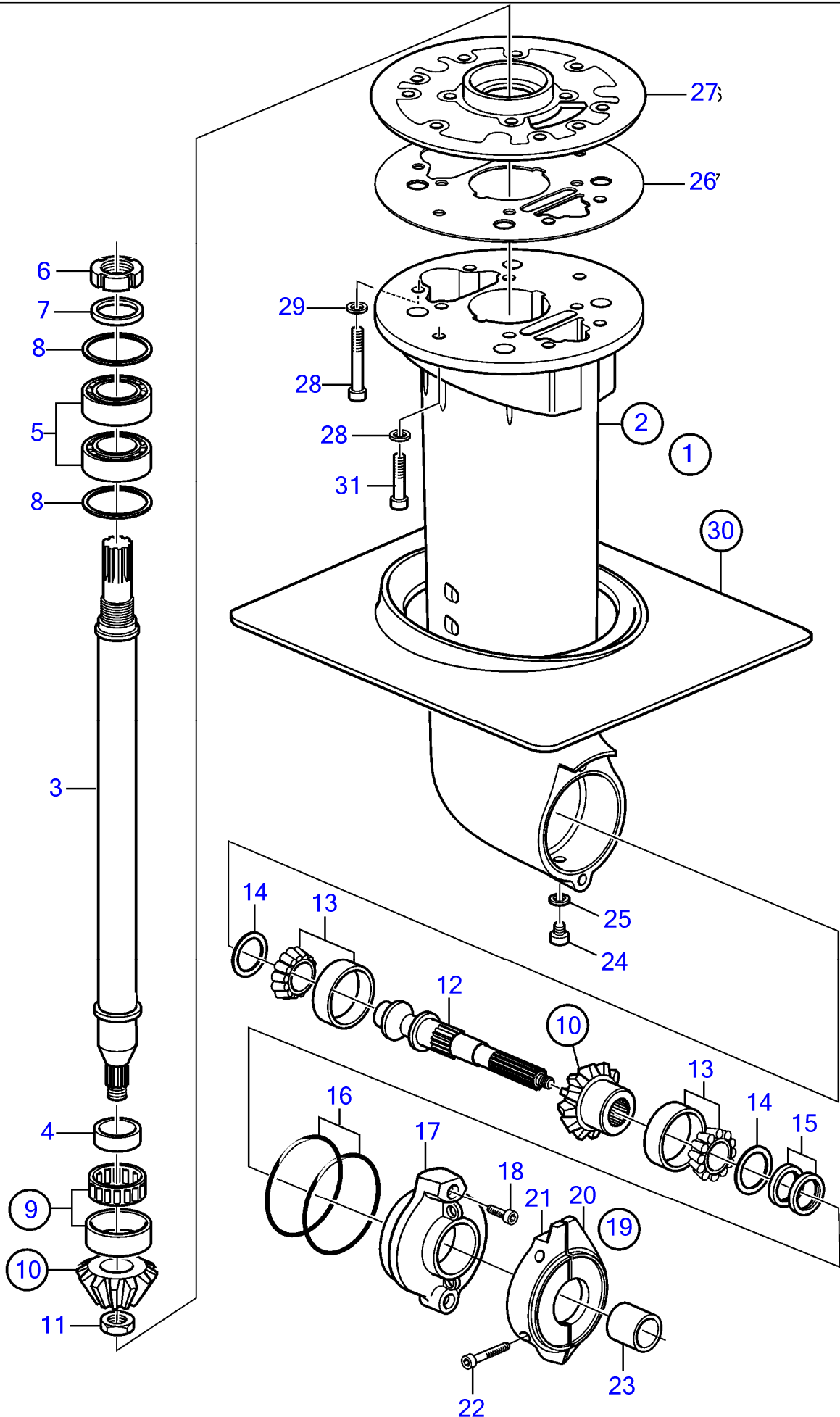
MS25S-A, MS25SR-A, 120S-A, 120S-B, 120S-D, 120S-E

Ref	Part No.	Qty	Description	Notes
1	3817150	1	Gear housing kit	
2	3812349	1	· Gear housing	
3	3808719	1	· · Shaft	
4	889736	1	· Inner ring	
5	11041	2	· Roller bearing	
6	3586672	1	· Lock nut	
7	889738	1	· Spacer ring	
8	3586729	X	· Shim	TH=0.10mm
	3582874	X	· Shim	TH=0.15mm
	3582875	X	· Shim	TH=0,20mm
	3586730	X	· Shim	TH=0,50mm
	3586731	X	· Shim	TH=1,00mm
9	3586323	1	· Needle bearing	
10	3583363	1	· Gear set	Ratio 2.19:1
11	850981	1	· Nut	(3582885)
12	3582888	1	· Propeller shaft	
13	3854249	2	· Roller bearing	(3582473)
14	851980	X	· Adjusting washer	TH=0.10mm, (3582477)
	851981	X	· Adjusting washer	TH=0.15mm, (3582478)
	3582876	X	· Shim	TH=0,20mm
	851982	X	· Adjusting washer	TH=0,30mm, (3582479)
	3583347	X	· Shim	TH=0,50mm
	3582480	X	· Shim	TH=1,00mm
15	3593663	2	· Sealing ring	
16	889672	2	· O-ring	
17	3584278	1	· Bearing housing	
18	946541	2	· Hex. socket screw	L=25mm
19	876286	1	· Zinc ring kit	
	876604	1	· Magnesium anode kit	
20		1	· · Anode	
21		1	· · Anode	Left
22	963688	2	· · Hex. socket screw	L=40mm
23	3582887	1	· Spacer	
24	3854539	1	· Plug	
25	3855081	1	· · O-ring	
26	3817355	1	Gasket	
27	963703	8	Hex. socket screw	
28	941670	10	Washer	
29	22303438	1	Mounting kit	
30	963700	2	Hex. socket screw	



MS25S-A, MS25SR-A

Ref	Part No.	Qty	Description	Notes
1	3583353	1	Gear	Replaced by 3817154
	3817154	1	Gear housing kit	
2	(3583446)	1	· Gear housing	Obsolete part (3583364)
3	873127	1	· · Bearing housing	
4	3582881	1	· Shaft	(3583326)
4A		1	· · Sleeve	
5	3582883	1	· Bushing	
6	183834	2	· Roller bearing	
7	3582869	1	· Nut	
8		1	· Spacer	
9	3582868	1	· Bearing	
10	3583362	1	· Gear set	
11	850981	1	· Nut	
12	3582888	1	· Propeller shaft	
13	3854249	2	· Roller bearing	(3582473)
14	851980	X	· Adjusting washer	TH=0,10mm, (3582477)
	851981	X	· Adjusting washer	TH=0,15mm, (3582478)
	3582876	X	· Shim	TH=0,20mm
	851982	X	· Adjusting washer	TH=0,30mm, (3582479)
	3583347	X	· Shim	TH=0,50mm
15	3593663	2	· Sealing ring	(3582889)
16	925256	2	· O-ring	
17	876286	1	· Zinc ring kit	
18	3582887	1	· Spacer	
19	949823	2	· Cross recessed screw	M6
20	946541	2	· Hex. socket screw	M8
21	955974	1	· O-ring	
22	852904	1	· Magnetic plug	(839354)
23	3582893	1	Gasket	Included in kit 877362.
24	948298	X	Shim	TJ=0,10mm (3582566)
	948299	X	Shim	TJ=0,15mm (3582567)
	3582568	X	Shim	TJ=0,20mm (3582903)
	3582568	X	Shim	TH=0,30mm
	948300	X	Shim	TH=0,50mm, (3582569)
25	941670	10	Washer	
26	963703	2	Hex. socket screw	
27	963699	4	Hex. socket screw	
28	3582895	4	Stop screw	
29	852668	X	Locking wire	Included in kit 877362., L=700mm
30	22303438	1	Mounting kit	



MS25S-A, MS25SR-A, 120S-A, 120S-B, 120S-D, 120S-E

Ref	Part No.	Qty	Description	Notes
1	3817154	1	Gear housing kit	Only when replacing complete lower gear unit
2	3812349	1	· Gear housing	
3	3808719	1	· · Shaft	
4	889736	1	· Inner ring	
5	11041	2	· Roller bearing	
6	3586672	1	· Lock nut	
7	889738	1	· Spacer ring	
8	3586729	X	· Shim	TH=0.10mm
	3582874	X	· Shim	TH=0.15mm
	3582875	X	· Shim	TH=0,20mm
	3586730	X	· Shim	TH=0,50mm
	3586731	X	· Shim	TH=1,00mm
9	3586323	1	· Needle bearing	
10	3583362	1	· Gear set	Ratio 2.47:1
11	850981	1	· Nut	(3582885)
12	3582888	1	· Propeller shaft	
13	3854249	2	· Roller bearing	
14	851980	X	· Adjusting washer	TH=0.10mm, (3582477)
	851981	X	· Adjusting washer	TH=0.15mm, (3582478)
	3582876	X	· Shim	TH=0,20mm
	851982	X	· Adjusting washer	TH=0,30mm, (3582479)
	3583347	X	· Shim	TH=0,50mm
	3582480	X	· Shim	TH=1,00mm
15	3593663	2	· Sealing ring	
16	889672	2	· O-ring	
17	3584278	1	· Bearing housing	
18	946541	2	· Hex. socket screw	L=25mm
19	3888305	1	· Anode kit, zinc	
	3888306	1	· Anode kit, magnesium	
20		1	· · Anode	
21		1	· · Anode	Left
22	963688	2	· · Hex. socket screw	L=40mm
23	3582887	1	· Spacer	
24	3854539	1	· Plug	
25	3855081	1	· · O-ring	
26	3817155	1	· Intermediate plate	MS25S
27	3817355	1	Gasket	
28	963703	8	Hex. socket screw	
29	941670	10	Washer	
30	22303438	1	Mounting kit	
31	963700	2	Hex. socket screw	

Ref	Part No.	Qty	Description	Notes
1	3817194	1	Sealing kit	
	889672	2	· O-ring	
	925256	1	· O-ring	
	944364	2	· O-ring	
	947626	1	· Gasket	
	976994	1	· O-ring	
	3581966	1	· Sealing	
	3582203	1	· O-ring	
	3582557	1	· Gasket	
	3593663	2	· Sealing ring	
	3583322	1	· Sealing	
	3586693	1	· Gasket	
	3848817	1	Disc kit	(877370)
	3583322	2	· Sealing	
	3582557	1	· Gasket	
	948298	4	· Shim	
	948299	4	· Shim	
	948300	4	· Shim	
	3582571	2	· Thrust washer	
	3582578	6	· Disc	
	3582024	3	· Torsion spring	
	3849908	2	· End disc	
	3582579	6	· Disc	
	3582917	2	· Lock ring	
	21389074	1	Rubber bellows	
		1	· Rubber bellows	
		1	· Cover plate	
	960238	1	· O-ring	
	21112496	1	· Sealing ring kit	
	3582896	1	· · Locking wire	L=700mm
	925256	1	· · O-ring	
	3856834	1	· · Gasket	
	21112497	1	· Sealing ring kit	
	925256	1	· · O-ring	
	944364	2	· · O-ring	
	976994	1	· · O-ring	
	3586693	1	· · Gasket	

Ref	Part No.	Qty	Description	Notes
1	3817194	1	Sealing kit	
	889672	2	· O-ring	
	925256	1	· O-ring	
	944364	2	· O-ring	
	947626	1	· Gasket	
	976994	1	· O-ring	
	3581966	1	· Sealing	
	3582203	1	· O-ring	
	3582557	1	· Gasket	
	3593663	2	· Sealing ring	
	3583322	1	· Sealing	
	3586693	1	· Gasket	
	3848817	1	Disc kit	(877370)
	3583322	2	· Sealing	
	3582557	1	· Gasket	
	948298	4	· Shim	
	948299	4	· Shim	
	948300	4	· Shim	
	3582571	2	· Thrust washer	
	3582578	6	· Disc	
	3582024	3	· Torsion spring	
	3849908	2	· End disc	
	3582579	6	· Disc	
	3582917	2	· Lock ring	

Description	Notes
Upper Gear Unit Sail Boat Drive Unit MS25S, MS25SR: RATIO 2.19:1	MS25S-A, MS25SR-A
Upper Gear Unit Sail Boat Drive Unit MS25S, MS25SR, Components: RATIO 2.19:1	MS25S-A, MS25SR-A
Upper Gear Unit Sail Boat Drive Unit MS25S, MS25SR: RATIO 2.47:1	MS25S-A, MS25SR-A
Upper Gear Unit Sail Boat Drive Unit MS25S, MS25SR, Components: RATIO 2.47:1	MS25S-A, MS25SR-A
Lower Gear Unit Sail Boat Drive Unit MS25S, MS25SR: RATIO 2.19:1	MS25S-A, MS25SR-A
Lower Gear Unit Sail Boat Drive Unit MS25S, MS25SR, Spare Part Solution: RATIO 2.19:1	MS25S-A, MS25SR-A, 120S-A, 120S-B, 120S-D, 120S-E
Lower Gear Unit Sail Boat Drive Unit MS25S, MS25SR: RATIO 2.47:1	MS25S-A, MS25SR-A
Lower Gear Unit Sail Boat Drive Unit MS25S, MS25SR, Spare Part Solution: RATIO 2.47:1	MS25S-A, MS25SR-A, 120S-A, 120S-B, 120S-D, 120S-E

Description	Notes
Repair Kits: A	MS25S-A, MS25SR-A
Repair Kits: B	MS25S-A, MS25SR-A

Ref	Description
44	Transmissions
99	Repair Kits