

parts catalogue



VH4.65

VH4.80

Deze onderdelencatalogus bevat waardevolle informatie voor onderhoud en service aan uw motor.

Wij adviseren U, bij vervanging alleen originele *VERBUS* onderdelen toe te passen.

Het typeplaatje bevat informatie over de typeaanduiding, het motornummer en de serie.


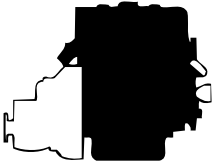
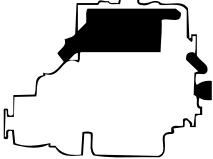
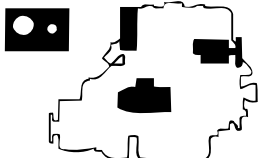


Gebruik deze informatie bij bestelling van onderdelen.

This parts' catalogue contains valuable information for maintenance and service over your engine.

For replacement, we recommend that you use only genuine *VERBUS* parts.

The identification tag contains information about model, serial number and series.

Use this information when ordering parts.

	<p>RESERVE KITS SPARE PARTS KIT</p>	<p>1</p>
	<p>MOTOR ENGINE</p>	<p>2</p>
	<p>KOELING COOLING</p>	<p>3</p>
	<p>ELECTRA, BEDIENING EN INSTRUMENTEN ELECTRICS, CONTROLS, INSTRUMENTS</p>	<p>4</p>
	<p>AANDRIJVING TRANSMISSION</p>	<p>5</p>
	<p>BRANDSTOFSTEEEM FUEL SYSTEM</p>	<p>6</p>
		<p>7</p>
		<p>8</p>
		<p>9</p>
		<p>10</p>

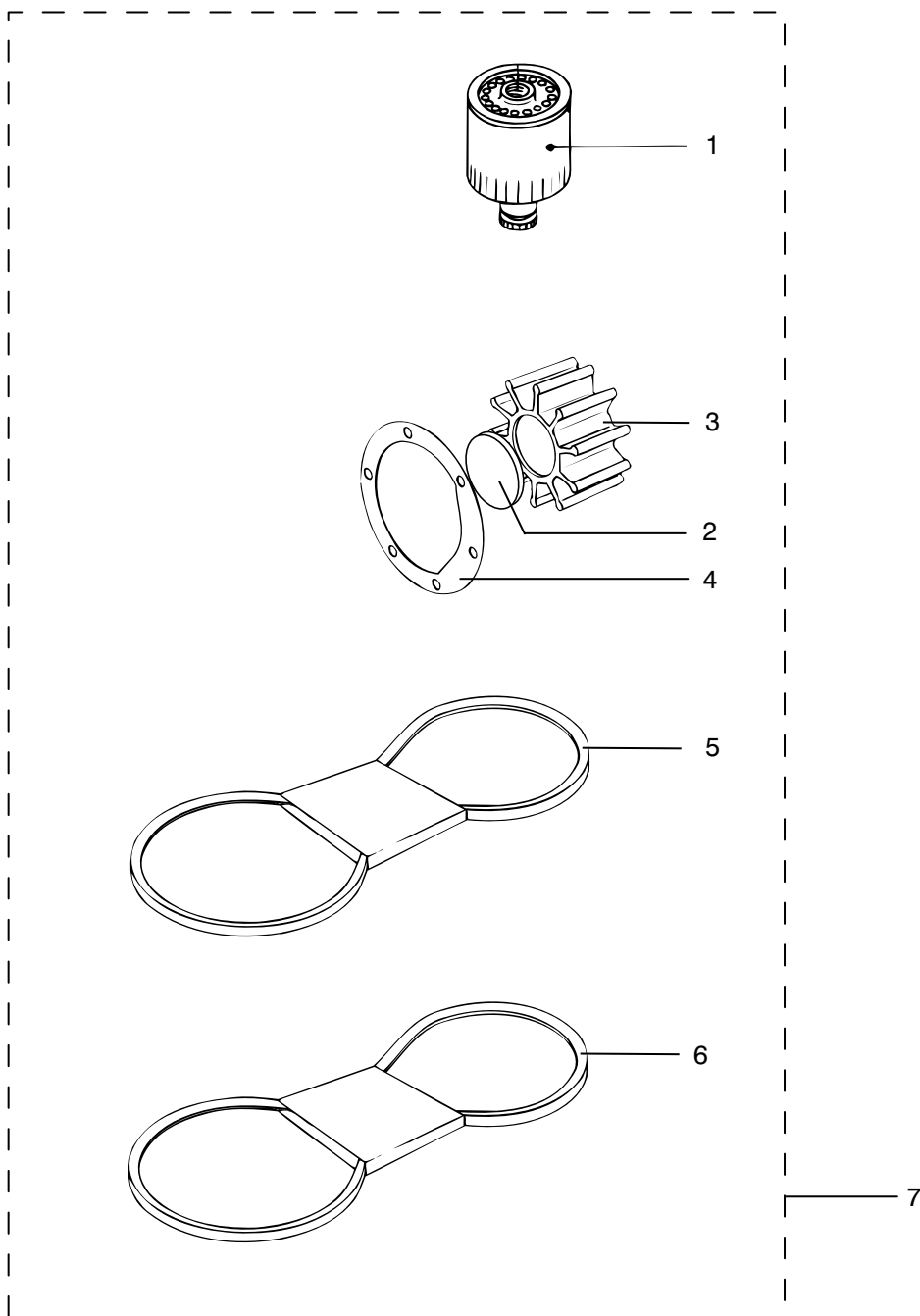
onderdelencatalogus parts catalogue



groep/ group	blz./ page	type	omschrijving/description	datum/date
1	1	VH4.65 VH4.80	Service kit Service kit	19 02 02

pos.	qty	part	benaming	description
1	1	STM3690	Brandstoffilter	Fuel filter
2	1	STM4651	Plug	Spline plug
3	1	STM4652	Impeller	Impeller
4	1	STM4656	Pakking	Gasket
5	1	STM4509	V-snaar 10x1200 (dynamo)	V-belt 10x1200 (alternator)
6	1	STM4523	V-snaar 10x780 (zeewaterpomp)	V-belt 10x780 (seawaterpump)
7	1	STM4996	Service kit (1+2+3+4+5+6)	Service kit (1+2+3+4+5+6)

groep/ group	blz./ page	type	omschrijving/description	datum/date
1	1	VH4.65 VH4.80	Service kit Service kit	19 02 02



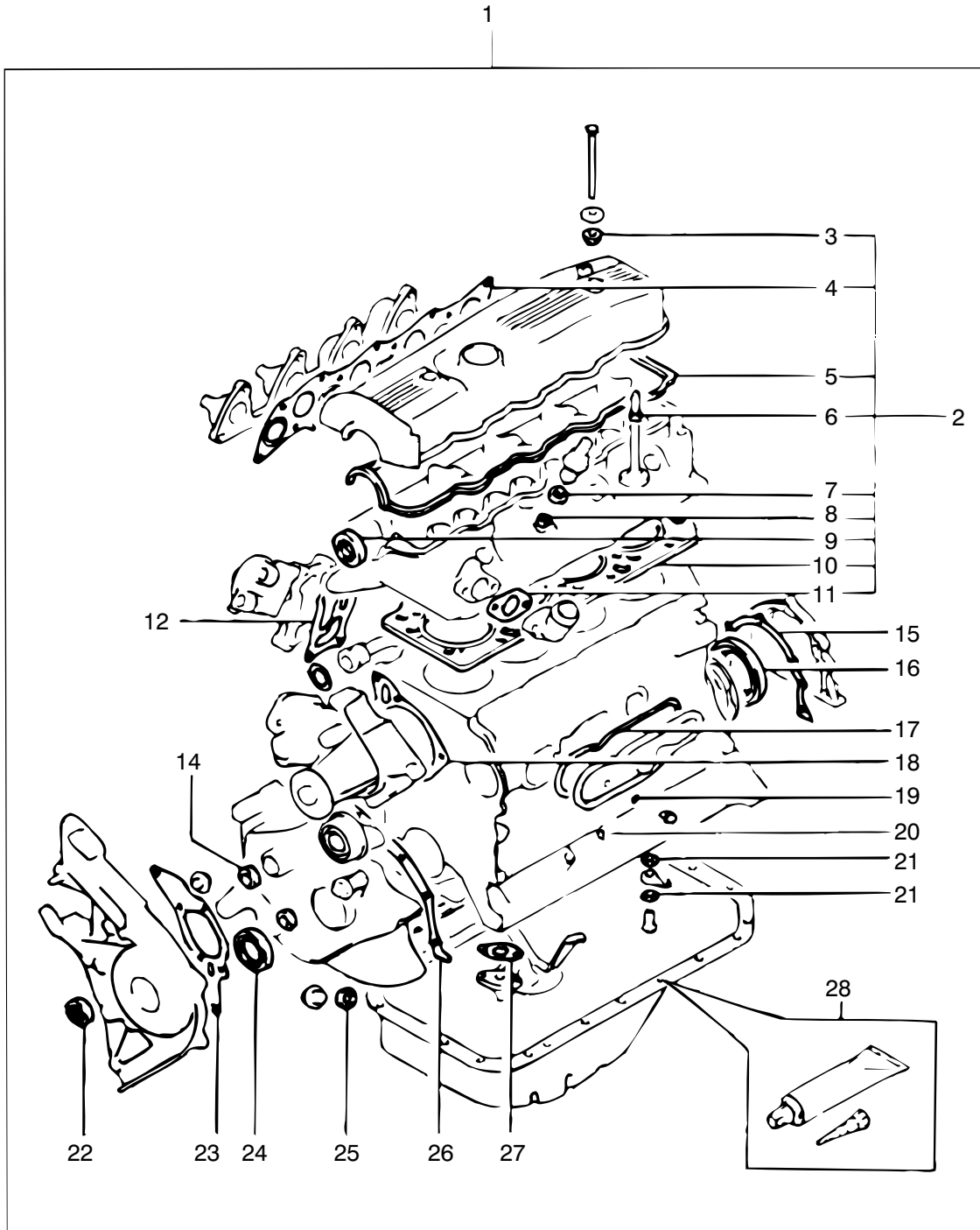
onderdelencatalogus parts catalogue



groep/ group	blz./ page	type	omschrijving/description	datum/date
2	1	VH4.65 VH4.80	Pakkingset Gasket kit	31 01 02

pos.	qty	part	benaming	description
1	1	STM4981	Pakkingset overhal	Gasket kit overhal
2	1	STM4982	Koppakkingset	Cyl.headgasket kit
3	3	STM4932	Afdichting	Seal
4	1	STM4980	Uit/inlaatpakking	Ex./inlet gasket
5	1	STM4929	Kleppendekelepakking	Gasket
6	8	STM4886	Afdichting	Seal
7	4	STM4951	Afdichting	Seal
8	4	STM4952	Afdichting	Seal
9	1	STM4782	Afdichting	Seal
10	1	STM4783	Koppakking	Cil.head gasket
11	1	STM4541	Pakking	Gasket
12	1	STM4909	Pakking	Gasket
14	1	STM4752	Afdichting	Seal
15	1	STM4723	Pakking	Gasket
16	1	STM4722	Afdichting	Seal
17	1	STM4728	Pakking	Gasket
18	1	STM4935	Pakking	Gasket
19	1	STM4730	O-ring	O-ring
20	1	STM4730	O-ring	O-ring
21	1	STM4733	Pakking	Gasket
22	2	STM4984	Afdichting	Seal
23	1	STM4740	Pakking	Gasket
24	1	STM4753	Pakking	Gasket
25	1	STM4922	Ring	Washer
26	1	STM4759	Pakking	Gasket
27	1	STM4912	Pakking	Gasket
28	1	STM4983	Vloeibare pakking	Liquid gasket

groep/ group	blz./ page	type	omschrijving/description	datum/date
2	1	VH4.65 VH4.80	Pakkingset Gasket kit	31 01 02



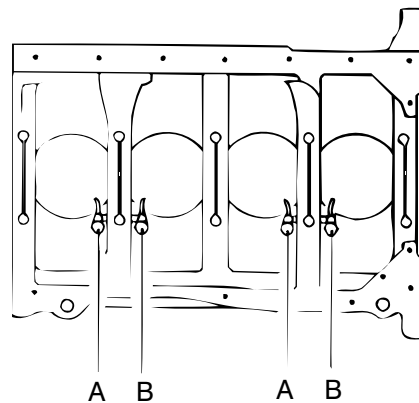
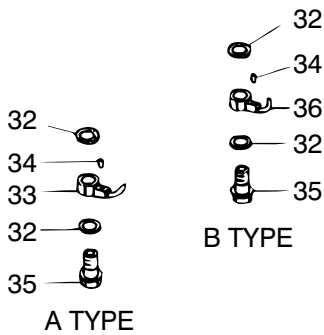
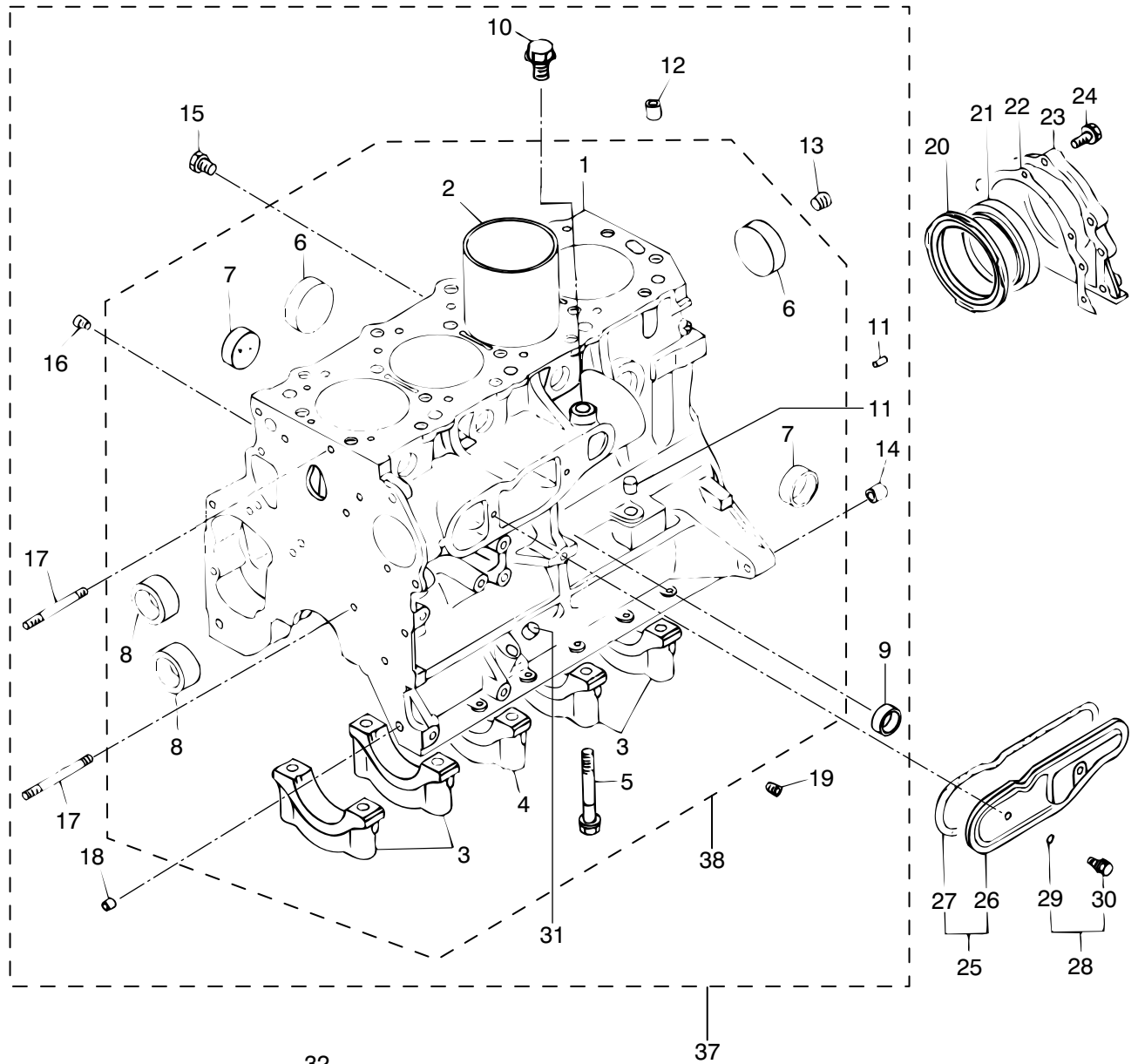
onderdelencatalogus parts catalogue



groep/ group	blz./ page	type	omschrijving/description	datum/date
2	2	VH4.65 VH4.80	Cylinderblok Cylinder block	06 03 02

pos.	qty	part	benaming	description
1	1	STM4702	Cylinderblok	Cilinder block
2	4	STM4703	Cylinderbus	Cilinder bush
3	4	STM4704	Lagerkap	Bearing cap
4	1	STM4705	Lagerkap	Bearing cap
5	10	STM4706	Bout	Bolt
6	2	STM4707	Afdichtkap 50	Sealing cap 50
7	4	STM4708	Afdichtkap 50	Sealing cap 50
8	2	STM4709	Lager	Bearing
9	5	STM4710	Afdichtkap 28	Sealing cap
10	1	STM4711	Bout	Bolt
11	2	STM4712	Paspen 6mm	Pin 6mm
12	2	STM4713	Pasbus 12x13	Bush 12x13
13	1	STM4714	Plug PT3/8	Plug PT3/8
14	2	STM4715	Pasbus 10mm	Bush 10mm
15	1	STM4716	Plug PT1/4	Plug PT1/4
16	1	STM4717	Plug PT1/8	Plug PT1/8
17	2	STM4718	Tapeind	Stud
18	4	STM4719	Pasbus 8x9	Bush 8x9
19	1	STM4720	Plug PT1/8	Plug PT1/8
20	1	STM4721	Olieseparator	Oil separator
21	1	STM4722	Oliekeerring	Oil sael
22	1	STM4723	Pakking	Gasket
23	1	STM4724	Deksel	Cover
24	5	STM4725	Bout 6x22	Bolt 6x22
25	1	STM4726	Deksel + pakking	Cover + gasket
26	1	STM4727	Deksel	Cover
27	1	STM4728	Pakking	Gasket
28	1	STM4729	O-ring + bout	O-ring + bolt
29	1	STM4730	O-ring	O-ring
30	1	STM4731	Bout 6x12	Bolt 6x12
31	1	STM4732	Plug	Plug
32	8	STM4733	Pakking	Gasket
33,34	2	STM4734	Jet ass, y-oil	Jet ass, y-oil
34	4	STM4735	Pen	Pin
35	4	STM4736	Klep	Valve
36	2	STM4737	Jet ass, y-oil	Jet ass, y-oil
37	1	STM4700	Cylinderblok	Cilinder block
38	1	STM4701	Cylinderblok	Cilinder block

groep/ group	blz./ page	type	omschrijving/description	datum/date
2	2	VH4.65 VH4.80	Cylinderblok Cylinder block	06 03 02



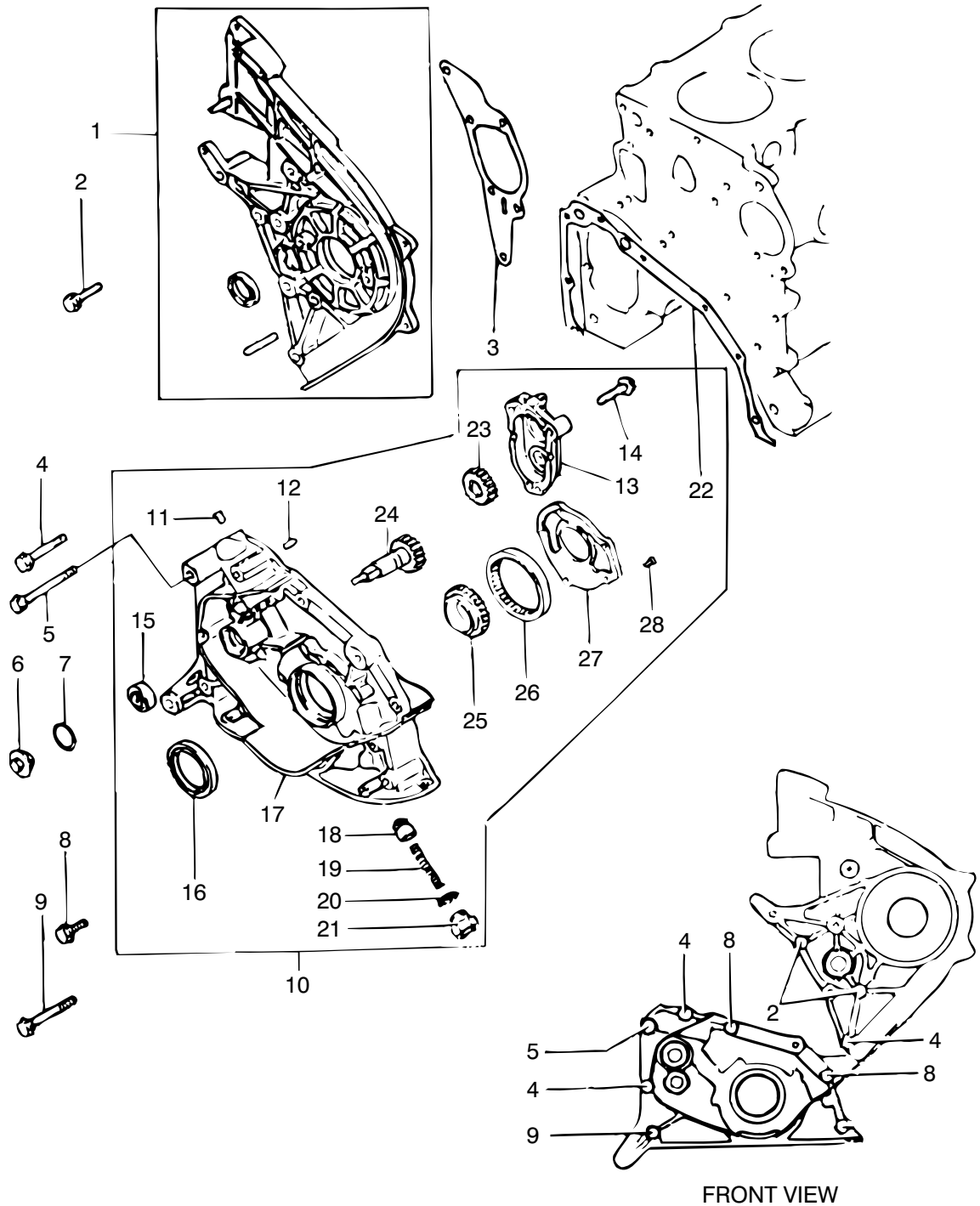
onderdelencatalogus parts catalogue



groep/ group	blz./ page	type	omschrijving/description	datum/date
2	3	VH4.65 VH4.80	Distributiedeksel Distribution cover	31 01 02

pos.	qty	part	benaming	description
1	1	STM4738	Deksel	Cover
2	2	STM4739	Bout 8x35	Bolt 8x35
3	1	STM4740	Pakking	Gasket
4	3	STM4741	Bout	Bolt
5	1	STM4742	Bout	Bolt
6	1	STM4743	Plug	Plug
7	1	STM4744	O-ring	O-ring
8	2	STM4745	Bout	Bolt
9	1	STM4746	Bout	Bolt
10	1	STM4747	Deksel compleet	Cover cpl.
11	1	STM4748	Plug	Plug
12	2	STM4749	Paspen 6 mm	Pin 6 mm
13	1	STM4750	Deksel	Cover
14	3	STM4751	Bout	Bolt
15	1	STM4752	Afdichting	Seal
16	1	STM4753	Afdichting	Seal
17	1	STM4754	Deksel	Cover
18	1	STM4755	Plunjer	Plunger
19	1	STM4756	Veer	Spring
20	1	STM4757	Pakking	Gasket
21	1	STM4758	Plug	Plug
22	1	STM4759	Pakking	Gasket
23	1	STM4760	Tandwiel	Gearwheel
24	1	STM4761	Tandwiel	Gearwheel
25	1	STM4762	Tandwiel	Gearwheel
26	1	STM4763	Tandwiel	Gearwheel
27	1	STM4764	Deksel	Cover
28	6	STM4765	Schroef	Screw

groep/ group	blz./ page	type	omschrijving/description	datum/date
2	3	VH4.65 VH4.80	Distributiedeksel Distribution cover	31 01 02



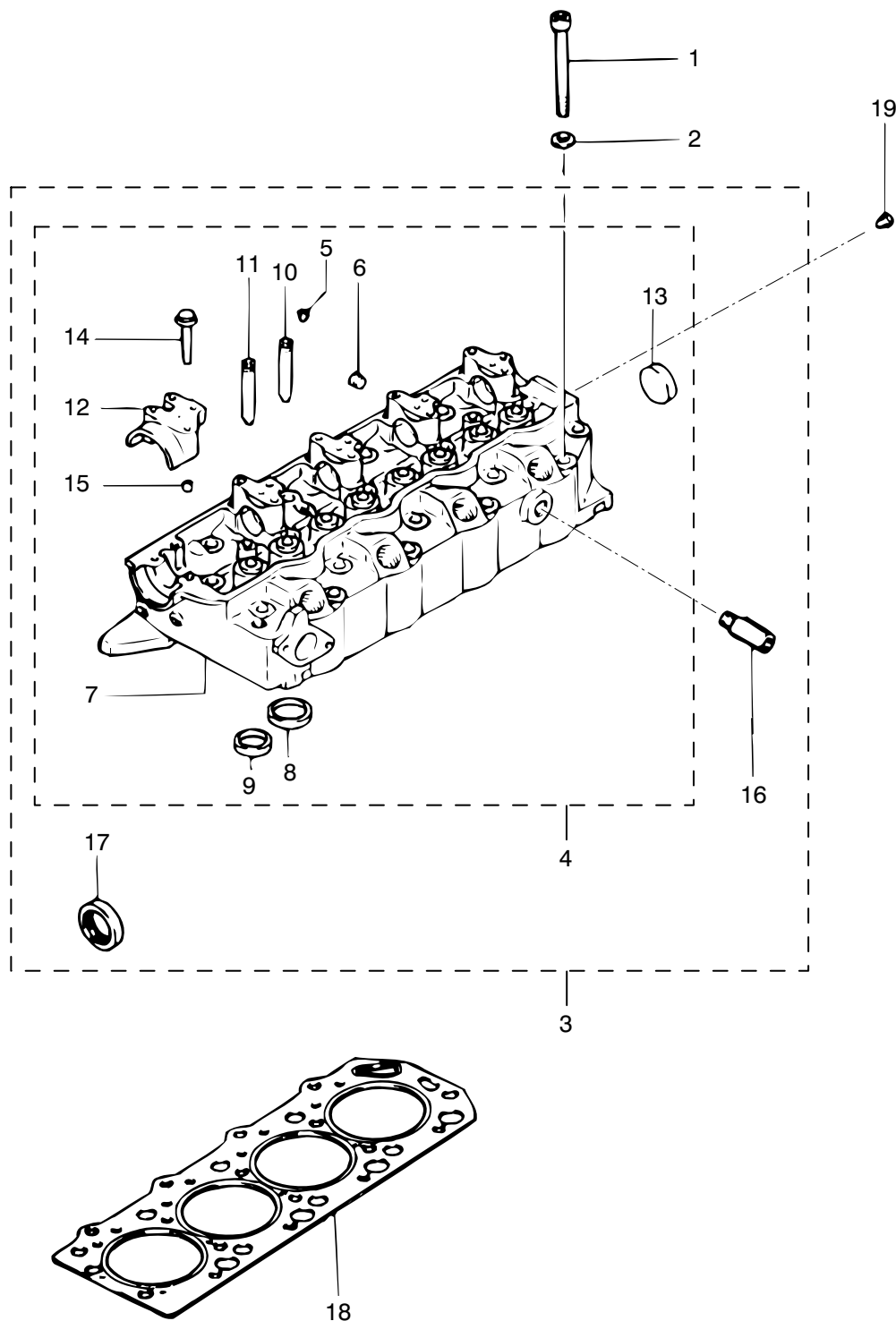
onderdelencatalogus parts catalogue



groep/ group	blz./ page	type	omschrijving/description	datum/date
2	4	VH4.65 VH4.80	Cylinderkop Cylinder head	31 01 02

pos.	qty	part	benaming	description
1	18	STM4766	Bout	Bolt
2	18	STM4767	Ring	Washer
3	1	STM4768	Cylinderkop	Cilinder head
4	1	STM4769	Cylinderkop	Cilinder head
5	1	STM4770	Plug	Plug
6	4	STM4771	Plug	Plug
7	1	STM4772	Cylinderkop	Cilinder head
8	4	STM4773	Klepzitting INLAAT	Valve seat INLET
9	4	STM4774	Klepzitting UITLAAT	Valve seat EXHAUST
10	4	STM4775	Klepgeleider INLAAT	Valve guide INLET
11	4	STM4776	Klepgeleider UITLAAT	Valve guide EXHAUST
12	1	STM4777	Steun	Support
13	1	STM4778	Afdichtkap	Sealing cap
14	8	STM4779	Bout 8x50	Bolt 8x50
15	10	STM4780	Bus 8 mm	Bush 8 mm
16	1	STM4781	Pijp	Pipe
17	1	STM4782	Oliekeerring	Oil seal
18	1	STM4783	Koppakking	Cilinder head gasket
19	1	STM4784	Plug PT1/16	Plug PT1/16

groep/ group	blz./ page	type	omschrijving/description	datum/date
2	4	VH4.65 VH4.80	Cylinderkop Cylinder head	31 01 02



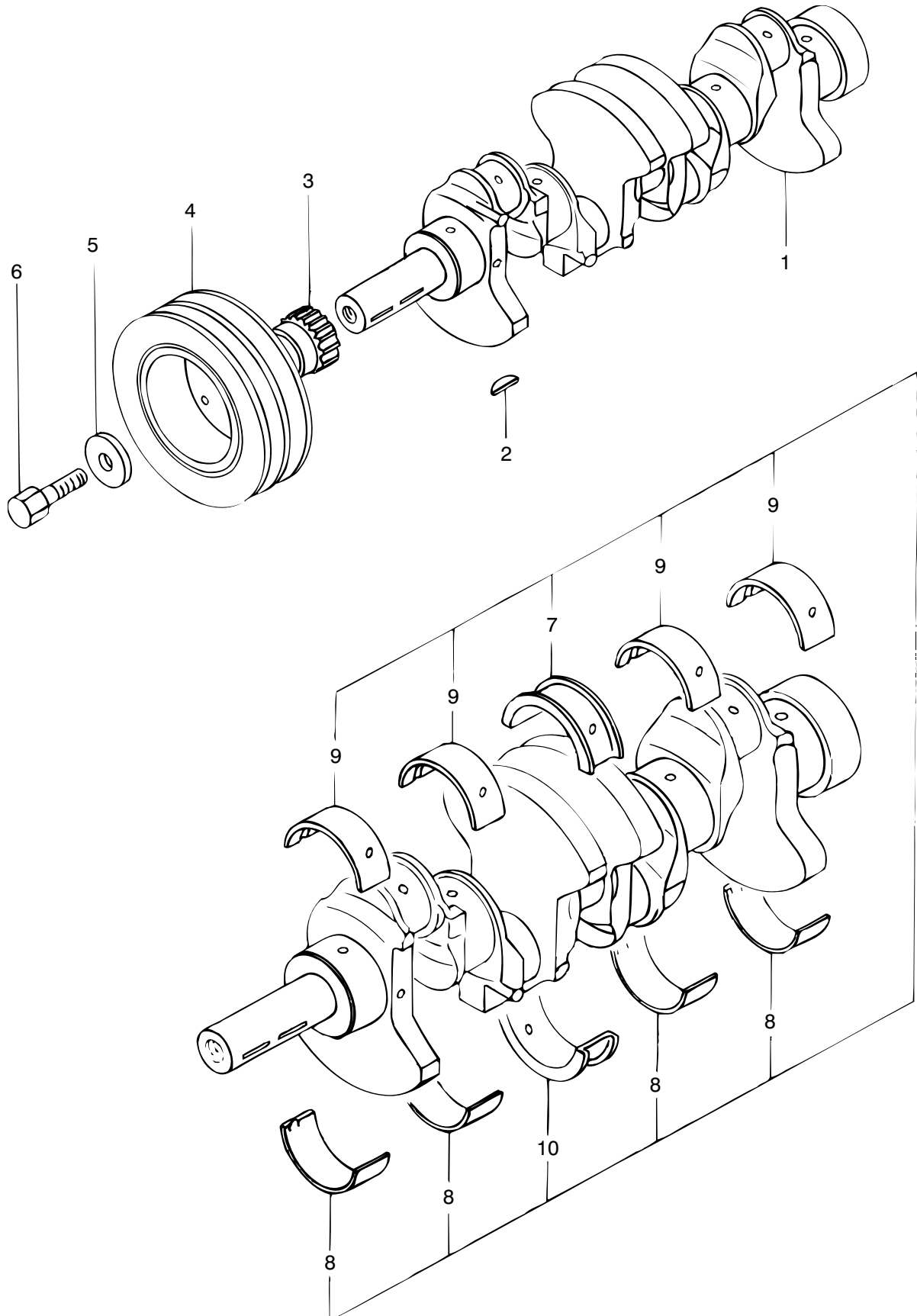
onderdelencatalogus parts catalogue



groep/ group	blz./ page	type	omschrijving/description	datum/date
2	5	VH4.65 VH4.80	Krukas Crank shaft	31 01 02

pos.	qty	part	benaming	description
1	1	STM4785	Krukas	Crank shaft
2	1	STM4786	Spie	Key
3	1	STM4787	As	Shaft
4	1	STM4788	Demper/snaarschijf	Damper/pulley
5	1	STM4789	Bout	Bolt
6	1	STM4790	Ring	Washer
7	1	STM4791	Lager STD1	Bearing STD1
		STM4792	Lager STD2	Bearing STD2
		STM4793	Lager STD3	Bearing STD3
		STM4794	Lager STD4	Bearing STD4
		STM4795	Lager STD5	Bearing STD5
8	1	STM4796	Lager STD1	Bearing STD1
		STM4797	Lager STD2	Bearing STD2
		STM4798	Lager STD3	Bearing STD3
		STM4799	Lager STD4	Bearing STD4
		STM4800	Lager STD5	Bearing STD5
9	1	STM4801	Lager STD1	Bearing STD1
		STM4802	Lager STD2	Bearing STD2
		STM4803	Lager STD3	Bearing STD3
		STM4804	Lager STD4	Bearing STD4
		STM4805	Lager STD5	Bearing STD5
10	1	STM4806	Lager STD1	Bearing STD1
		STM4807	Lager STD2	Bearing STD2
		STM4808	Lager STD3	Bearing STD3
		STM4809	Lager STD4	Bearing STD4
		STM4810	Lager STD5	Bearing STD5

groep/ group	blz./ page	type	omschrijving/description	datum/date
2	5	VH4.65 VH4.80	Krukas Crank shaft	31 01 02



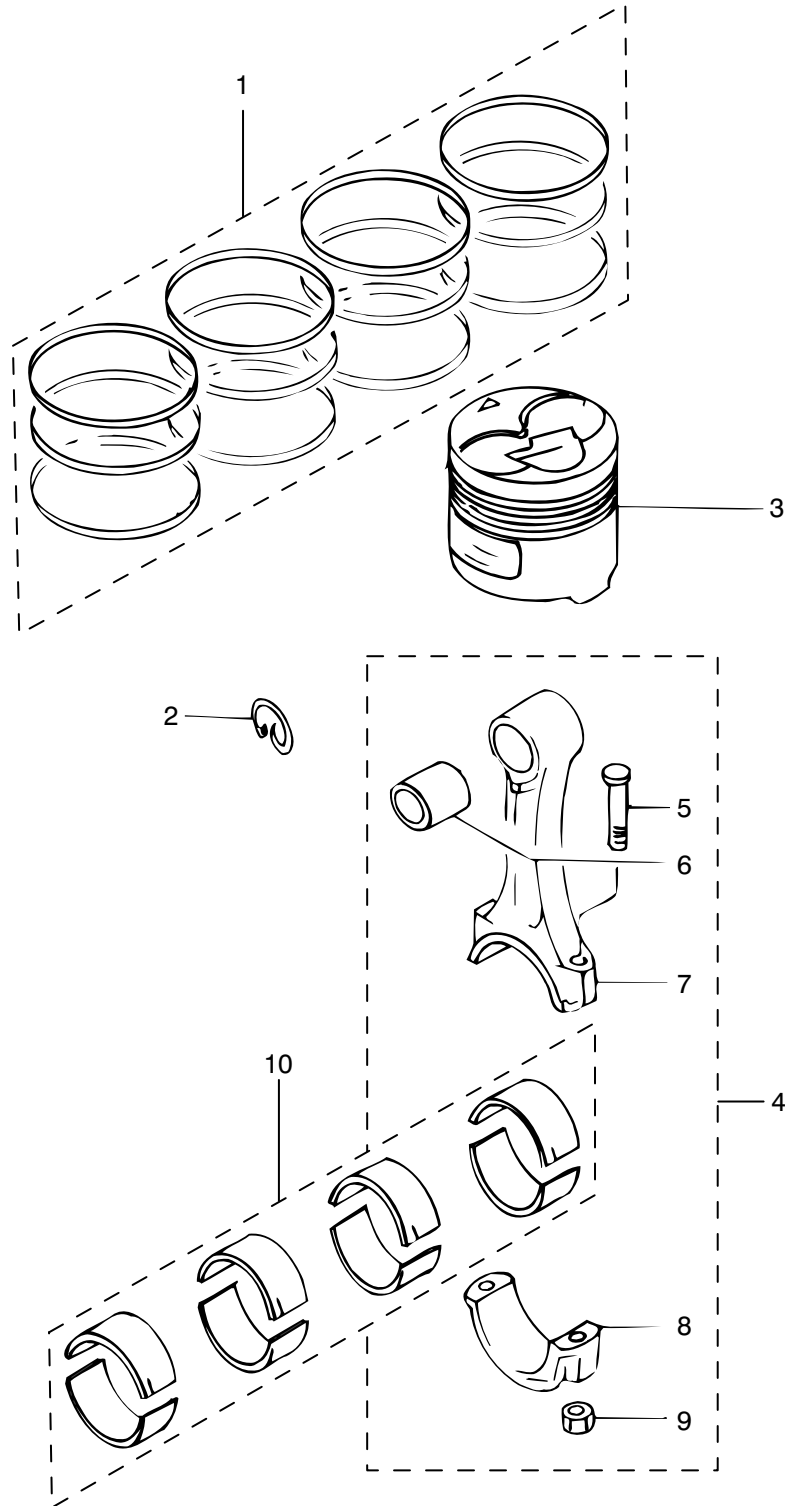
onderdelencatalogus parts catalogue



groep/ group 2	blz./ page 6	type VH4.65 VH4.80	omschrijving/description Zuiger + drijfstang Piston + connection rod	datum/date 31 01 02
----------------------	--------------------	--------------------------	--	------------------------

pos.	qty	part	benaming	description
1	1	STM4811	Set zuigerveren STD	Ring set piston STD
		STM4812	Set zuigerveren O/S 0,25	Ring set piston O/S 0,25
		STM4813	Set zuigerveren O/S 0,50	Ring set piston O/S 0,50
		STM4814	Set zuigerveren O/S 0,75	Ring set piston O/S 0,75
		STM4815	Set zuigerveren O/S 1,00	Ring set piston O/S 1,00
	4	STM4816	Zuigerveer no.1 STD	Ring piston no.1 STD
		STM4817	Zuigerveer no.1 O/S 0,25	Ring piston no.1 O/S 0,25
		STM4818	Zuigerveer no.1 O/S 0,50	Ring piston no.1 O/S 0,50
		STM4819	Zuigerveer no.1 O/S 0,75	Ring piston no.1 O/S 0,50
		STM4820	Zuigerveer no.1 O/S 1,00	Ring piston no.1 O/S 1,00
	4	STM4821	Zuigerveer no.2 STD	Ring piston no.2 STD
		STM4822	Zuigerveer no.2 O/S 0,25	Ring piston no.2 O/S 0,25
		STM4823	Zuigerveer no.2 O/S 0,50	Ring piston no.2 O/S 0,50
		STM4824	Zuigerveer no.2 O/S 0,75	Ring piston no.2 O/S 0,75
		STM4825	Zuigerveer no.2 O/S 1,00	Ring piston no.2 O/S 1,00
	4	STM4826	Olieschraapveer STD	Scraper ring STD
		STM4827	Olieschraapveer O/S 0,25	Scraper ring O/S 0,25
		STM4828	Olieschraapveer O/S 0,50	Scraper ring O/S 0,50
		STM4829	Olieschraapveer O/S 0,75	Scraper ring O/S 0,75
		STM4830	Olieschraapveer O/S 1,00	Scraper ring O/S 1,00
2	8	STM4831	Borgveer	Circlip
3	4	STM4832	Zuiger + pen STD A	Piston + pin STD A
		STM4833	Zuiger + pen STD B	Piston + pin STD B
		STM4834	Zuiger + pen STD C	Piston + pin STD C
4	4	STM4835	Drijfstang	Connection rod
5	2	STM4836	Bout	Bolt
6	1	STM4837	Pen	Pin
7	1	STM4838	Drijfstang	Connection rod
8	1	STM4839	Kap	Cap
9	2	STM4840	Moer	Nut
10	8	STM4841	Lager STD G	Bearing STD G

groep/ group	blz./ page	type	omschrijving/description	datum/date
2	6	VH4.65 VH4.80	Zuiger + drijfstang Piston + connection rod	31 01 02



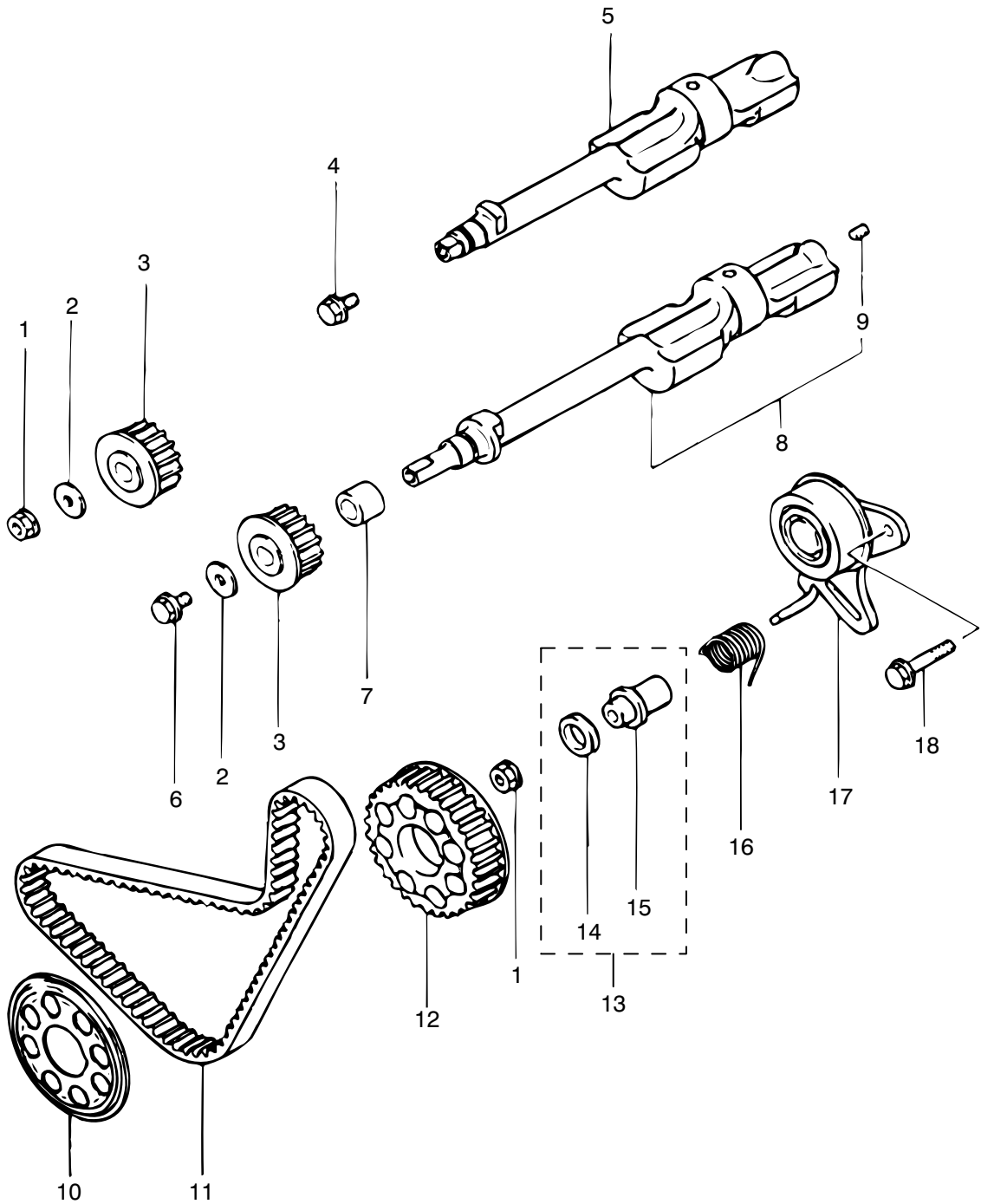
onderdelencatalogus parts catalogue



groep/ group	blz./ page	type	omschrijving/description	datum/date
2	7	VH4.65 VH4.80	Balansas Balanger shaft	31 01 02

pos.	qty	part	benaming	description
1	2	STM4842	Moer	Nut
2	2	STM4843	Ring	Washer
3	2	STM4844	Tandwiel	Gearwheel
4	1	STM4845	Bout	Bolt
5	1	STM4846	Balansas rechts	Balanger shaft right
6	1	STM4847	Bout	Bolt
7	1	STM4748	Bus	Bush
8	1	STM4849	Balansas links	Balanger shaft left
9	1	STM4850	Plug	Plug
10	1	STM4551	Flens	Flange
11	1	STM4852	Riem	Belt
12	1	STM4853	Tandwiel	Gearwheel
13	1	STM4854	Pakking + afstandbus	Gasket + spacer
14	1	STM4855	Pakking	Gasket
15	1	STM4856	Afstandbus	Spacer
16	1	STM4857	Veer	Spring
17	1	STM4858	Spanner	Tensioner
18	1	STM4859	Bout 8x16-10T	Bolt 8x16-10T

groep/ group	blz./ page	type	omschrijving/description	datum/date
2	7	VH4.65 VH4.80	Balansas Balancer shaft	31 01 02



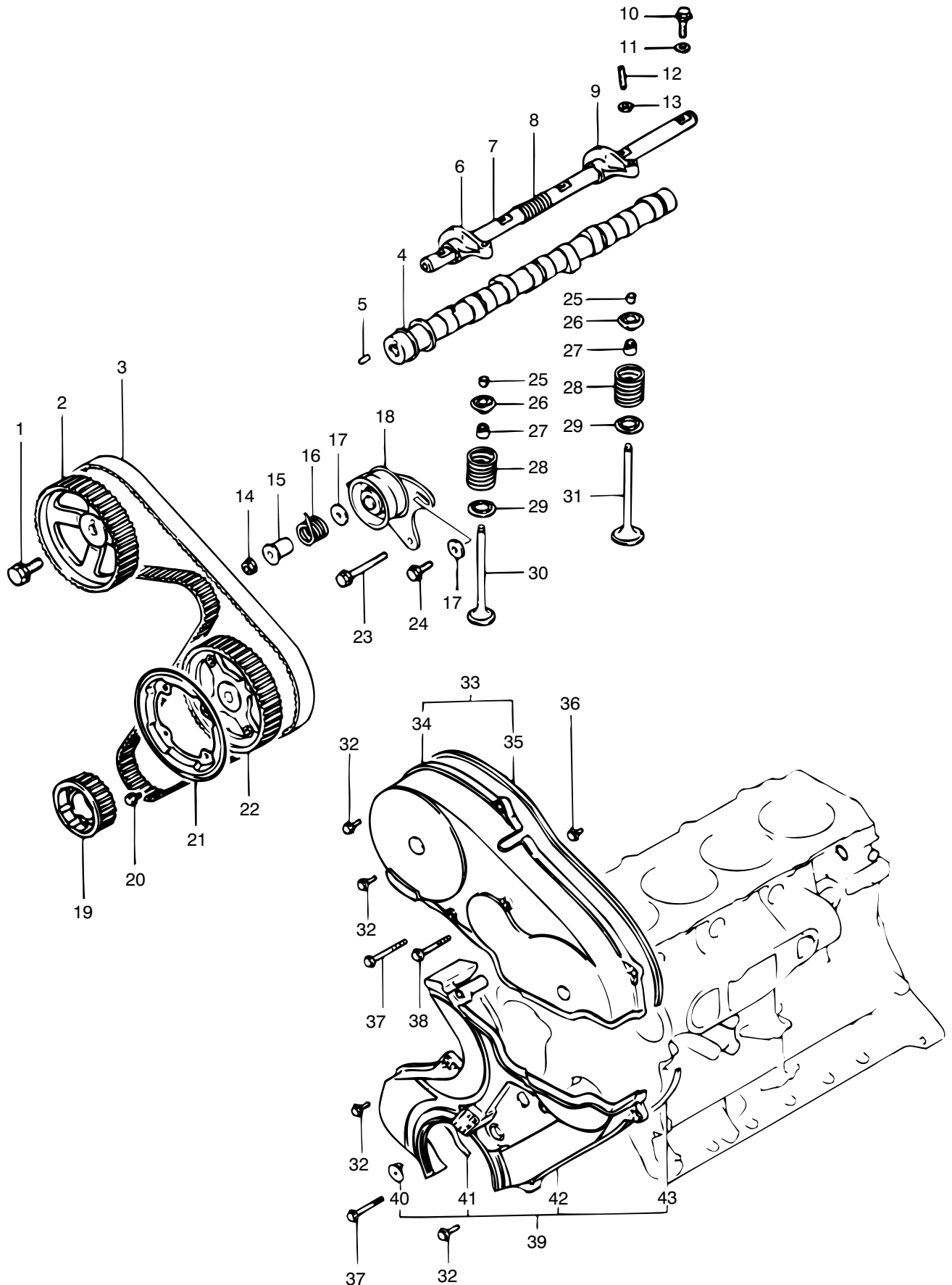
onderdelencatalogus parts catalogue



groep/ group	blz./ page	type	omschrijving/description	datum/date
2	8	VH4.65 VH4.80	Nokkenas Camshaft	31 01 02

pos.	qty	part	benaming	description
1	1	STM4860	Bout	Bolt
2	1	STM4861	Tandwiel	Gearwheel
3	1	STM4862	Riem	Belt
4	1	STM4863	Nokkenas	Camshaft
5	1	STM4864	Pen	Pin
6	4	STM4865	Tuimelaar inlaat	Rocker arm inlet
7	1	STM4866	Tuimelaaras	Rocker shaft
8	4	STM4867	Veer	Spring
9	4	STM4868	Tuimelaar uitlaat	Rocker arm exhaust
10	1	STM4869	Bout	Bolt
11	1	STM4870	Ring	Washer
12	8	STM4871	Stelschroef	Adj.screw
13	8	STM4872	Moer	Nut
14	1	STM4873	Moer	Nut
15	1	STM4874	Afstandbus	Spacer
16	1	STM4875	Veer	Spring
17	2	STM4876	Ring	Washer
18	1	STM4877	Spanner	Tensioner
19	1	STM4878	Tandwiel	Gearwheel
20	4	STM4879	Bout 8x12	Bolt 8x12
21	1	STM4880	Flens	Flange
22	1	STM4881	Tandwiel	Gearwheel
23	1	STM4882	Bout	Bolt
24	1	STM4883	Bout	Bolt
25	16	STM4884	Borging	Lock
26	8	STM4885	Geleiding	Guide
27	8	STM4886	Afdichting	Seal
28	8	STM4887	Veer	Spring
29	8	STM4888	Zitting	Seat
30	4	STM4889	Klep inlaat	Valve inlet
31	4	STM4890	Klep uitlaat	Valve exhaust
32	7	STM4891	Bout 6x22	Bolt 6x22
33	1	STM4892	Deksel + pakking	Cover + gasket
34	1	STM4893	Deksel	Cover
35	1	STM4894	Pakking	Gasket
36	1	STM4895	Bout 6x12	Bolt 6x12
37	2	STM4896	Bout	Bolt
38	1	STM4897	Bout	Bolt
39	1	STM4898	Deksel cpl.	Cover cpl.
40	1	STM4899	Afdichting	Plug
41	1	STM4900	Pakking	Gasket
42	1	STM4901	Deksel	Cover
43	1	STM4902	Pakking	Gasket

groep/ group	blz./ page	type	omschrijving/description	datum/date
2	8	VH4.65 VH4.80	Nokkenas Camshaft	31 01 02



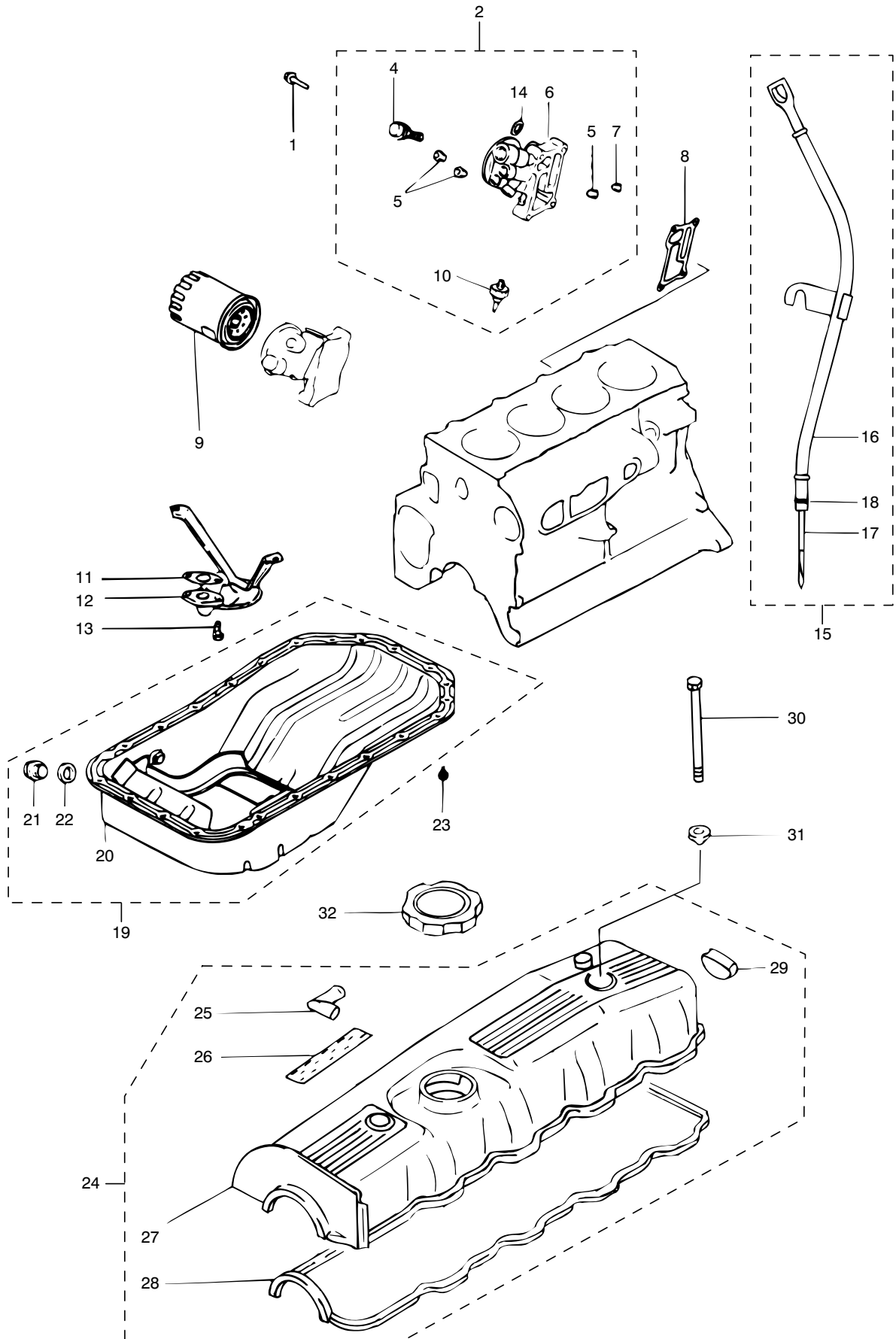
onderdelencatalogus parts catalogue



groep/ group	blz./ page	type	omschrijving/description	datum/date
2	9	VH4.65 VH4.80	Carterpan + kleppendecksel Oil pan + rocker cover	31 01 02

pos.	qty	part	benaming	description
1	4	STM4903	Bout	Bolt
2	1	STM4904	Oliefilterhuis cpl.	Oilfilter case cpl.
4	1	STM4905	Thermostaat by-pass	Thermostat by-pass
5	2	STM4906	Plug PT3/8	Plug PT3/8
6	1	STM4907	Oliefilterhuis	Oilfilter case
7	1	STM4908	Plug PT1/4	Plug PT1/4
8	1	STM4909	Pakking	Gasket
9	1	STM4910	Oliefilter	Oilfilter
10	1	STM4911	Oliedrukschakelaar (Hyundai)	Oil pressure switch (Hyundai)
11	1	STM4912	Pakking	Gasket
12	1	STM4913	Olie aanzuigpijp	Oil suction pipe
13	4	STM4914	Bout	Bolt
14	1	STM4915	Gasket	Gasket
15	1	STM4916	Pijlstok cpl.	Dipstick cpl.
16	1	STM4917	Pijp	Pipe
17	1	STM4918	Pijlstok	Dipstick
18	1	STM4919	O-ring	O-ring
19	1	STM4920	Carterpan cpl.	Oil pan cpl.
20	1	STM4921	Carterpan	Oil pan
21	1	STM4922	Plug	Plug
22	1	STM4923	Afdichtring	Seal washer
23	24	STM4924	Bout	Bolt
24	1	STM4925	Kleppendecksel cpl.	Rocker cover cpl.
25	1	STM4926	Pijp	Pipe
26	1	STM4927	Typeplaatje	Model plate
27	1	STM4928	Kleppendecksel	Rocker cover
28	1	STM4929	Pakking	Gasket
29	1	STM4930	Afdichting	Seal
30	2	STM4931	Bout	Bolt
31	2	STM4932	Afdichting	Seal
32	1	STM4933	Dop	Cover

groep/ group	blz./ page	type	omschrijving/description	datum/date
2	9	VH4.65 VH4.80	Carterpan + kleppendeksel Oil pan + rocker cover	31 01 02



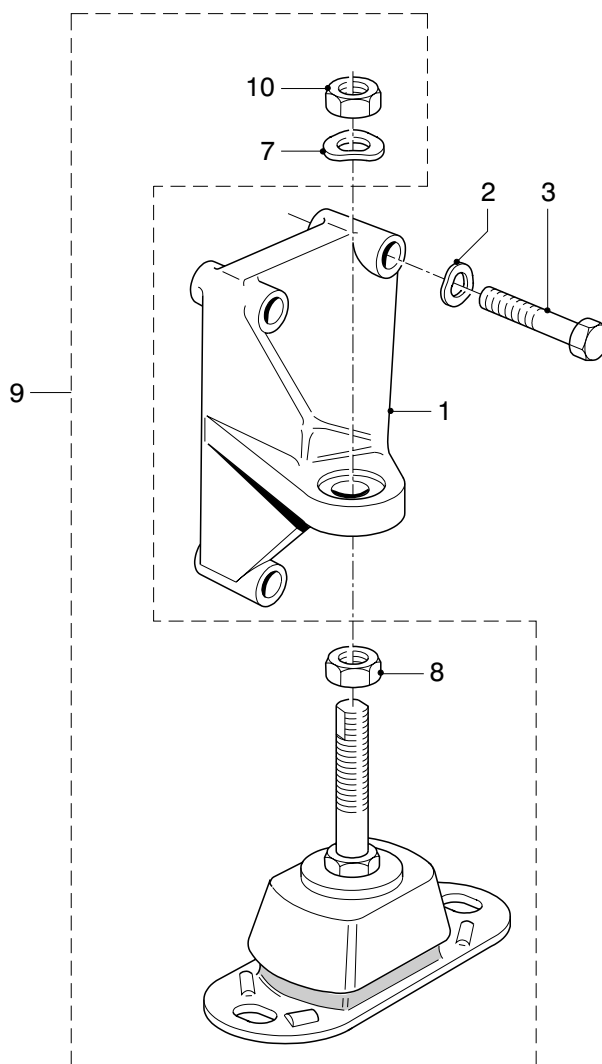
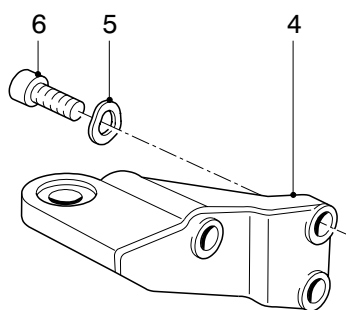
onderdelencatalogus parts catalogue



groep/ group 2	blz./ page 10	type VH4.65 VH4.80	omschrijving/description Motorsteunen Engine supports	datum/date 19 03 02
----------------------	---------------------	--------------------------	---	------------------------

pos.	qty	part	benaming	description
1	1	STM4681	Voorsteun BB	Engine support PS
2	3	STM4061	Gegolfde veerring M10	Wave spring washer M10
3	3	STM4684	Bout M10x1,25x60	Bolt M10x1,25x60
4	1	STM4682	Voorsteun SB	Engine support SB
5	3	STM4061	Gegolfde veerring M10	Wave spring washer M10
6	3	STM4683	Inbusbout M10x1,25x30	Allen screw M10x1,25x30
7	1	STM4642	Gegolfde veerring M16	Wave spring washer M16
8	1	STM4641	Moer M16x2	Nut M16x2
9	2	STM4640	Trillingdemper	Engine mount
10	1	STM4643	Zelfborgende moer M16x2	Nyloc nut M16x2

groep/ group	blz./ page	type	omschrijving/description	datum/date
2	10	VH4.65 VH4.80	Motorsteunen Engine supports	19 03 02



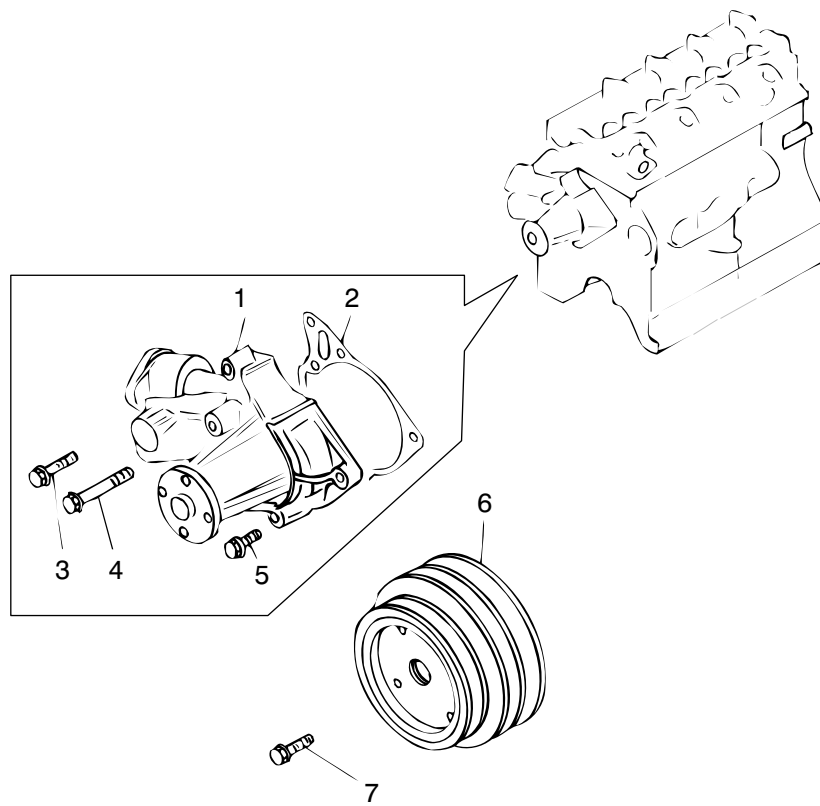
onderdelencatalogus parts catalogue



groep/ group 3	blz./ page 1	type VH4.65 VH4.80	omschrijving/description Circulatiepomp Circulation pump	datum/date 31 01 02
----------------------	--------------------	--------------------------	--	------------------------

pos.	qty	part	benaming	description
1	1	STM4934	Circulatiepomp cpl.	Circulation pump cpl.
2	1	STM4935	Pakking	Gasket
3	4	STM4936	Bout	Bolt
4	1	STM4937	Bout	Bolt
5	1	STM4938	Bout	Bolt
6	1	STM4939	Snaarschijf	Pulley
7	4	STM4940	Bout	Bolt

groep/ group	blz./ page	type	omschrijving/description	datum/date
3	1	VH4.65 VH4.80	Circulatiepomp Circulation pump	31 01 02



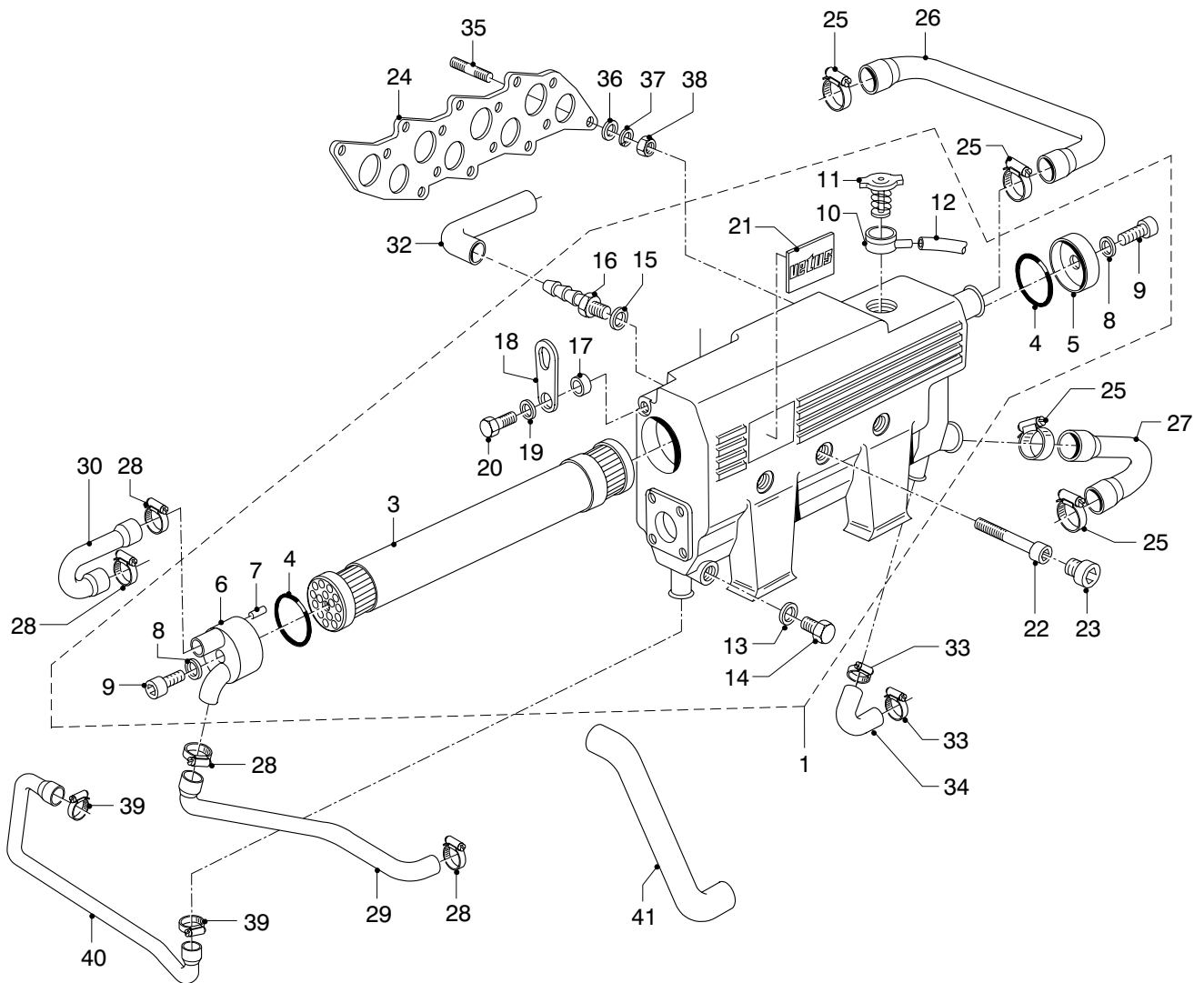
onderdelencatalogus parts catalogue



groep/ group	blz./ page	type	omschrijving/description	datum/date
3	2	VH4.65 VH4.80	Warmtewisselaar unit Heatexchanger unit	12 03 02

pos.	qty	part	benaming	description
1	1	STM4506	Warmtewisselaar compleet	Heatexchanger cpl.
2	1	STM4504	Warmtewisselaarhuis	Heatexchanger housing
3	1	STM4505	Pijpenbundel	Tube stack
4	2	STM6113	O-ring 61x2,5	O-ring 61x2,5
5	1	STM6132	Omkeerdeksel	Cover
6	1	STM6503	Aansluitdeksel	Cover
7	1	STM6130	Spanbus	Busch
8	2	STM1007	Afdichtring	Seal washer
9	2	STM1006	Inbusbout M8x30	Allen screw M8x30
10	1	STM6108	Vulnek	Filler neck
11	1	STM1017	Vuldop 0,5 Bar	Filler cap 0,5 bar
12	1	STM1027	Slang	Hose
13	1	STM1062	Afdichtring	Seal washer
14	1	STM1059	Afdichtplug M14x1,5	Plug M14x1,5
15	1	STM9024	Afdichtring	Seal washer
16	1	STM4516	Slangpilaar G1/4-15mm	Hose pillar G1/4-15mm
17	1	CT30059	Ring d=4	Washer d=4
18	1	STM4518	Hijsoog	Lifting eye
19	1	STM1056	Veerring M8	Spring washer M8
20	1	STM1610	Bout M8x25	Bolt M8x25
21	1	STM6531	Logo plaatje	Type plate
22	4	STM4517	Inbusbout lage kop M8x100	Allen screw low head M8x100
23	3	STM4503	Plug M22x1,5	Plug M22x1,5
24	1	STM4980	Pakking	Gasket
25	4	STM3005	Slangklem 32-44	Hose clamp 32-44
26	1	STM4621	Slang cylinderkop naar ww	Hose cyl. head to heat exchanger
27	1	STM4622	Slang van ww naar thermostaat	Hose from heatex. to thermostat housing
28	4	STM3005	Slangklem 32-44	Hose clamp 32-44
29	1	STM4627	Slang van oliekoeler naar ww	Hose from oilcooler to heatex.
30	1	STM4625	Slang van ww naar injectiebocht	Hose from heatex. to inj. elbow
32	1	STM4620	Slang carterontluchting	Hose crankcase bleeding
33	2	STM2012	Slangklem 19-28	Hose clamp 19-28
34	1	STM4624	Slang by-pass/ ww uit	Hose by-pass/heatex. out
35	4	STM2003	Tapeind M8x25	Stud M8x25
36	4	STM4619	Ring M8	Washer M8
37	4	STM1056	Veerring M8	Spring washer M8
38	4	STM2005	Moer M8	Nut M8
39	2	STM2012	Slangklem 19-28	Hose clamp 19-28
40	1	STM4623	Slang by-pass/ ww in	Hose by-pass/heatex. in
41	1	STM4630	Slang van motoroliekoeler naar kk oliekoeler	Hose from cooler to cooler

groep/ group	blz./ page	type	omschrijving/description	datum/date
3	2	VH4.65 VH4.80	Warmtewisselaar unit Heatexchanger unit	12 03 02



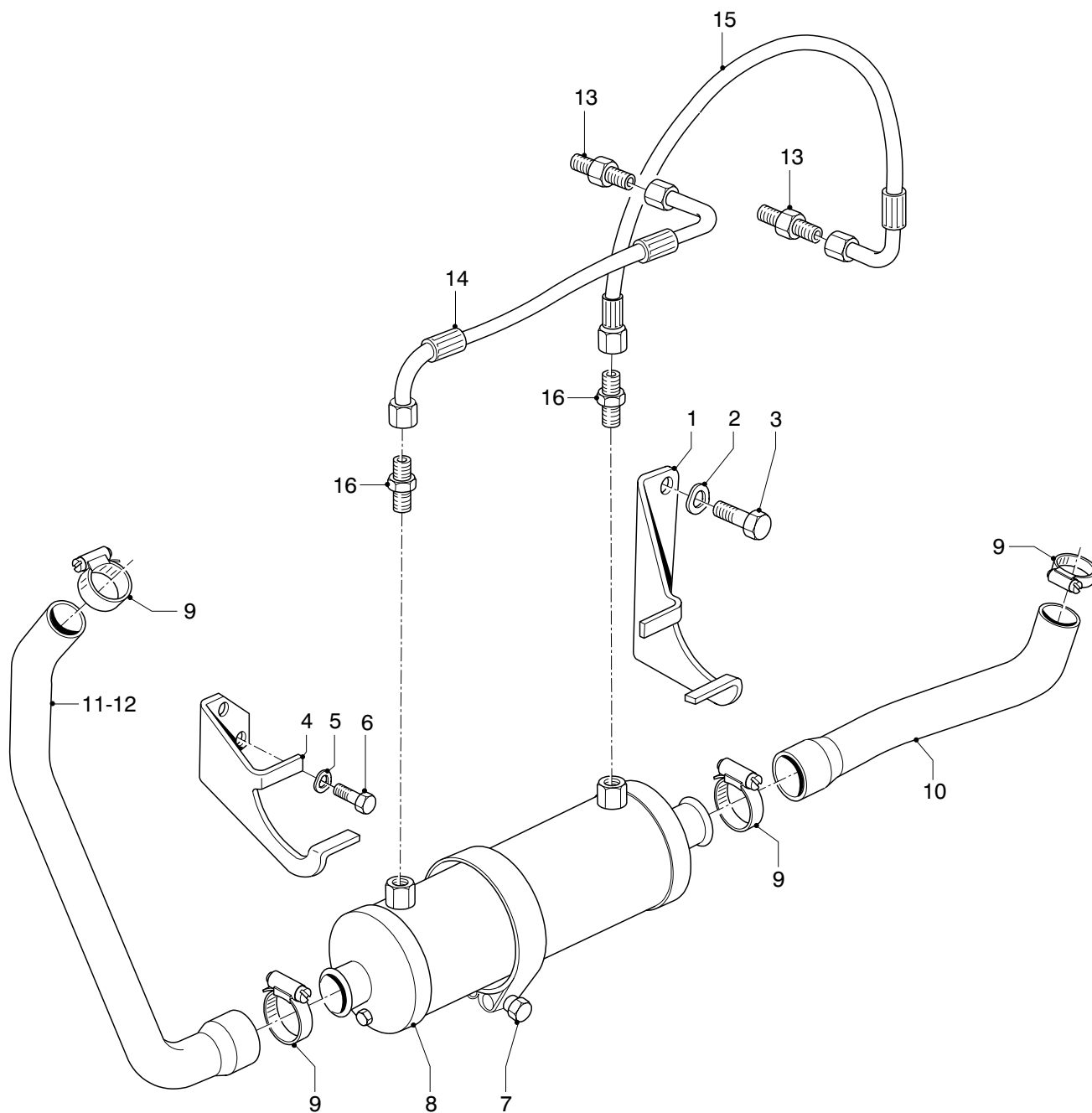
onderdelencatalogus parts catalogue



groep/ group	blz./ page	type	omschrijving/description	datum/date
3	3	VH4.65 VH4.80	Motoroliekoeler Engine oilcooler	27 03 02

pos.	qty	part	benaming	description
1	1	STM4633	Bevestigingssteun voorzijde	Support front side
2	2	STM4014	Veerring M10	Spring washer M10
3	2	STM9060	Bout M10x1,25x20	Bolt M10x1,25x20
4	1	STM4634	Bevestigingssteun achterzijde	Support back side
5	2	STM1025	Gegolfde veerring M6	Wave spring washer M6
6	2	STM1029	Bout M6x12	Bolt M6x12
7	2	STM4635	Klem	Clamp
8	1	STM4636	Motoroliekoeler 9"xø75- G 3/8-ø33 (<- 04-02)	Engine oilcooler 9"xø75- G 3/8-ø33 (<- 04-02)
		STM4995	Motoroliekoeler 9"xø75- G 1/2-ø33	Engine oilcooler 9"xø75- G 1/2-ø33
9	4	STM3005	Slangklem 32-44	Hose clamp 32-44
10	1	STM4626	Slang van zeewaterpomp naar motoroliekoeler	Hose from rawwaterpump to engine oilcooler
11	1	STM4627	Slang van motoroliekoeler naar ww	Hose from engine oilcooler to heatexchanger
12	1	STM4630	Slang van motoroliekoeler naar kk oliekoeler	Hose from engine oilcooler to gearbox oilcooler
13	2	STM4988	Nippel M16x1,5 - M16x1,5	Nipple M16x1,5 - M16x1,5
14	1	STM4989	Olieslang motor uit	Oil hose engine out
15	1	STM4990	Olieslang motor in	Oil hose engine in
16	2	STM4694	Nippel G 1/2 - G 3/8 (<- 04-02)	Nipple G 1/2 - G 3/8 (<- 04-02)
	2	STM4991	Nippel G 1/2 - G 1/2	Nipple G 1/2 - G 1/2

groep/ group	blz./ page	type	omschrijving/description	datum/date
3	3	VH4.65 VH4.80	Motoroliekoeler Engine oilcooler	27 03 02



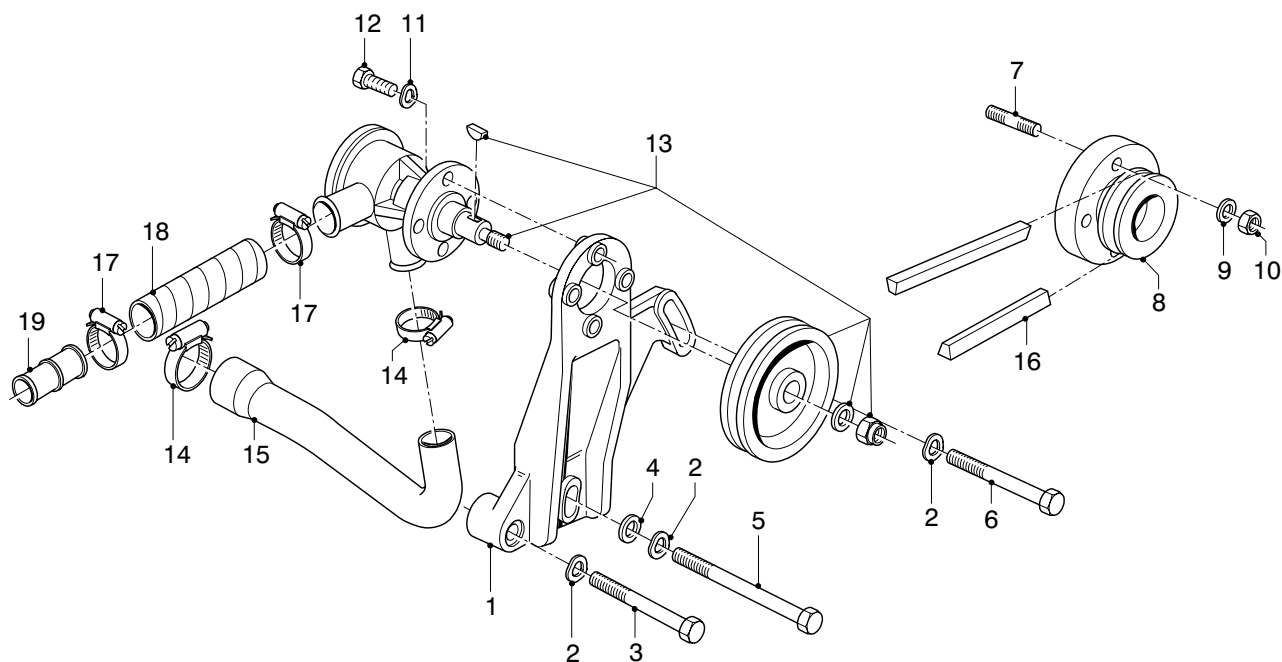
onderdelencatalogus parts catalogue



groep/ group 3	blz./ page 4	type VH4.65 VH4.80	omschrijving/description Zeewaterpomp bevestiging Seawaterpump fastening	datum/date 20 03 02
----------------------	--------------------	--------------------------	--	------------------------

pos.	qty	part	benaming	description
1	1	STM4520	Steun	Support
2	3	STM1019	Gegolfde veerring M8	Wave spring washer M8
3	1	STM3526	Bout M8x100	Bout M8x100
4	4	STM3749	Ring M8	Washer M8
5	1	STM6121	Bout M8x110	Bolt M8x110
6	1	STM8126	Bout M8x90	Bolt M8x90
7	4	STM2003	Tapeind M8x25	Stud M8x25
8	1	STM4521	V-snaarschijf	V-belt
9	4	STM1056	Veerring M8	Spring washer M8
10	4	STM2005	Moer M8	Nut M8
11	4	STM1606	Gegolfde veerring M7	Wave spring washer M7
12	4	STM7003	Bout M7x20	Bolt M7x20
13	1	STM4522	Zeewaterpomp full cam	Seawater pump full cam
14	2	STM3005	Slangklem 32-44	Hose clamp 32-44
15	1	STM4626	Slang van zeewaterpomp naar oliekoeler	Hose rawwaterpump to oilcooler
16	1	STM4523	V-snaar 10x780	V-belt 10x780
17	2	STM3005	Slangklem 32-44	Hose clamp 32-44
18	1	STM4671	Slang	Hose
19	1	STM4672	Verloop 28,5-25	Adapter 28,5-25

groep/ group	blz./ page	type	omschrijving/description	datum/date
3	4	VH4.65 VH4.80	Zeewaterpomp bevestiging Seawaterpump fastening	20 03 02



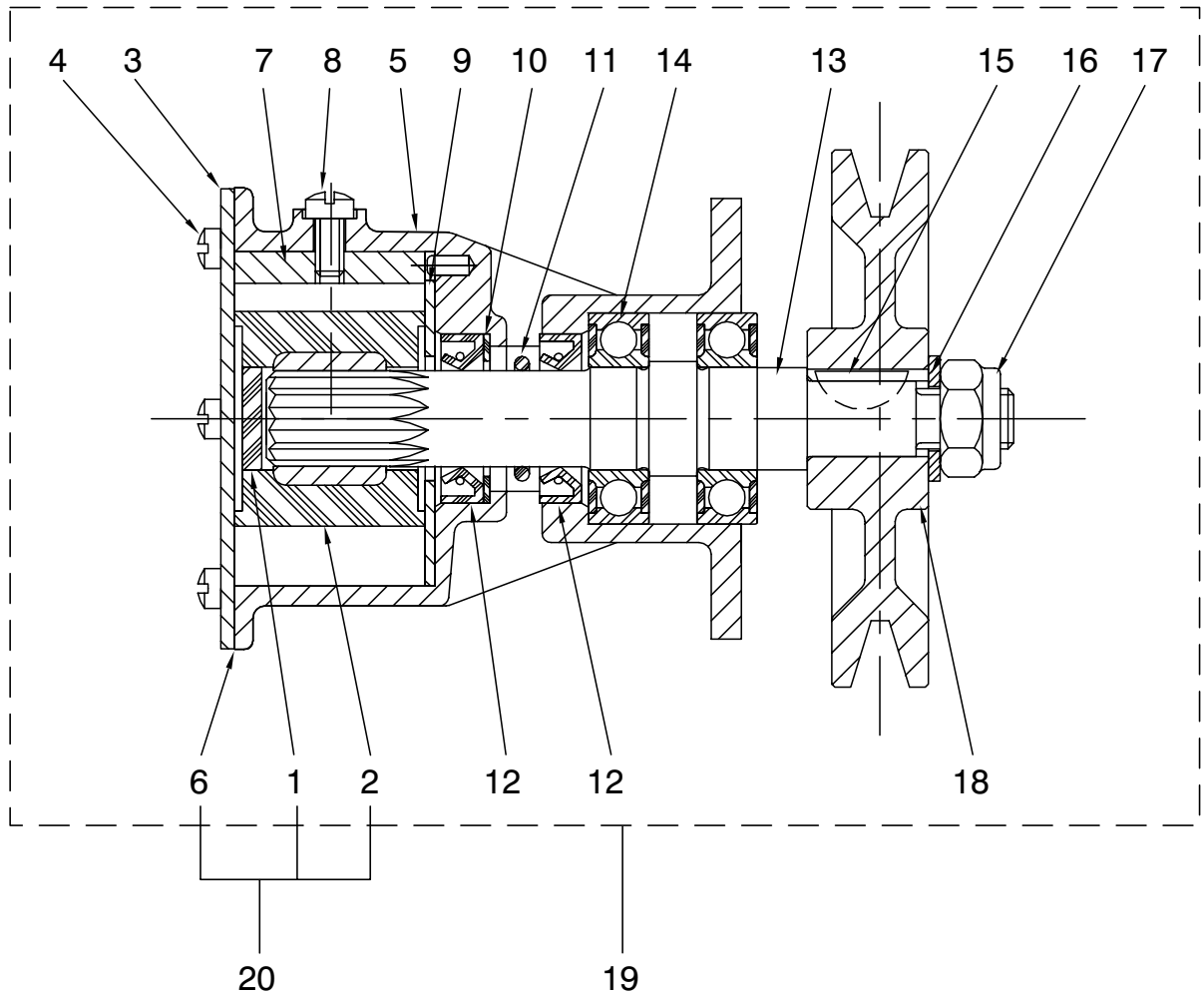
onderdelencatalogus parts catalogue



groep/ group 3	blz./ page 5	type VH4.65 VH4.80	omschrijving/description Zeewaterpomp Seawater pump	datum/date 19 03 02
----------------------	--------------------	--------------------------	---	------------------------

pos.	qty	part	benaming	description
1	1	STM4651	Plug	Spline plug
2	1	STM4652	Impeller	Impeller
3	1	STM4653	Einddeksel	End cover
4	6	STM4654	Einddeksel bout	End cover screw
5	1	STM4655	Huis	Body
6	1	STM4656	Pakking	Gasket
7	1	STM4657	Kam (full cam) 5,35 mm	Cam (full cam) 5,35 mm
8	1	STM4658	Kam schroef	Cam screw
9	1	STM4659	Slijtplaat	Wear plate
10	1	STM4660	Vulring	Seal spacer
11	1	STM4661	O-ring (slingerring)	O-ring
12	2	STM4662	Keerring	Lip seal
13	1	STM4663	As	Shaft
14	2	STM4664	Lager	Ball bearing
15	1	STM4665	Spie	Key
16	1	STM4666	Ring	Washer
17	1	STM4667	Nyloc moer	Nyloc nut
18	1	STM4668	V-snaarschijf	Pulley
19	1	STM4522	Zeewaterpomp compleet	Seawater pump cpl.
20	1	STM4669	Service kit (1+2+6)	Service kit (1+2+6)

groep/ group	blz./ page	type	omschrijving/description	datum/date
3	5	VH4.65 VH4.80	Zeewaterpomp Seawater pump	19 02 02



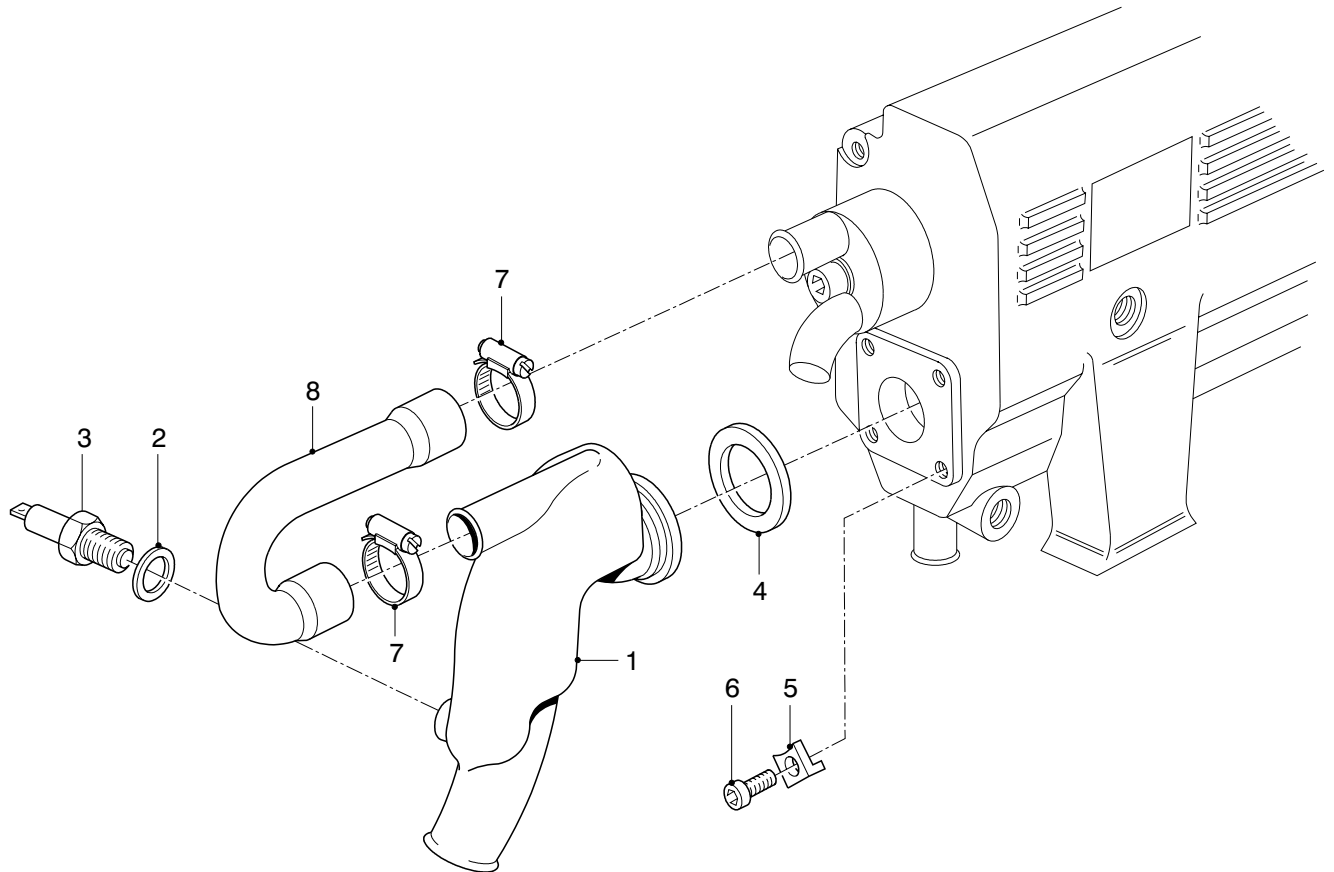
onderdelencatalogus parts catalogue



groep/ group	blz./ page	type	omschrijving/description	datum/date
3	6	VH4.65 VH4.80	Uitlaat injectiebocht Exhaust injection elbow	19 03 02

pos.	qty	part	benaming	description
1	1	STM4560	Uitlaat injectiebocht ø 60 VH4-65	Exhaust injection elbow ø 60 VH4-65
	1	STM4575	Uitlaat injectiebocht ø 75 VH4-80	Exhaust injection elbow ø 75 VH4-80
2	1	STM2019	Afdichtring M18	Seal washer M18
3	1	STM2006	Buitenwatertemperatuur schakelaar M18x1,5 12-24V 75°C	Raw water temp. switch M18x1,5 12-24V 75°C
4	1	STM4559	Pakking	Gasket
5	4	STM6126	Klemplaat	Clamp plate
6	4	STM6299	Inbusbout lage kop M8x22	Allen screw low head M8x22
7	2	STM3005	Slangklem 32-44	Hose clamp 32-44
8	1	STM4625	Slang uitlaat injectiebocht	Hose exhaust inj. elbow

groep/ group	blz./ page	type	omschrijving/description	datum/date
3	6	VH4.65 VH4.80	Uitlaat injectiebocht Exhaust injection elbow	19 03 02



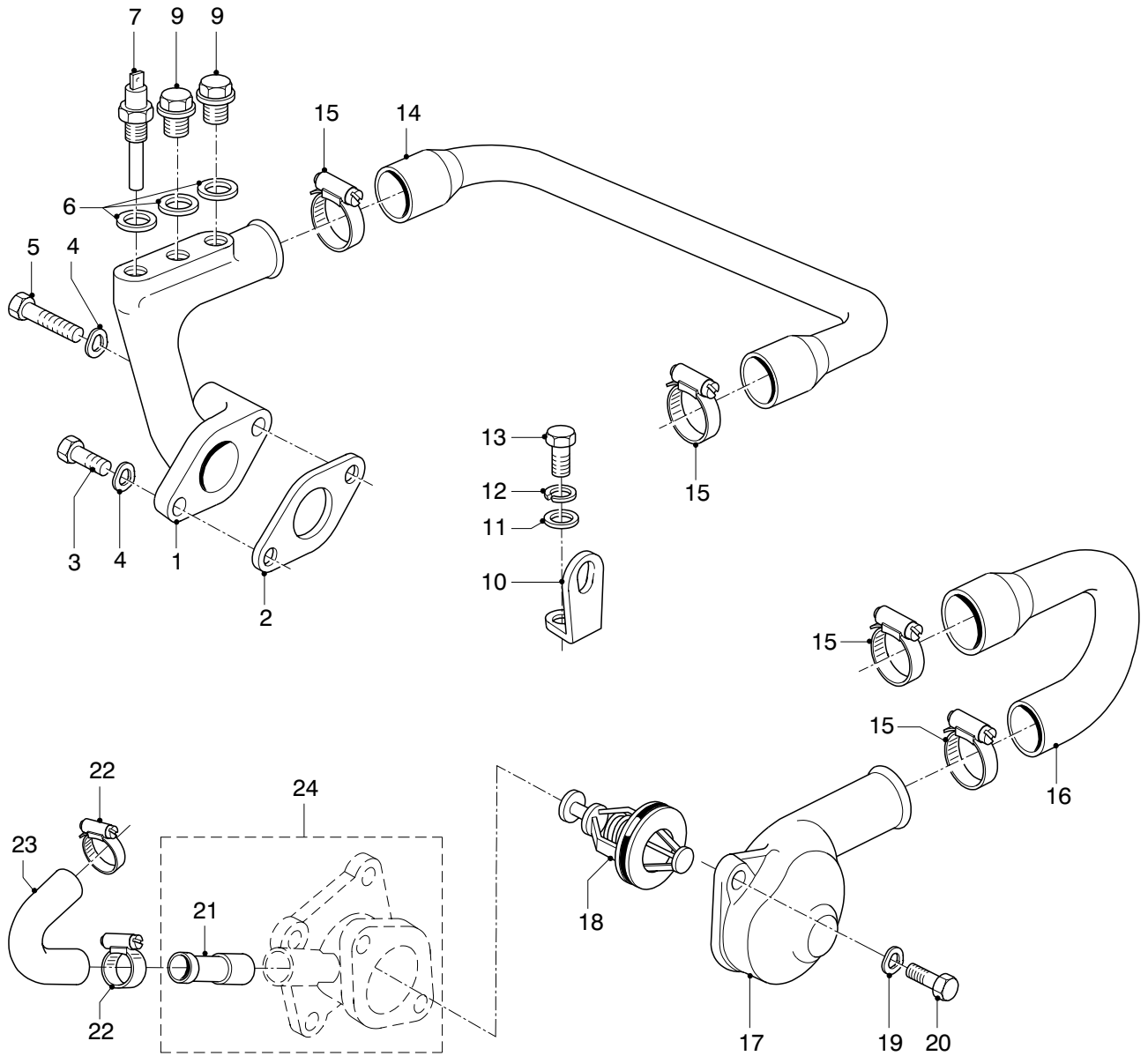
onderdelencatalogus parts catalogue



groep/ group	blz./ page	type	omschrijving/description	datum/date
3	7	VH4.65 VH4.80	Thermostaat Thermostat	25 01 02

pos.	qty	part	benaming	description
1	1	STM4540	Water uitlaatbocht	Water outlet elbow
2	1	STM4541	Pakking	Gasket
3	1	STM1610	Bout M8x25	Bolt M8x25
4	2	STM1019	Gegolfde veerring M8	Wave spring washer M8
5	1	STM9256	Bout M8x55	Bolt M8x55
6	3	STM1062	Afdichtring M14	Seal washer M14
7	1	STM8322	Binnenwater temperatuur schakelaar M14x1,5 12-24V 105°C	Temp.switch coolant M14x1,5 12-24V 105°C
9	2	STM1059	Plug M14x1,5	Plug M14x1,5
10	1	STM4524	Hijsoog	Lifting eye
11	1	STM4619	Ring 8 mm	Washer 8 mm
12	1	STM1056	Veerring M8	Spring washer M8
13	1	STM1610	Bout M8x25	Bolt M8x25
14	1	STM4621	Slang van cilinderkop naar ww	Hose from cyl. head to heatex.
15	4	STM3005	Slangklem 32-44	Hose clamp 32-44
16	1	STM4622	Slang van ww naar thermostaathuis	Hose from heatex. to thermostat housing
17	1	STM4530	Thermostaathuisdeksel	Cover
18	1	STM4976	Thermostaat 76°C	Thermostat 76°C
19	2	STM1019	Gegolfde veerring M8	Wave spring washer M8
20	2	STM1610	Bout M8x25	Bolt M8x25
21	1	STM4531	Pijp	Pipe
22	2	STM2012	Slangklem 19-28	Hose clamp 19-28
23	1	STM4624	Slang by-pass/ ww uit	Hose by-pass/heatex. out
24	1	STM4534	Thermostaathuis	Thermostat housing

groep/ group	blz./ page	type	omschrijving/description	datum/date
3	7	VH4.65 VH4.80	Thermostaat Thermostat	25 01 02



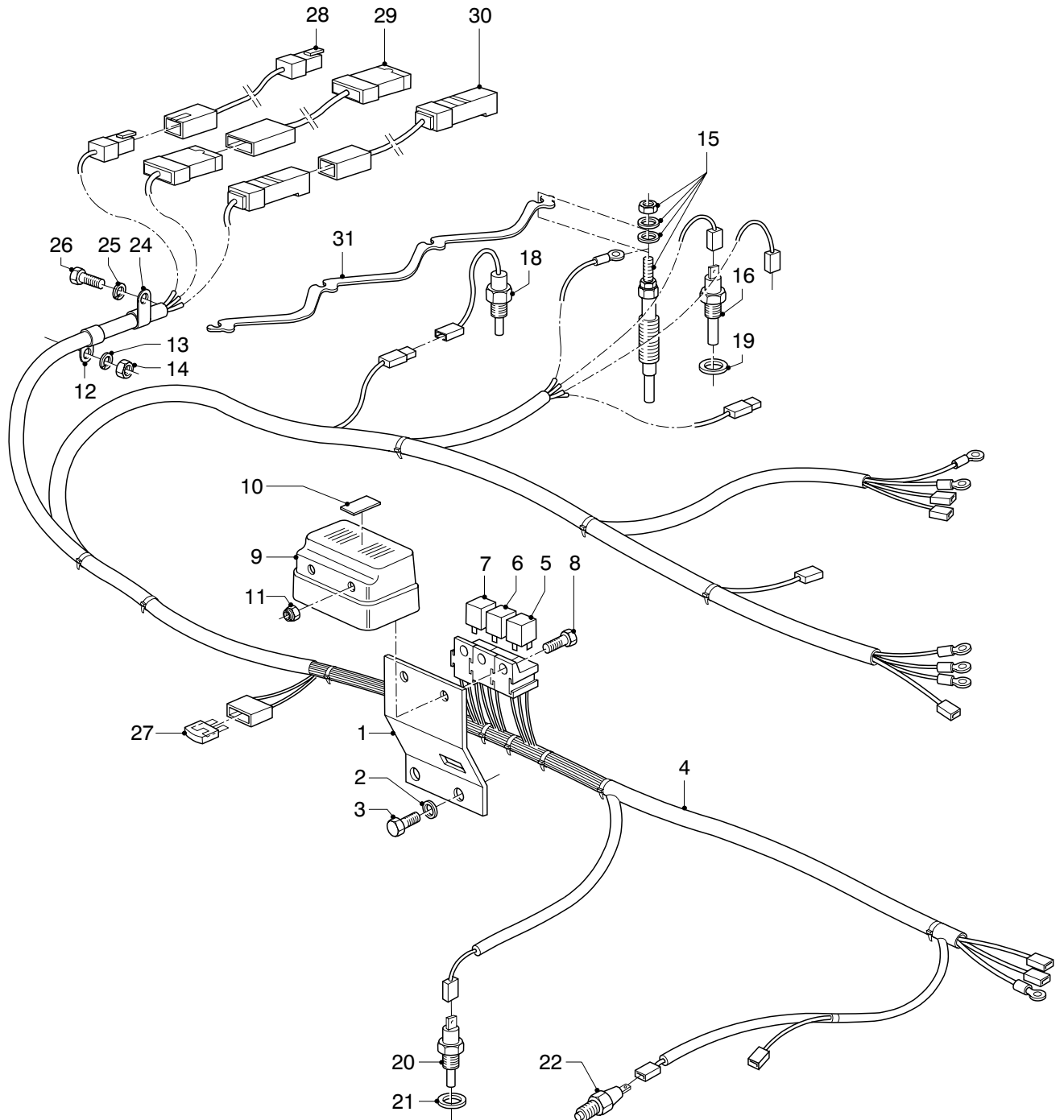
onderdelencatalogus parts catalogue



groep/ group	blz./ page	type	omschrijving/description	datum/date
4	1	VH4.65 VH4.80	Bedrading Wiring	11 03 02

pos.	qty	part	benaming	description	
1	1	STM4612	Relais steun	Relais support	
2	2	STM1056	Veerring M8	Spring washer M8	
3	2	STM3355	Bout M8x20	Bolt M8x20	
4	1	STM4610	Motorbedrading	Engine wiring	
5	1	STM9050	Stoprelais 12V-30A	Stop relais 12V-30A	
6	1	STM9050	Startrelais 12V-30A	Start relais 12V-30A	
7	1	STM9043	Gloeirelais 12V-70A	Glow relais 12V-70A	
8	2	CT40075	Bout M5x16	Bolt M5x16	
9	1	STM4611	Deksel	Cover	
10	1	STM7591	Sticker	Sticker	
11	2	STM6159	Zelfborgende moer M5	Nyloc nut M5	
12	1	STM4616	Klem	Clamp	
13	1	STM4014	Veerring M10	Spring washer M10	
14	1	STM4018	Moer M10	Nut M10	
15	4	STM4972	Gloeibougje	Glow plug	
16	1	STM8322	Binnenwater temperatuur schakelaar M14x1,5 12-24V 105°C	Temp.switch cooland M14x1,5 12-24V 105°C	
18	1	STM4985	Brandstofklep (ETR)	Fuel valve (ETR)	
19	1	STM1062	Afdichtring M14	Seal washer M14	
20	1	STM2006	Buitenwatertemperatuur schakelaar M18x1,5 12-24V 75°C	Temp switch raw water M18x1,5 12-24V 75°C	
21	1	STM2019	Afdichtring M18	Seal washer M18	
22	1	STM4986	Oliedruk schakelaar	Oilpressure switch	
24	1	STM6305	Klem	Clamp	
25	1	STM1056	Veerring M8	Spring washer M8	
26	1	STM3355	Bout M8x20	Bolt M8x20	
27	1	STM4614	ATO Zekering 10 A	ATO Fuse 10 A	
28	1	STM6941	Tussenkabel A, 2 mtr.	Grijs 6 polig	Intermediate cable A, 2 mtr. Grey 6 pole
	1	STM6942	Tussenkabel A, 4 mtr.	Grijs 6 polig	Intermediate cable A, 4 mtr. Grey 6 pole
	1	STM6943	Tussenkabel A, 6 mtr.	Grijs 6 polig	Intermediate cable A, 6 mtr. Grey 6 pole
	1	STM6944	Tussenkabel A, 12 mtr.	Grijs 6 polig	Intermediate cable A, 12 mtr. Grey 6 pole
29	1	STM6945	Tussenkabel B, 2 mtr.	Zwart 6 polig	Intermediate cable B, 2 mtr. Black 6 pole
	1	STM6946	Tussenkabel B, 4 mtr.	Zwart 6 polig	Intermediate cable B, 4 mtr. Black 6 pole
	1	STM6947	Tussenkabel B, 6 mtr.	Zwart 6 polig	Intermediate cable B, 6 mtr. Black 6 pole
	1	STM6948	Tussenkabel B, 12 mtr.	Zwart 6 polig	Intermediate cable B, 12 mtr. Black 6 pole
30	1	STM6949	Tussenkabel C, 2 mtr.	Zwart 2 polig	Intermediate cable C, 2 mtr. Black 2 pole
	1	STM6950	Tussenkabel C, 4 mtr.	Zwart 2 polig	Intermediate cable C, 4 mtr. Black 2 pole
	1	STM6951	Tussenkabel C, 6 mtr.	Zwart 2 polig	Intermediate cable C, 6 mtr. Black 2 pole
	1	STM6952	Tussenkabel C, 12 mtr.	Zwart 2 polig	Intermediate cable C, 12 mtr. Black 2 pole
31	1	STM4973	Strip	Plate	

groep/ group	blz./ page	type	omschrijving/description	datum/date
4	1	VH4.65 VH4.80	Bedrading Wiring	11 03 02



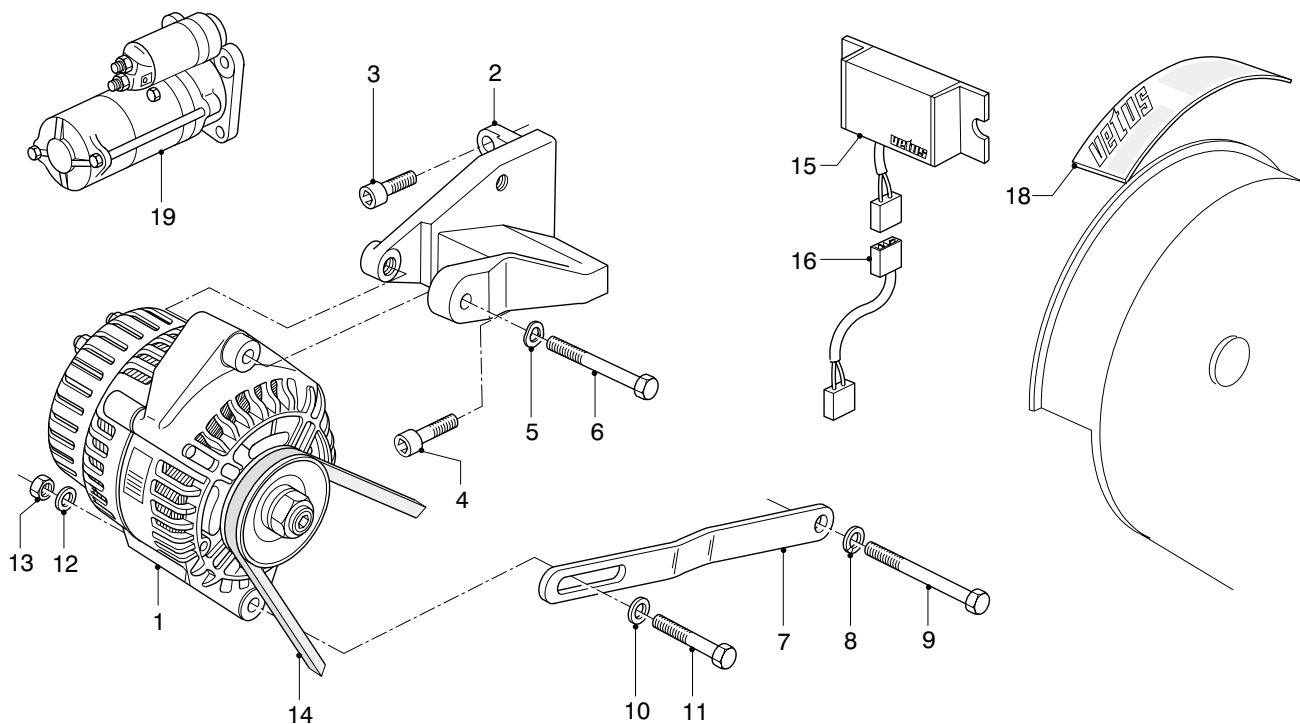
onderdelencatalogus parts catalogue



groep/ group	blz./ page	type	omschrijving/description	datum/date
4	2	VH4.65 VH4.80	Dynamo + startmotor Alternator + starter	19 03 02

pos.	qty	part	benaming	description
1	1	STM8660	Dynamo 12 V, 90 A,1P	Alternator 12V, 90A, 1P
	1	STM9094	Dynamo 12 V, 90 A,1P OPTN01 (optie)	Alternator 12V, 90A, 1P OPTN01 (option)
2	1	STM4507	Steun	Support
3	1	STM4525	Inbusbout lage kop M8x25	Allen screw low head M8x25
4	2	STM8829	Inbusbout M8x25	Allen screw M8x25
5	1	STM1019	Gegolfde veerring M8	Wave spring washer M8
6	1	STM8331	Bout M8x80	Bolt M8x80
7	1	STM4508	Spansteun	Tension support
8	1	STM1056	Veerring M8	Spring washer M8
9	1	STM8126	Bout M8x90	Bolt M8x90
10	1	STM4519	Ring	Washer
11	1	STM6561	Bout M8x50	Bolt M8x50
12	1	STM1019	Gegolfde veerring M8	Wave spring washer M8
13	1	STM2005	Moer M8	Nut M8
14	1	STM4509	V-snaar 10x1200	V-belt 10x1200
15	1	STM9080	Regelaar 12 V, OPTN06	Regulator 12 V, OPTN06
16	1	STM8082	Verlengkabel OPTN08	Wiring loom OPTN08
17	1	STM9286	Optinator set compleet OPTN121A (1+15+16)	Optinator kit cpl. OPTN121A (1+15+16)
18	1	STM4565	Plakker VH4-65	Sticker VH4-65
	1	STM4580	Plakker VH4-80	Sticker VH4-80
19	1	STM4974	Startmotor 12 V - 2,0 kW	Starter 12 V - 2,0 kW

groep/ group	blz./ page	type	omschrijving/description	datum/date
4	2	VH4.65 VH4.80	Dynamo + startmotor Alternator + starter	25 01 02



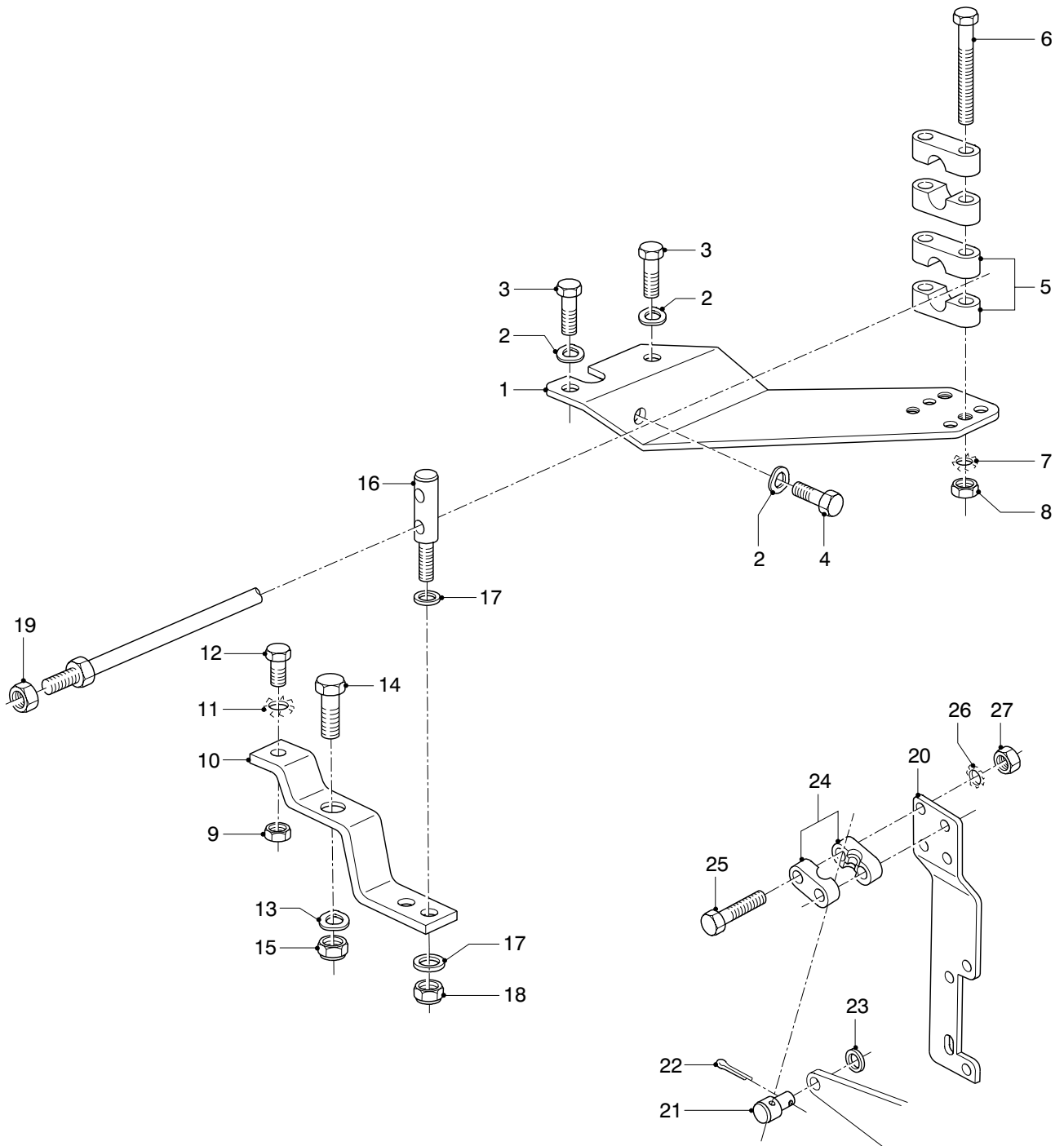
onderdelencatalogus parts catalogue



groep/ group 4	blz./ page 3	type VH4.65 VH4.80	omschrijving/description Bediening Controls	datum/date 06 03 02
----------------------	--------------------	--------------------------	---	------------------------

pos.	qty	part	benaming	description
1	1	STM4551	Gaskabelsteun	Throttle cable control support
2	3	STM1025	Gegolfde veerring M6	Wave spring washer M6
3	2	STM1030	Bout M6x20	Bolt M6x20
4	1	STM1029	Bout M6x12	Bolt M6x12
5	2	STM1703	Kabelklem	Cableclamp
6	2	STM1907	Bout M5x40	Bolt M5x40
7	2	STM1707	Sterring M5	Washer external teeth M5
8	2	STM1705	Moer M5	Nut M5
9	1	STM1705	Moer M5	Nut M5
10	1	STM4550	Hefboom	Lever
11	1	STM1707	Sterring M5	Washer external teeth M5
12	1	STM9063	Bout M5x10	Bolt M5x10
13	1	STM1019	Gegolfde veerring M8	Wave spring washer M8
14	1	STM3355	Bout M8x20	Bolt M8x20
15	1	STM6533	Zelfborgende moer M8	Nyloc nut M8
16	1	STM1902	Gaskabelnippel AB39 4-6395	Throttle nipple AB39 4-6395
17	2	STM1807	Ring M6	Washer M6
18	1	STM8129	Zelfborgende moer M6	Nyloc nut M6
19	1	STM6568	Moer 10-32UNF	Nut 10-32UNF
20	1	STM1851	Schakelkabelsteun HBW	Switch cable support HBW
21	1	STM1806	Kabelnippel	Nipple
22	1	STM1808	Splitpen 2x25	Split pin 2x25
23	1	STM1807	Ring M6	Washer M6
24	1	STM1703	Kabelklem	Cable clamp
25	2	STM1704	Bout M5x25	Bolt M5x25
26	2	STM1707	Sterring M5	Washer external teeth M5
27	2	STM1705	Moer M5	Nut M5

groep/ group	blz./ page	type	omschrijving/description	datum/date
4	3	VH4.65 VH4.80	Bediening Controls	06 03 02



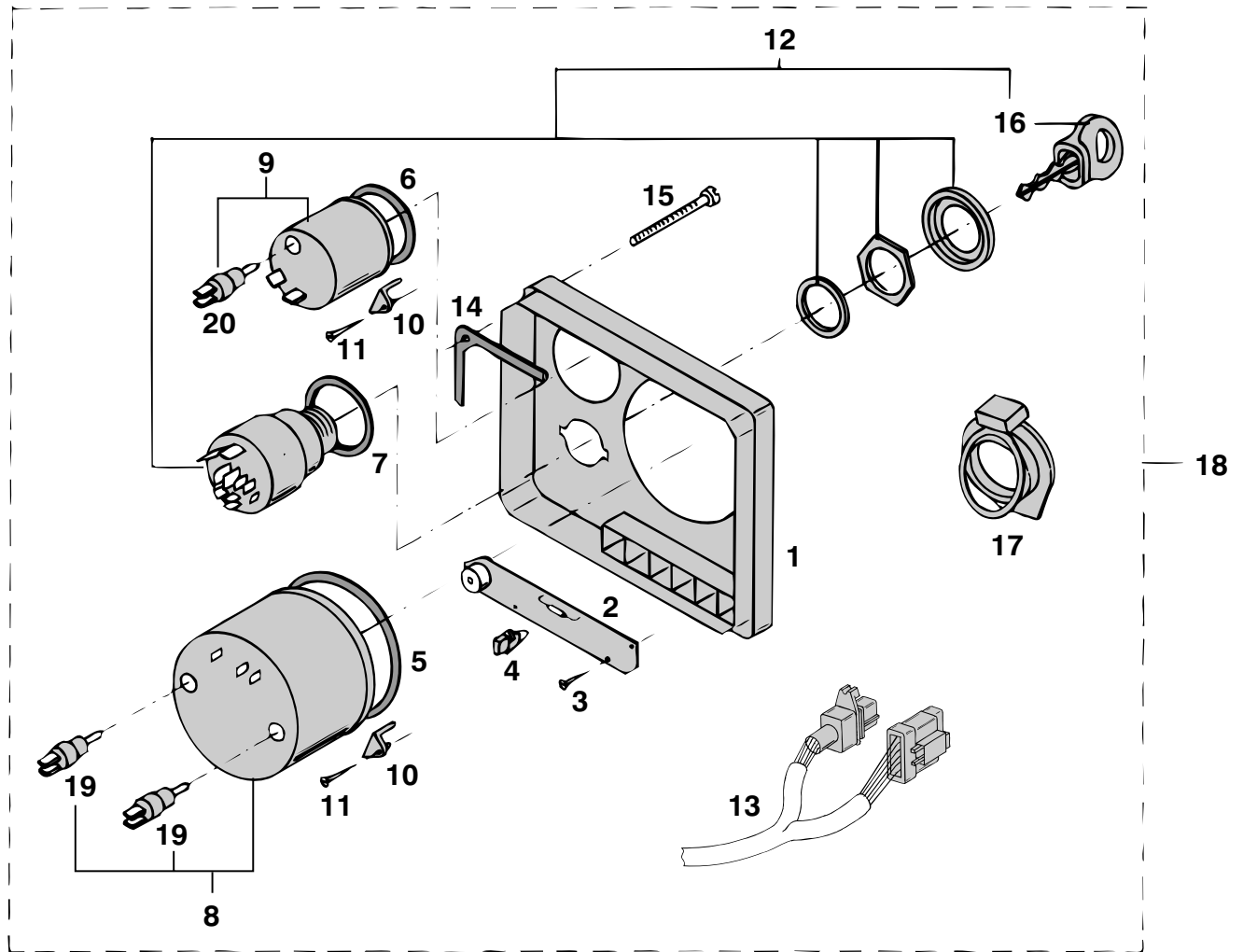
onderdelencatalogus parts catalogue



groep/ group	blz./ page	type	omschrijving/description	datum/date
4	4	VH4.65 VH4.80	Instrumentenpaneel model '22' Instrument panel model '22'	19 10 00

pos.	qty	part	benaming	description
1	1	STM9186	Paneel incl. frontfolie	Panel incl. overlay
2	1	STM6912	Print MP20, 21, 22 cpl. 12 V	PCB MP20, 21, 22 cpl. 12 V
	1	STM6913	Print MP20, 21, 22 cpl. 24 V	PCB MP20, 21, 22 cpl. 24 V
3	4	P2295RKP	Plaatschroef	Screw
4	6	STM9169	Gloeilamp 12 V	Bulb 12 V
	6	STM9210	Gloeilamp 24 V	Bulb 24 V
5	1	STM9170	Pakking	Gasket
6	1	STM9171	Pakking	Gasket
7	1	STM9172	Pakking	Gasket
8	1	STM9176	Toeren/urenteller, zwart, 0-4000 rpm	Tachometer/hour counter, black, 0-4000 rpm
	1	LNTACHU	Toeren/urenteller, beige, 0-4000 rpm	Tachometer/hour counter, beige, 0-4000 rpm
	1	STM9047	Toeren/urenteller, zwart, 0-5000 rpm	Tachometer/hour counter, black, 0-5000 rpm
9	1	STM9177	Voltmeter, zwart, 12 V	Voltmeter, black, 12 V
	1	LNVOLT12U	Voltmeter, beige, 12 V	Voltmeter, beige, 12 V
	1	STM8224	Voltmeter, zwart, 24 V	Voltmeter, black, 24 V
	1	LNVOLT24U	Voltmeter, beige, 24 V	Voltmeter, beige, 24 V
10	6	PA6488	Beugel	Bracket
11	6	P35134RKP	Plaatschroef	Screw
12	1	STM9215	Contactsloot + sleutel	Key switch + key
13	1	STM6918	Paneelbedrading	Wiring
14	1	STM9180	Pakking	Gasket
15	4	P35254ZKP	Plaatschroef	Screw
16	1	STM9214	Sleutel	Key
17	1	STM9188	Contactsloot deksel	Key switch cover
18	1	MP22BS12	Instr.paneel cpl. zwarte instr. 0-4000 rpm 12 V	Instr.panel cpl. black instr. 0-4000 rpm 12 V
	1	MP22BN12	Instr.paneel cpl. beige instr. 0-4000 rpm 12 V	Instr.panel cpl. beige instr. 0-4000 rpm 12 V
	1	MP22BS24	Instr.paneel cpl. zwarte instr. 0-4000 rpm 24 V	Instr.panel cpl. black instr. 0-4000 rpm 24 V
	1	MP22BN24	Instr.paneel cpl. beige instr. 0-4000 rpm 24 V	Instr.panel cpl. beige instr. 0-4000 rpm 24 V
	1	MP22BS125	Instr.paneel cpl. zwarte instr. 0-5000 rpm 12 V	Instr.panel cpl. black instr. 0-5000 rpm 12 V
19	2	CT40131	Gloeilamp 12 V	Bulb 12 V
	2	CT40132	Gloeilamp 24 V	Bulb 24 V
20	1	CT40133	Gloeilamp 12 V	Bulb 12 V
	1	CT40134	Gloeilamp 24 V	Bulb 24 V

groep/ group	blz./ page	type	omschrijving/description	datum/date
4	4	VH4.65 VH4.80	Instrumentenpaneel model '22' Instrument panel model '22'	19 10 00



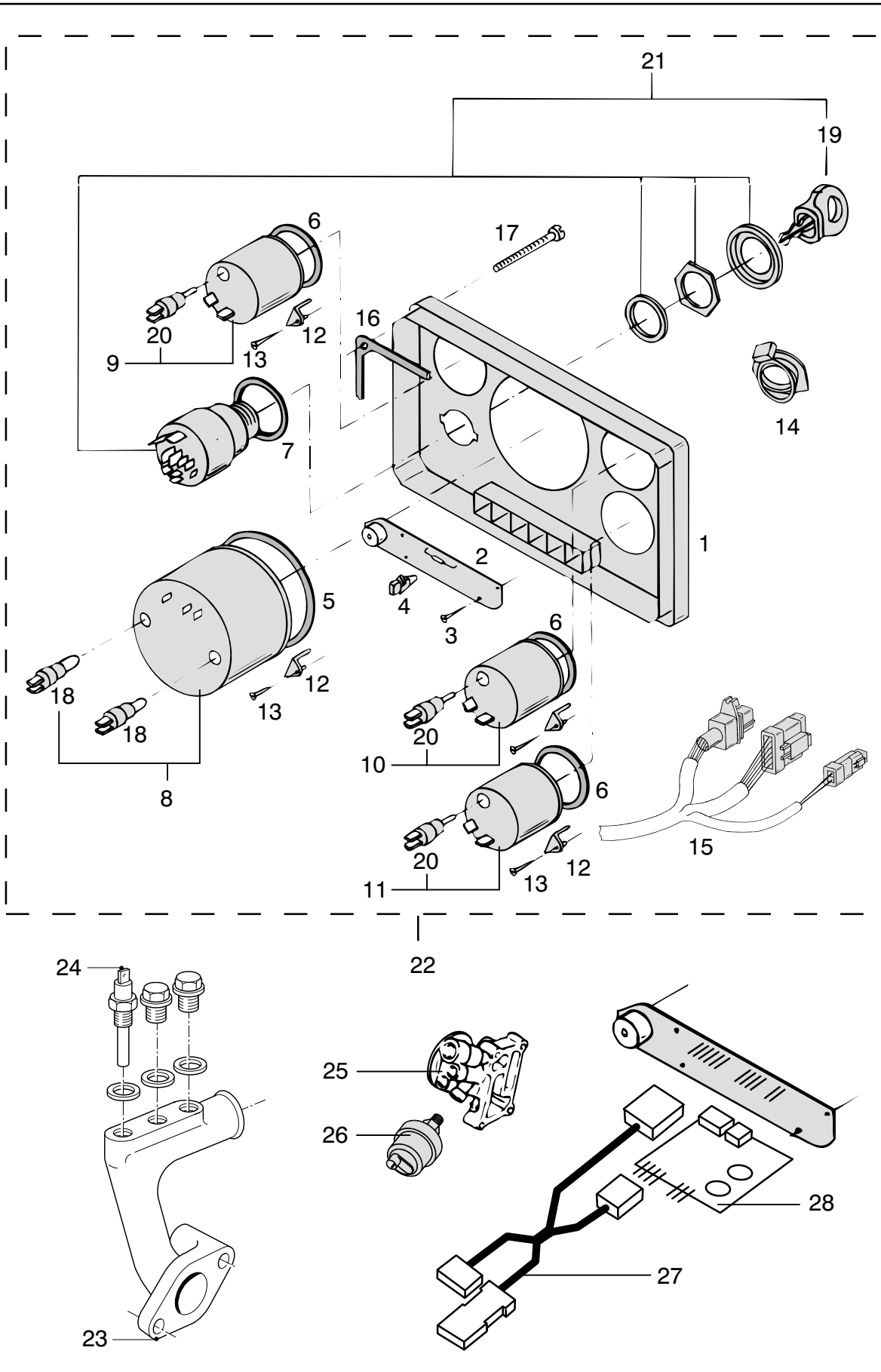
onderdelencatalogus parts catalogue



groep/ group	blz./ page	type	omschrijving/description	datum/date
4	5	VH4.65 VH4.80	Instrumentenpaneel model '34' Instrument panel model '34'	11 03 02

pos.	qty	part	benaming	description
1	1	STM6571	Paneel incl. frontfolie	Panel incl. overlay
2	1	STM6914	Print MP34 cpl. 12 V	PCB MP34 cpl. 12 V
	1	STM6915	Print MP34 cpl. 24 V	PCB MP34 cpl. 24 V
3	4	P2295RKP	Plaatschroef	Screw
4	6	STM9169	Gloeilamp 12 V	Bulb 12 V
	6	STM9210	Gloeilamp 24 V	Bulb 24 V
5	1	STM9170	Pakking	Gasket
6	3	STM9171	Pakking	Gasket
7	1	STM9172	Pakking	Gasket
8	1	STM9176	Toeren/urenteller, zwart, 0-4000 rpm	Tachometer/hour counter, black, 0-4000 rpm
	1	LNTACHU	Toeren/urenteller, beige, 0-4000 rpm	Tachometer/hour counter, beige, 0-4000 rpm
	1	STM9047	Toeren/urenteller, zwart, 0-5000 rpm	Tachometer/hour counter, black, 0-5000 rpm
9	1	STM9177	Voltmeter, zwart, 12 V	Voltmeter, black, 12 V
	1	LNVOLT12U	Voltmeter, beige, 12 V	Voltmeter, beige, 12 V
	1	STM8224	Voltmeter, zwart, 24 V	Voltmeter, black, 24 V
	1	LNVOLT24U	Voltmeter, beige, 24 V	Voltmeter, beige, 24 V
10	1	STM9178	Temperatuurmeter, zwart, 40-120°C 12 V	Temperature gauge, black, 40-120°C, 12 V
	1	LNTEMP12U	Temperatuurmeter, beige, 40-120°C 12 V	Temperature gauge, beige, 40-120°C, 12 V
	1	STM8735	Temperatuurmeter, zwart, 40-120°C 24 V	Temperature gauge, black, 40-120°C, 24 V
	1	LNTEMP24U	Temperatuurmeter, beige, 40-120°C 24 V	Temperature gauge, beige, 40-120°C, 24 V
11	1	STM9179	Oliedrukmeter, zwart, 0-8 bar, 12 V	Oil pressure gauge, black, 0-8 bar, 12 V
	1	LNOIL12U	Oliedrukmeter, beige, 0-8 bar, 12 V	Oil pressure gauge, beige, 0-8 bar, 12 V
	1	STM8734	Oliedrukmeter, zwart, 0-8 bar, 24 V	Oil pressure gauge, black, 0-8 bar, 24 V
	1	LNOIL24U	Oliedrukmeter, beige, 0-8 bar, 24 V	Oil pressure gauge, beige, 0-8 bar, 24 V
12	6	PA6488	Beugel	Bracket
13	6	P35134RKP	Plaatschroef	Screw
14	1	STM9188	Contactsloot dekssel	Key switch cover
15	1	STM6918	Paneelbedrading	Wiring
16	1	STM9181	Pakking	Gasket
17	4	P35254ZKP	Plaatschroef	Screw
18	2	CT40131	Gloeilamp 12 V	Bulb 12 V
	2	CT40132	Gloeilamp 24 V	Bulb 24 V
19	1	STM9214	Sleutel	Key
20	1	CT40133	Gloeilamp 12 V	Bulb 12 V
	1	CT40134	Gloeilamp 24 V	Bulb 24 V
21	1	STM9215	Contactsloot + sleutel	Key switch + key
22	1	MP34BS12	Instr.paneel cpl. zwarte instr. 0-4000 rpm 12 V	Instr.panel cpl. black instr. 0-4000 rpm 12 V
	1	MP34BN12	Instr.paneel cpl. beige instr. 0-4000 rpm 12 V	Instr.panel cpl. beige instr. 0-4000 rpm 12 V
	1	MP34BS24	Instr.paneel cpl. zwarte instr. 0-4000 rpm 24 V	Instr.panel cpl. black instr. 0-4000 rpm 24 V
	1	MP34BN24	Instr.paneel cpl. beige instr. 0-4000 rpm 24 V	Instr.panel cpl. beige instr. 0-4000 rpm 24 V
	1	MP34BS125	Instr.paneel cpl. zwarte instr. 0-5000 rpm 12 V	Instr.panel cpl. black instr. 0-5000 rpm 12 V
23	1	STM4540	Water uitlaatbocht	Water outlet elbow
24	1	STM8326	Binnenwater temperatuur zender M14x1,5 12-24 V 40-120°C	Temp. sender coolant M14x1,5 12-24 V 40-120°C
25	1	STM4907	Oliefilterhuis	Oilfilter case
26	1	CT40083	Oliedrukszender	Sender oil pressure
27	1	STM6955	Verloopkabel (MPVB2)	Cable (MPVB2)
28	1	STM6911	Interface	Interface

groep/ group	blz./ page	type	omschrijving/description	datum/date
4	5	VH4.65 VH4.80	Instrumentenpaneel model '34' Instrument panel model '34'	27 03 02



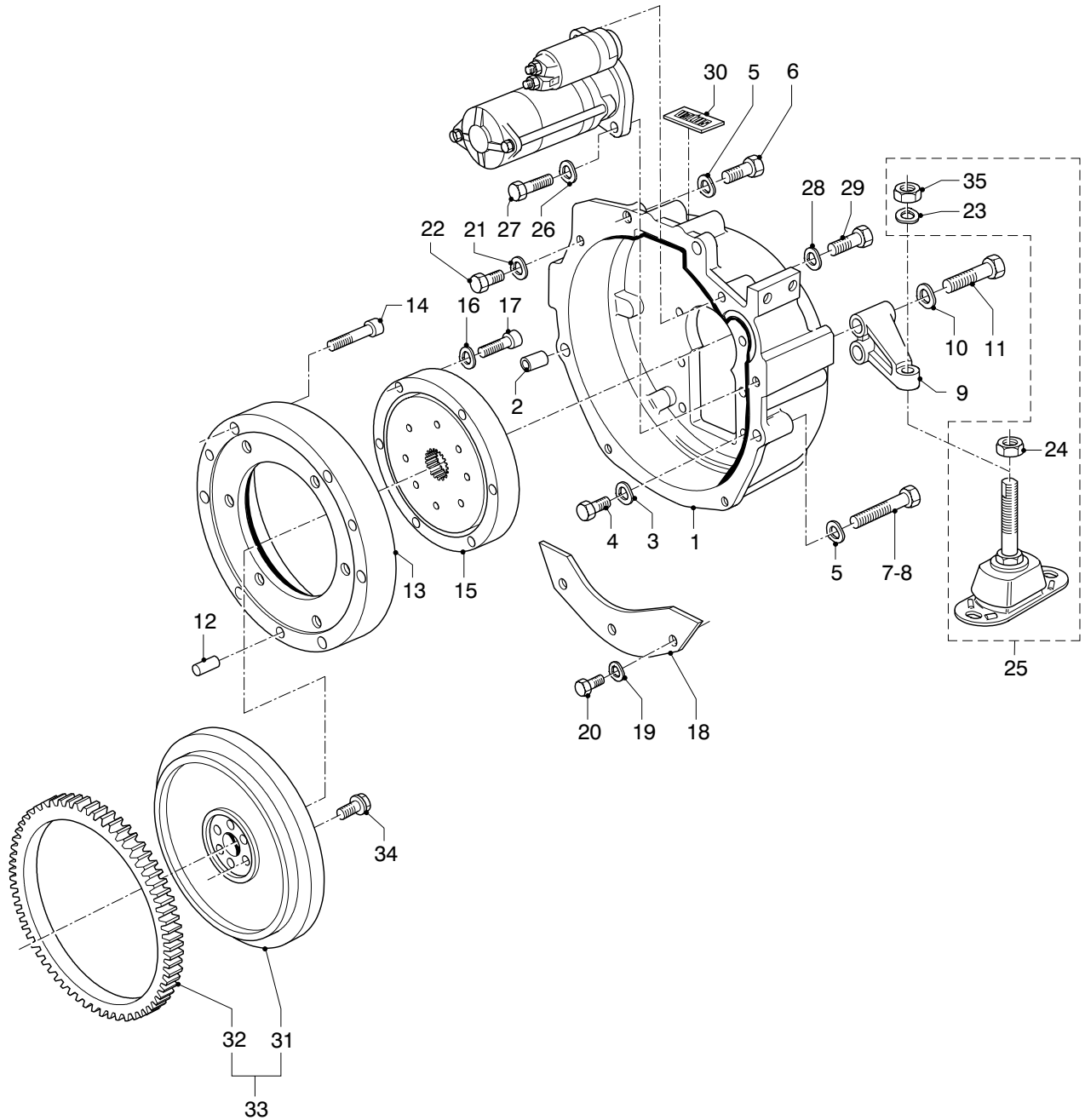
onderdelencatalogus parts catalogue



groep/ group	blz./ page	type	omschrijving/description	datum/date
5	1	VH4.65 VH4.80	Vliegwielhuis Flywheel housing	19 03 02

pos.	qty	part	benaming	description
1	1	STM4511	Vliegwielhuis ø 88	Flywheel housing ø 88
	1	STM4512	Vliegwielhuis ø 92	Flywheel housing ø 92
	1	STM4514	Vliegwielhuis ø 209	Flywheel housing ø 209
2	2	STM4715	Pasbus	Bush
3	6	STM1019	Gegolfde veerring M8	Wave spring washer M8
4	6	STM1610	Bout M8x25	Bolt M8x25
5	4	STM1019	Gegolfde veerring M8	Wave spring washer M8
6	2	STM4060	Bout M10x1,25x35	Bolt M10x1,25x35
7	1	STM4528	Bout M10x1,25x90	Bolt M10x1,25x90
8	1	STM4528	Bout M10x1,25x90	Bolt M10x1,25x90
9	2	STM7584	Motorsteun SB-BB	Engine support SB-PS
10	4	STM4056	Gegolfde veerring M12	Wave spring washer M12
11	4	STM7595	Bout M12x1,75x65	Bolt M12x1,75x65
12	3	STM4987	Paspen	Pin
13	1	STM4510	Vliegwiel verzwaring	Flywheel ring
14	6	STM4526	Inbusbout M8x55	Allen screw M8x55
15	1	STM8508	Demperplaat DIN Z=10	Damper plate DIN Z=10
	1	STM8522	Demperplaat SAE Z=26	Damper plate SAE Z=26
16	6	STM1019	Gegolfde veerring M8	Wave spring washer M8
17	6	STM6539	Inbusbout M8x40	Allen screw M8x40
18	1	STM4515	Afdichtplaat	Cover
19	2	STM1025	Gegolfde veerring M6	Wave spring washer M6
20	2	STM1024	Bout M6x15	Bolt M6x15
21	1	STM1019	Gegolfde veerring M8	Wave spring washer M8
22	1	STM4527	Tapbout M8x10	Bolt M8x10
23	1	STM4642	Gegolfde veerring M16	Wave spring washer M16
24	1	STM4641	Moer M16x2	Nut M16x2
25	2	STM4640	Trillingdemper	Engine mount
26	1	STM1019	Gegolfde veerring M8	Wave spring washer M8
27	1	STM2261	Bout M8x40	Bolt M8x40
28	1	STM4061	Gegolfde veerring M10	Wave spring washer M10
29	1	STM3688	Bout M10x1,25x40	Bolt M10x1,25x40
30	1	STM1054	Type plaatje	Model plate
31	1	STM4975	Vliegwiel	Flywheel
32	1	STM4977	Starterkrans	Gearwheel
33	1	STM4978	Vliegwiel + starterkrans	Flywheel + gearwheel
34	6	STM4979	Bout	Bolt
35	1	STM4643	Zelfborgende moer M16x2	Nyloc nut M16x2

groep/ group	blz./ page	type	omschrijving/description	datum/date
5	1	VH4.65 VH4.80	Vliegwielhuis Flywheel housing	25 01 02



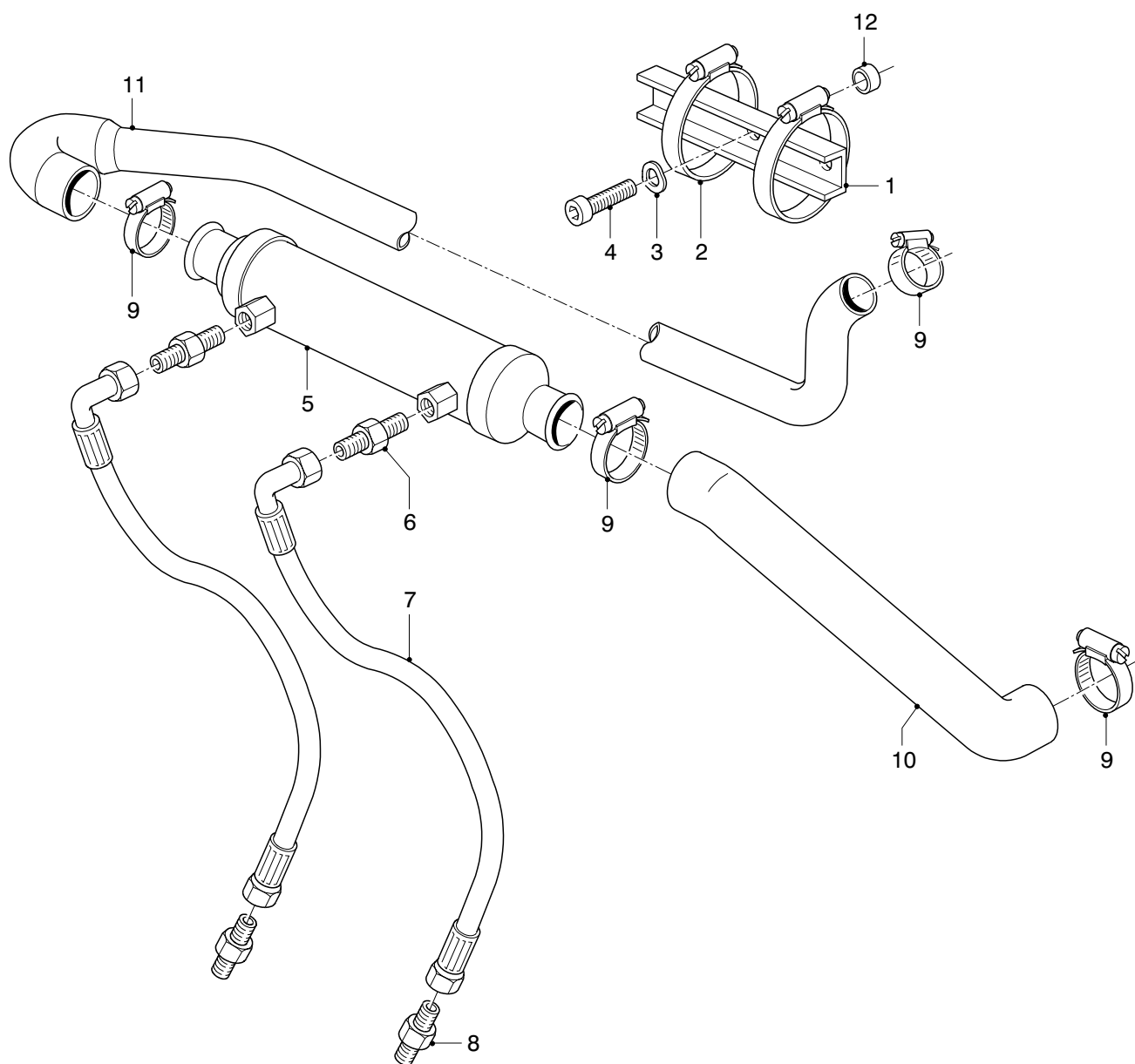
onderdelencatalogus parts catalogue



groep/ group	blz./ page	type	omschrijving/description	datum/date
5	2	VH4.65 VH4.80	Oliekoeler hydraulische keerkoppeling Oil cooler hydraulic gearbox	15 01 02

pos.	qty	part	benaming	description
1	1	STM7568	Steun	Support
2	2	STM8150	Slangklem 77-95	Hose clamp 77-95
3	2	STM1019	Gegolfde veerring M8	Wave spring washer M8
4	2	STM8332	Inbusbout M8x1,25x30	Allen screw M8x1,25x30
5	1	STM3771	Oliekoeler 9" x ø55 - G3/8 - ø33 mm	Oil cooler 9" x ø55 - G3/8 - ø33 mm
6	2	STM3491	Nippel G3/8-M16	Nipple G3/8-M16
7	2	CT50079	Olieslang l=550	Oil hose l=550
8	2	STM3491	Nippel M16-G3/8	Nipple M16-G3/8
	2	STM3766	Nippel M16-G1/4	Nipple M16-G1/4
			HSW-TM345	HSW-TM345
			PRM150	PRM150
9	4	STM3005	Slangklem 32-44	Hose clamp 32-44
10	1	STM4630	Slang oliekoeler-oliekoeler	Hose oil cooler-oil cooler
11	1	STM4631	Slang oliekoeler-ww	Hose oil cooler-heatexchanger
12	2	STM7646	Bus l=10	Bush l=10

groep/ group	blz./ page	type	omschrijving/description	datum/date
5	2	VH4.65 VH4.80	Oliekoeler hydraulische keerkoppeling Oil cooler hydraulic gearbox	15 01 02



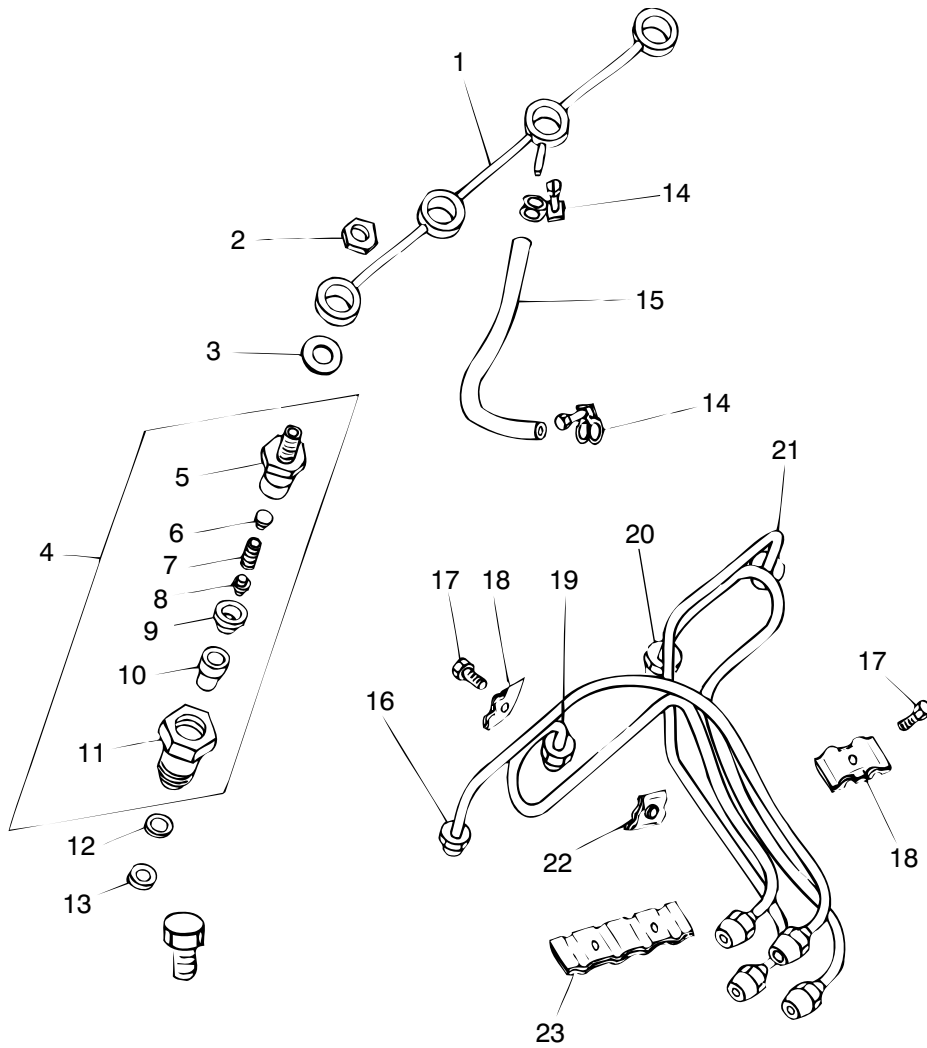
onderdelencatalogus parts catalogue



groep/ group 6	blz./ page 1	type VH4.65 VH4.80	omschrijving/description Brandstofleidingen Fuel pipes	datum/date 31 01 01
----------------------	--------------------	--------------------------	--	------------------------

pos.	qty	part	benaming	description
1	1	STM4940	Retourpijp	Return pipe
2	4	STM4941	Moer 12x1,5	Nut 12x1,5
3	1	STM4942	Pakking	Gasket
4	4	STM4943	Verstuiver cpl.	Nozzle cpl.
5	1	STM4944	Huis	Case
6	1	STM4945	Shim	Shim
7	1	STM4946	Veer	Spring
8	1	STM4947	Zitting	Seat
9	1	STM4948	Afstandhouder	Spacer
10	1	STM4949	Nozzle	Nozzle
11	1	STM4950	Moer	Nut
12	4	STM4951	Pakking	Gasket
13	4	STM4952	Pakking	Gasket
14	2	STM4953	Klem	Clamp
15	1	STM4954	Slang	Hose
16	1	STM4955	Pijp no.1	Pipe no.1
17	4	STM4956	Bout	Bolt
18	4	STM4957	Klem A	Clamp A
19	1	STM4958	Pijp no.2	Pipe no.2
20	1	STM4959	Pijp no.3	Pipe no.3
21	1	STM4960	Pijp no.4	Pipe no.4
22	2	STM4961	Klem B	Clamp B
23	1	STM4962	Klem C	Clamp C

groep/ group	blz./ page	type	omschrijving/description	datum/date
6	1	VH4.65 VH4.80	Brandstofleidingen Fuel pipes	31 01 01



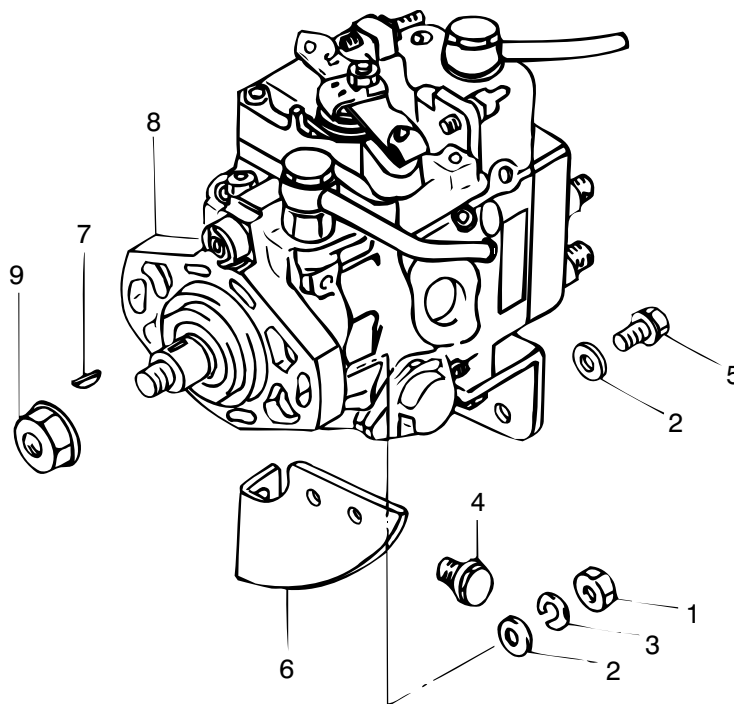
onderdelencatalogus parts catalogue



groep/ group	blz./ page	type	omschrijving/description	datum/date
6	2	VH4.65 VH4.80	Brandstofpomp Fuel pump	31 01 02

pos.	qty	part	benaming	description
1	2	STM4963	Moer	Nut
2	4	STM4964	Ring-speciaal	Washer-special
3	2	STM4965	Veerring	Spring washer
4	2	STM4966	Bout	Bolt
5	2	STM4967	Bout	Bolt
6	1	STM4968	Steun	Support
7	1	STM4969	Spie	Key
8	1	STM4970	Brandstofpomp	Fuel pump
9	1	STM4971	Moer	Nut

groep/ group	blz./ page	type	omschrijving/description	datum/date
6	2	VH4.65 VH4.80	Brandstofpomp Fuel pump	31 01 02



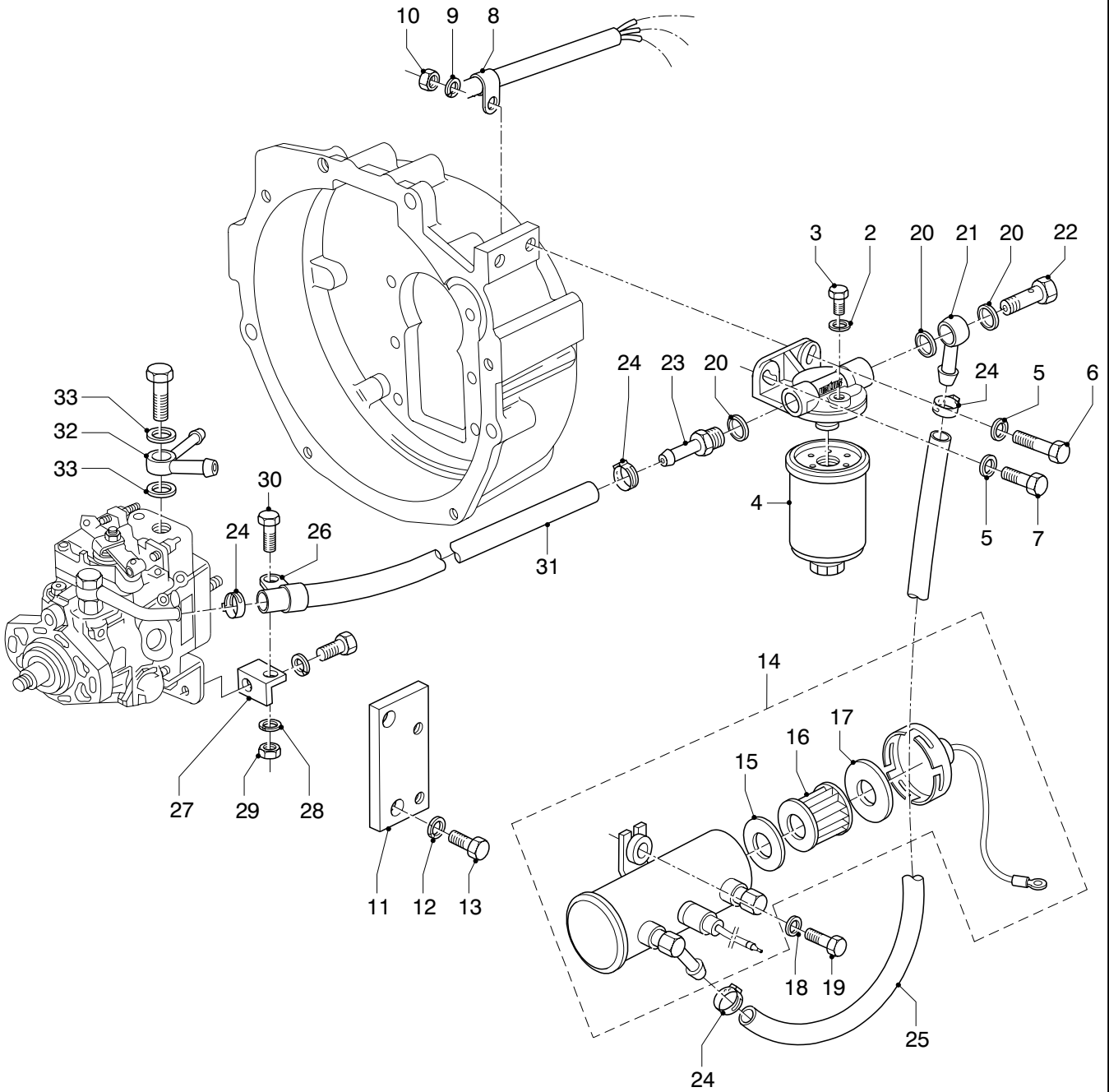
onderdelencatalogus parts catalogue



groep/ group	blz./ page	type	omschrijving/description	datum/date
6	3	VH4.65 VH4.80	Brandstoffilters Fuel filters	16 01 02

pos.	qty	part	benaming	description
1	1	STM6050	Filterkop	Filter head
2	1	STM3797	Afdichtring	Seal washer
3	1	STM3796	Ontluchtingsschroef M8x1,25x10	Bleeding screw M8x1,25x10
4	1	STM3690	Brandstoffilter	Fuel filter
5	2	STM4061	Gegolfde veerring M10	Wave spring washer M8
6	1	STM4062	Bout M10x40	Bolt M10x40
7	1	STM9003	Bout M10x25	Bolt M10x25
8	1	STM4616	Klem	Clamp
9	1	STM4014	Veerring M10	Spring washer M10
10	1	STM4018	Moer M10	Nut M10
11	1	STM4588	Steun	Support
12	2	STM4014	Veerring M10	Spring washer M10
13	2	STM9060	Bout M10x1,25x20	Bolt M10x1,25x20
14	1	STM4049	Electrische brandstofopvoerpomp	Electrical fuel lift pump
15	1	STM4038	Pakking	Gasket
16	1	STM4050	Filterelement	Filter element
17	1	STM4037	Pakking	Gasket
18	2	STM1025	Gegolfde veerring M6	Wave spring washer M6
19	2	STM1030	Bout M6x20	Bolt M6x20
20	4	STM7056	Afdichtring	Seal washer
21	1	STM9262	Banjo oog	Banjo eye
22	1	STM8057	Banjo bout M12x1	Banjo bolt M12x1
23	1	STM4591	Slangpilaar M12x1-8mm	Hose pillar M12x1-8mm
24	4	STM6185	Klem	Clamp
25	1	STM4589	Brandstofslang 8mm l=430mm	Fuel hose 8mm l=430mm
26	1	STM4593	Klem	Clamp
27	1	STM4592	Steun	Support
28	1	STM1056	Veerring M8	Spring washer M8
29	1	STM2005	Moer M8	Nut M8
30	1	STM3355	Bout M8x20	Bolt M8x20
31	1	STM4590	Brandstofslang 8 mm l = 490 mm	Fuel hose 8 mm l = 490 mm
32	1	STM4595	Brandstofretour nippel	Fuel return nipple
33	2	STM7056	Afdichtring 12,5x20x1,5	Seal washer 12,5x20x1,5

groep/ group	blz./ page	type	omschrijving/description	datum/date
6	3	VH4.65 VH4.80	Brandstoffilters Fuel filters	16 01 02



register index



art. nr. part no.	groep group	blz. page	pos. pos.	art. nr. part no.	groep group	blz. page	pos. pos.	art. nr. part no.	groep group	blz. page	pos. pos.	art. nr. part no.	groep group	blz. page	pos. pos.
CT30059	3	2	17	STM1027	3	2	12		3	6	7	STM4526	5	1	14
CT40075	4	1	8	STM1029	3	3	6		3	7	15	STM4527	5	1	22
CT40083	4	5	26		4	3	4		5	2	9	STM4528	5	1	7
CT40131	4	4	19	STM1030	4	3	3	STM3355	4	1	3		5	1	8
	4	5	18		6	3	19		4	1	26	STM4530	3	7	17
CT40132	4	4	19	STM1054	5	1	30		4	3	14	STM4531	3	7	21
	4	5	18	STM1056	3	2	19		6	3	30	STM4534	3	7	24
CT40133	4	4	20		3	2	37	STM3491	5	2	6	STM4540	3	7	1
	4	5	20		3	4	9		5	2	8		4	5	23
CT40134	4	4	20		3	7	12	STM3526	3	4	3	STM4541	2	1	11
	4	5	20		4	1	2	STM3688	5	1	29		3	7	2
CT50079	5	2	7		4	1	25	STM3690	1	1	1	STM4550	4	3	10
LNOIL12U	4	5	11		4	2	8		6	3	4	STM4551	2	7	10
LNOIL24U	4	5	11		6	3	28	STM3749	3	4	4		4	3	1
LNTACHU	4	4	8	STM1059	3	2	14	STM3766	5	2	8	STM4559	3	6	4
	4	5	8		3	7	9	STM3771	5	2	5	STM4560	3	6	1
LNTEMP12U	4	5	10	STM1062	3	2	13	STM3796	6	3	3	STM4565	4	2	18
LNTEMP24U	4	5	10		3	7	6	STM3797	6	3	2	STM4575	3	6	1
LNVOLT12U	4	4	9		4	1	19	STM4014	3	3	2	STM4580	4	2	18
	4	5	9	STM1606	3	4	11		4	1	13	STM4588	6	3	11
LNVOLT24U	4	4	9	STM1610	3	2	20		6	3	9	STM4589	6	3	25
	4	5	9		3	7	3		6	3	12	STM4590	6	3	31
MP22BN12	4	4	18		3	7	13	STM4018	4	1	14	STM4591	6	3	23
MP22BN24	4	4	18		3	7	20		6	3	10	STM4592	6	3	27
MP22BS12	4	4	18		5	1	4	STM4037	6	3	17	STM4593	6	3	26
MP22BS125	4	4	18	STM1703	4	3	5	STM4038	6	3	15	STM4595	6	3	32
MP22BS24	4	4	18		4	3	24	STM4049	6	3	14	STM4610	4	1	4
MP34BN12	4	5	22	STM1704	4	3	25	STM4050	6	3	16	STM4611	4	1	9
MP34BN24	4	5	22	STM1705	4	3	8	STM4056	5	1	10	STM4612	4	1	1
MP34BS12	4	5	22		4	3	9	STM4060	5	1	6	STM4614	4	1	27
MP34BS125	4	5	22		4	3	27	STM4061	2	10	2	STM4616	4	1	12
MP34BS24	4	5	22	STM1707	4	3	7		2	10	5		6	3	8
P2295RKP	4	4	3		4	3	11		5	1	28	STM4619	3	2	36
	4	5	3		4	3	26		6	3	5		3	7	11
P35134RKP	4	4	11	STM1806	4	3	21	STM4062	6	3	6	STM4620	3	2	32
	4	5	13	STM1807	4	3	17	STM4503	3	2	23	STM4621	3	2	26
P35254ZKP	4	4	15		4	3	23	STM4504	3	2	2		3	7	14
	4	5	17	STM1808	4	3	22	STM4505	3	2	3	STM4622	3	2	27
PA6488	4	4	10	STM1851	4	3	20	STM4506	3	2	1		3	7	16
	4	5	12	STM1902	4	3	16	STM4507	4	2	2	STM4623	3	2	40
STM1006	3	2	9	STM1907	4	3	6	STM4508	4	2	7	STM4624	3	2	34
STM1007	3	2	8	STM2003	3	2	35	STM4509	1	1	5		3	7	23
STM1017	3	2	11		3	4	7		4	2	14	STM4625	3	2	30
STM1019	3	4	2	STM2005	3	2	38	STM4510	5	1	13		3	6	8
	3	7	4		3	4	10	STM4511	5	1	1	STM4626	3	3	10
	3	7	19		4	2	13	STM4512	5	1	1		3	4	15
	4	2	5		6	3	29	STM4514	5	1	1	STM4627	3	2	29
	4	2	12	STM2006	3	6	3	STM4515	5	1	18		3	3	11
	4	3	13		4	1	20	STM4516	3	2	16	STM4630	3	2	41
	5	1	3	STM2012	3	2	33	STM4517	3	2	22		3	3	12
	5	1	5		3	2	39	STM4518	3	2	18		5	2	10
	5	1	16		3	7	22	STM4519	4	2	10	STM4631	5	2	11
	5	1	21	STM2019	3	6	2	STM4520	3	4	1	STM4633	3	3	1
	5	1	26		4	1	21	STM4521	3	4	8	STM4634	3	3	4
	5	2	3	STM2261	5	1	27	STM4522	3	4	13	STM4635	3	3	7
STM1024	5	1	20	STM3005	3	2	25		3	5	19	STM4636	3	3	8
STM1025	3	3	5		3	2	28	STM4523	1	1	6	STM4640	2	10	9
	4	3	2		3	3	9		3	4	16		5	1	25
	5	1	19		3	4	14	STM4524	3	7	10	STM4641	2	10	8
	6	3	18		3	4	17	STM4525	4	2	3		5	1	24

register index



art. nr. part no.	groep group	blz. page	pos. pos.	art. nr. part no.	groep group	blz. page	pos. pos.	art. nr. part no.	groep group	blz. page	pos. pos.	art. nr. part no.	groep group	blz. page	pos. pos.
STM4642	2	10	7	STM4724	2	2	23	STM4774	2	4	9	STM4832	2	6	3
	5	1	23	STM4725	2	2	24	STM4775	2	4	10	STM4833	2	6	3
STM4643	2	10	10	STM4726	2	2	25	STM4776	2	4	11	STM4834	2	6	3
	5	1	35	STM4727	2	2	26	STM4777	2	4	12	STM4835	2	6	4
STM4651	1	1	2	STM4728	2	1	17	STM4778	2	4	13	STM4836	2	6	5
	3	5	1		2	2	27	STM4779	2	4	14	STM4837	2	6	6
STM4652	1	1	3	STM4729	2	2	28	STM4780	2	4	15	STM4838	2	6	7
	3	5	2	STM4730	2	1	19	STM4781	2	4	16	STM4839	2	6	8
STM4653	3	5	3		2	1	20	STM4782	2	1	9	STM4840	2	6	9
STM4654	3	5	4		2	2	29		2	4	17	STM4841	2	6	10
STM4655	3	5	5	STM4731	2	2	30	STM4783	2	1	10	STM4842	2	7	1
STM4656	1	1	4	STM4732	2	2	31		2	4	18	STM4843	2	7	2
	3	5	6	STM4733	2	1	21	STM4784	2	4	19	STM4844	2	7	3
STM4657	3	5	7		2	2	32	STM4785	2	5	1	STM4845	2	7	4
STM4658	3	5	8	STM4734	2	2	33	STM4786	2	5	2	STM4846	2	7	5
STM4659	3	5	9		2	2	34	STM4787	2	5	3	STM4847	2	7	6
STM4660	3	5	10	STM4735	2	2	34	STM4788	2	5	4	STM4849	2	7	8
STM4661	3	5	11	STM4736	2	2	35	STM4789	2	5	5	STM4850	2	7	9
STM4662	3	5	12	STM4737	2	2	36	STM4790	2	5	6	STM4852	2	7	11
STM4663	3	5	13	STM4738	2	3	1	STM4791	2	5	7	STM4853	2	7	12
STM4664	3	5	14	STM4739	2	3	2	STM4792	2	5	7	STM4854	2	7	13
STM4665	3	5	15	STM4740	2	1	23	STM4793	2	5	7	STM4855	2	7	14
STM4666	3	5	16		2	3	3	STM4794	2	5	7	STM4856	2	7	15
STM4667	3	5	17	STM4741	2	3	4	STM4795	2	5	7	STM4857	2	7	16
STM4668	3	5	18	STM4742	2	3	5	STM4796	2	5	8	STM4858	2	7	17
STM4669	3	5	20	STM4743	2	3	6	STM4797	2	5	8	STM4859	2	7	18
STM4671	3	4	18	STM4744	2	3	7	STM4798	2	5	8	STM4860	2	8	1
STM4672	3	4	19	STM4745	2	3	8	STM4799	2	5	8	STM4861	2	8	2
STM4681	2	10	1	STM4746	2	3	9	STM4800	2	5	8	STM4862	2	8	3
STM4682	2	10	4	STM4747	2	3	10	STM4801	2	5	9	STM4863	2	8	4
STM4683	2	10	6	STM4748	2	3	11	STM4802	2	5	9	STM4864	2	8	5
STM4684	2	10	3		2	7	7	STM4803	2	5	9	STM4865	2	8	6
STM4694	3	3	16	STM4749	2	3	12	STM4804	2	5	9	STM4866	2	8	7
STM4700	2	2	37	STM4750	2	3	13	STM4805	2	5	9	STM4867	2	8	8
STM4701	2	2	38	STM4751	2	3	14	STM4806	2	5	10	STM4868	2	8	9
STM4702	2	2	1	STM4752	2	1	14	STM4807	2	5	10	STM4869	2	8	10
STM4703	2	2	2		2	3	15	STM4808	2	5	10	STM4870	2	8	11
STM4704	2	2	3	STM4753	2	1	24	STM4809	2	5	10	STM4871	2	8	12
STM4705	2	2	4		2	3	16	STM4810	2	5	10	STM4872	2	8	13
STM4706	2	2	5	STM4754	2	3	17	STM4811	2	6	1	STM4873	2	8	14
STM4707	2	2	6	STM4755	2	3	18	STM4812	2	6	1	STM4874	2	8	15
STM4708	2	2	7	STM4756	2	3	19	STM4813	2	6	1	STM4875	2	8	16
STM4709	2	2	8	STM4757	2	3	20	STM4814	2	6	1	STM4876	2	8	17
STM4710	2	2	9	STM4758	2	3	21	STM4815	2	6	1	STM4877	2	8	18
STM4711	2	2	10	STM4759	2	1	26	STM4816	2	6	1	STM4878	2	8	19
STM4712	2	2	11		2	3	22	STM4817	2	6	1	STM4879	2	8	20
STM4713	2	2	12	STM4760	2	3	23	STM4818	2	6	1	STM4880	2	8	21
STM4714	2	2	13	STM4761	2	3	24	STM4819	2	6	1	STM4881	2	8	22
STM4715	2	2	14	STM4762	2	3	25	STM4820	2	6	1	STM4882	2	8	23
	5	1	2	STM4763	2	3	26	STM4821	2	6	1	STM4883	2	8	24
STM4716	2	2	15	STM4764	2	3	27	STM4822	2	6	1	STM4884	2	8	25
STM4717	2	2	16	STM4765	2	3	28	STM4823	2	6	1	STM4885	2	8	26
STM4718	2	2	17	STM4766	2	4	1	STM4824	2	6	1	STM4886	2	1	6
STM4719	2	2	18	STM4767	2	4	2	STM4825	2	6	1	STM4886	2	8	27
STM4720	2	2	19	STM4768	2	4	3	STM4826	2	6	1	STM4887	2	8	28
STM4721	2	2	20	STM4769	2	4	4	STM4827	2	6	1	STM4888	2	8	29
STM4722	2	1	16	STM4770	2	4	5	STM4828	2	6	1	STM4889	2	8	30
	2	2	21	STM4771	2	4	6	STM4829	2	6	1	STM4890	2	8	31
STM4723	2	1	15	STM4772	2	4	7	STM4830	2	6	1	STM4891	2	8	32
	2	2	22	STM4773	2	4	8	STM4831	2	6	2	STM4892	2	8	33

register index



art. nr. part no.	groep group	blz. page	pos. pos.	art. nr. part no.	groep group	blz. page	pos. pos.	art. nr. part no.	groep group	blz. page	pos. pos.	art. nr. part no.	groep group	blz. page	pos. pos.
STM4893	2	8	34	STM4945	6	1	6	STM6185	6	3	24	STM9047	4	4	8
STM4894	2	8	35	STM4946	6	1	7	STM6299	3	6	6		4	5	8
STM4895	2	8	36	STM4947	6	1	8	STM6305	4	1	24	STM9050	4	1	5
STM4896	2	8	37	STM4948	6	1	9	STM6503	3	2	6		4	1	6
STM4897	2	8	38	STM4949	6	1	10	STM6531	3	2	21	STM9060	3	3	3
STM4898	2	8	39	STM4950	6	1	11	STM6533	4	3	15		6	3	13
STM4899	2	8	40	STM4951	2	1	7	STM6539	5	1	17	STM9063	4	3	12
STM4900	2	8	41		6	1	12	STM6561	4	2	11	STM9080	4	2	15
STM4901	2	8	42	STM4952	2	1	8	STM6568	4	3	19	STM9094	4	2	1
STM4902	2	8	43		6	1	13	STM6571	4	5	1	STM9169	4	4	4
STM4903	2	9	1	STM4953	6	1	14	STM6911	4	5	28		4	5	4
STM4904	2	9	2	STM4954	6	1	15	STM6912	4	4	2	STM9170	4	4	5
STM4905	2	9	4	STM4955	6	1	16	STM6913	4	4	2		4	5	5
STM4906	2	9	5	STM4956	6	1	17	STM6914	4	5	2	STM9171	4	4	6
STM4907	2	9	6	STM4957	6	1	18	STM6915	4	5	2		4	5	6
	4	5	25	STM4958	6	1	19	STM6918	4	4	13	STM9172	4	4	7
STM4908	2	9	7	STM4959	6	1	20		4	5	15		4	5	7
STM4909	2	1	12	STM4960	6	1	21	STM6941	4	1	28	STM9176	4	4	8
	2	9	8	STM4961	6	1	22	STM6942	4	1	28		4	5	8
STM4910	2	9	9	STM4962	6	1	23	STM6943	4	1	28	STM9177	4	4	9
STM4911	2	9	10	STM4963	6	2	1	STM6944	4	1	28		4	5	9
STM4912	2	1	27	STM4964	6	2	2	STM6945	4	1	29	STM9178	4	5	10
	2	9	11	STM4965	6	2	3	STM6946	4	1	29	STM9179	4	5	11
STM4913	2	9	12	STM4966	6	2	4	STM6947	4	1	29	STM9180	4	4	14
STM4914	2	9	13	STM4967	6	2	5	STM6948	4	1	29	STM9181	4	5	16
STM4915	2	9	14	STM4968	6	2	6	STM6949	4	1	30	STM9186	4	4	1
STM4916	2	9	15	STM4969	6	2	7	STM6950	4	1	30	STM9188	4	4	17
STM4917	2	9	16	STM4970	6	2	8	STM6951	4	1	30		4	5	14
STM4918	2	9	17	STM4971	6	2	9	STM6952	4	1	30	STM9210	4	4	4
STM4919	2	9	18	STM4972	4	1	15	STM6955	4	5	27		4	5	4
STM4920	2	9	19	STM4973	4	1	31	STM7003	3	4	12	STM9214	4	4	16
STM4921	2	9	20	STM4974	4	2	19	STM7056	6	3	20		4	5	19
STM4922	2	1	25	STM4975	5	1	31		6	3	33	STM9215	4	4	12
	2	9	21	STM4976	3	7	18	STM7568	5	2	1		4	5	21
STM4923	2	9	22	STM4977	5	1	32	STM7584	5	1	9	STM9256	3	7	5
STM4924	2	9	23	STM4978	5	1	33	STM7591	4	1	10	STM9262	6	3	21
STM4925	2	9	24	STM4979	5	1	34	STM7595	5	1	11	STM9286	4	2	17
STM4926	2	9	25	STM4980	2	1	4	STM7646	5	2	12				
STM4927	2	9	26		3	2	24	STM8057	6	3	22				
STM4928	2	9	27	STM4981	2	1	1	STM8082	4	2	16				
STM4929	2	1	5	STM4982	2	1	2	STM8126	3	4	6				
	2	9	28	STM4983	2	1	28		4	2	9				
STM4930	2	9	29	STM4984	2	1	22	STM8129	4	3	18				
STM4931	2	9	30	STM4985	4	1	18	STM8150	5	2	2				
STM4932	2	1	3	STM4986	4	1	22	STM8224	4	4	9				
	2	9	31	STM4987	5	1	12		4	5	9				
STM4933	2	9	32	STM4988	3	3	13	STM8322	3	7	7				
STM4934	3	1	1	STM4989	3	3	14		4	1	16				
STM4935	2	1	18	STM4990	3	3	15	STM8326	4	5	24				
	3	1	2	STM4991	3	3	16	STM8331	4	2	6				
STM4936	3	1	3	STM4995	3	3	8	STM8332	5	2	4				
STM4937	3	1	4	STM4996	1	1	7	STM8508	5	1	15				
STM4938	3	1	5	STM6050	6	3	1	STM8522	5	1	15				
STM4939	3	1	6	STM6108	3	2	10	STM8660	4	2	1				
STM4940	3	1	7	STM6113	3	2	4	STM8734	4	5	11				
	6	1	1	STM6121	3	4	5	STM8735	4	5	10				
STM4941	6	1	2	STM6126	3	6	5	STM8829	4	2	4				
STM4942	6	1	3	STM6130	3	2	7	STM9003	6	3	7				
STM4943	6	1	4	STM6132	3	2	5	STM9024	3	2	15				
STM4944	6	1	5	STM6159	4	1	11	STM9043	4	1	7				

Aantekeningen

Notes

Horizontal dotted lines for writing notes.

vetus diesel b.v.

FOKKERSTRAAT 571 - 3125 BD SCHIEDAM - HOLLAND - TEL.: +31 (10) 4377700
FAX: +31 (10) 4621286 - 4373474 - 4153249 - 4372673 - E-MAIL: DIESEL@VETUS.NL