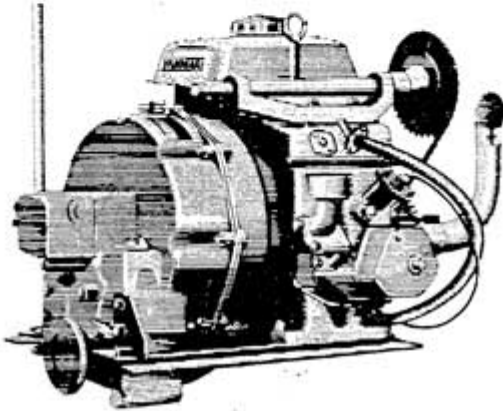


YANMAR DIESEL ENGINES

PARTS LIST



MODEL YSE



YANMAR DIESEL ENGINE CO., LTD.

How to use this Parts List

1. Contents of this Parts List

This Parts List contains all parts of YANMAR YSE series engine and is classified into groups as shown by the index.

The illustrations are followed by the corresponding pages of text.

At Text

- Ref. No. column "Refer. number" is corresponded with the illustrations.
- Description column..... "Description column include Part Name, Measure and etc.

A) Part Name

In case of assembly parts, each component parts are listed in the next space and marked black dot (•), moreover, which may be analyzed into individual parts which are also marked with (...).

Example: CONNECTING ROD ASS'Y

- | | |
|--|--------------------------------------|
| <ul style="list-style-type: none"> • BUSH, piston pin • CONN. ROD BEARING • BOLT, conn. rod | } Component of Connecting Rod Ass'y. |
|--|--------------------------------------|

B) Measure

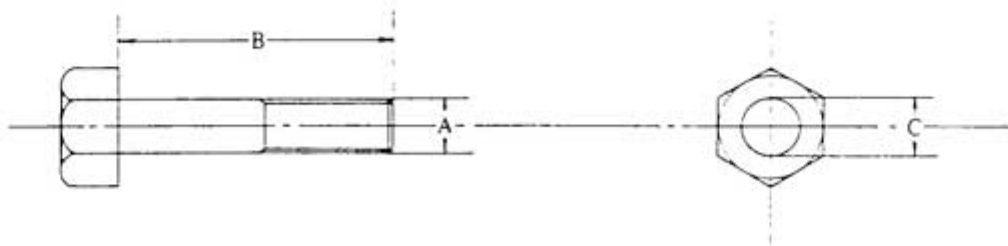
The following two cases may appear here. (Unit : millimeter)

1. Either a, b, c, d, etc.

- a. Length - Width
- b. Length - Hight
- c. Diameter-Thickness
- d. Circumference (Ex. V-Velt)
- etc.

2. In case the size number can be indicated with the designation part number such as the parts of ※ YIS, the following indication is used.

Example.	BOLT	&	NUT
	(A - B)		(C)
	26117-060202 → M6 - 20		26757-060002 → M6

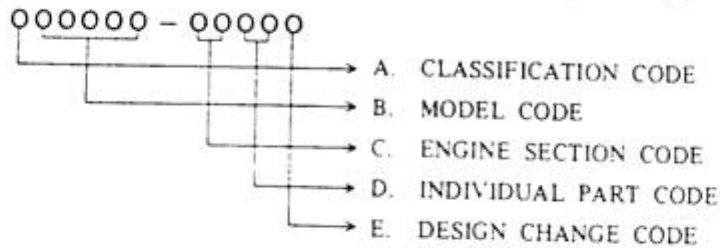


Measure's abbreviations used in this Parts list are as follows.

c : circumference	PF : pipe screw diameter (Unit = inch)
d : diameter	PT : pipe screw diameter (Unit = inch)
h : high	sd : Screw diameter
id : inside diameter	t : thickness
ℓ : length, long	w : width, wide
ℓoa : length over all	z : number of teeth
od : outside diameter	

● Part No. column

Part serial number consists of 11 digits with following meanings:



Note A. CLASSIFICATION CODE

● OOOOOO - OOOOO

The arrangement of parts numbers is roughly divided as follows:

Parts Number	Group	Remarks
① OOOOOO - OOOOOO ② OOOOOO - OOOOOO	A	Basic engine parts and their assembled parts (Example) Cylinder liner, piston, crank shaft assembly, plunger, suction/exhaust pipe.
③ OOOOOO - OOOOOO	B	YIS parts marketed (Example) Bolts, Nuts, Cutter pin, Pressure gauge, etc.
④ OOOOOO - OOOOOO ⑤ OOOOOO - OOOOOO	C	Temporary basic parts and their assembled parts. (Example) Starting air reservoir, electric parts of optional use, etc.
⑥ OOOOOO - OOOOOO	D	Trial parts
⑦ OOOOOO - OOOOOO	E	Goods' parts of sister companies. (Example) Hand-dozer

Note B. MODEL CODE

O●●●●● - OOOOO

This parts list is prepared for the following models:

MODEL CODE	04214	04216	04235	04514	04516	04535
MODEL	YSE8	YSE8G	YSE8L	YSE12	YSE12G	YSE12L

Note C. ENGINE SECTION CODE

000000-000000

7th Figure	8th Figure	1	2	3	4	5	6	7	8	9
0	cylinder, engine bed	cyl. block, cyl. bed, cyl. liner	crank shaft bearing	vent. decomp. mech.				name plate eye bolt	wooden bed, engine bed	
1	suc./exh. valve mech., valve mech.	cyl. cover, valve, valve spring, valve rocker arm	suc. pipe, air cleaner	exh. pipe, silencer	camshaft, tappet	explosion inspect plug, indication sampling valve			supercharger	
2	main reciprocating section	crankshaft, flywheel	piston, ring	connecting rod, piston pin metal		intermediate gear				
3	lub. oil system	reciprocating type lub. oil pump	rotary type lub. oil pump	lub. oil cooler, lub. oil pump drive mech.	over. oil pressure regulat. ing valve	lub. oil strainer	lub. oil tank			frange, lub. oil pipe
4	cooling water, barge systems	reciprocating type cooling water pump	rotary cooling water pump	pump drive mech.	hopper, radiator	cooling case	brige pump		regulator, safety valve	cooling water pipe
5	fuel system	fuel injection pump	fuel feed mech.	fuel injection valve	priming device	fuel tank, fuel strainer				fuel pipe
6	regulator mech.	governor	emergency stop device (th. rpm)	emergency stop (oil pressure drop)	electric governor		governor transmission system	remote control system		
7	starting, lighting systems	starting valve	distributing valve				starting device, handle & air	electric starting device	lighting system	
8	power transmission system		CLUTCH							external bearing device
			reversing gear case	rotary section of reversing gear	maneuvering section of reversing gear	reduction gear				
9	instruments & tools	instruments	tools	tester						

For example, suppose "0" of 7th figure and "1" of 8th figure of part number are combined, this combination reads "01".

"01" as an engine section code stands for cylinder block & cyl. bed.

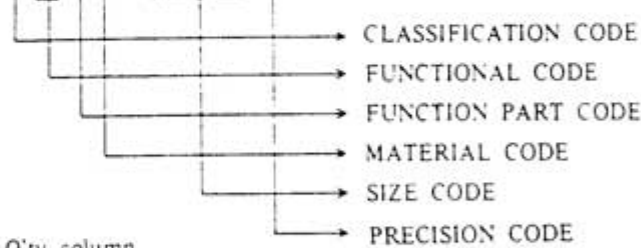
"11" likewise stands for cylinder cover & rocker arm.

Note, D. & E. may be abridged due to no space to describe.

"ADDITION"

YANMAR INDUSTRIAL STANDERD PARTS (YIS)

00000 - 000000



● Q'ty column

The quantity in this column shows the pieces of the part used in the section of each engine.

● Sales Unit column

Sales Unit column indicates the pieces which are contained in a packing case. Accordingly, place an order at sales unit or multiple of it.

(Example Sales unit 10 make your by 10, 20, 30)

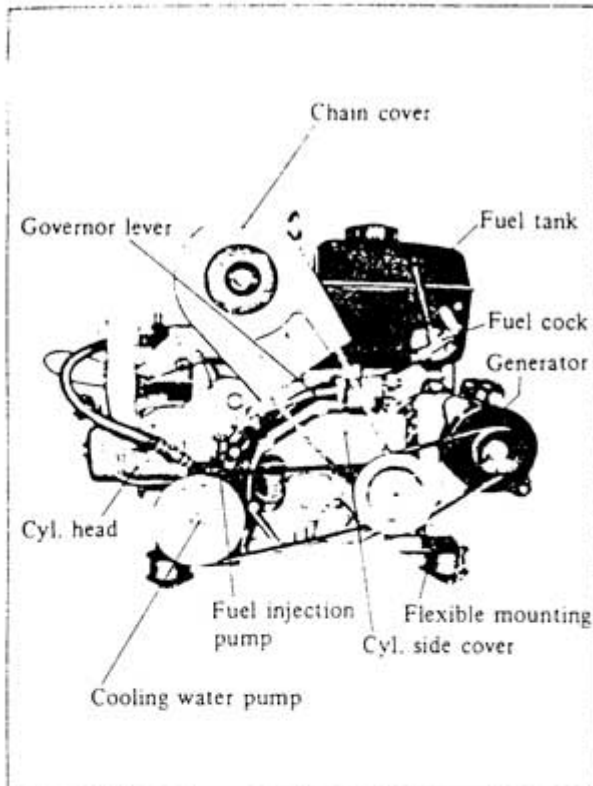
● Remarks column

This column shows the modified parts and the ass'y sales parts.

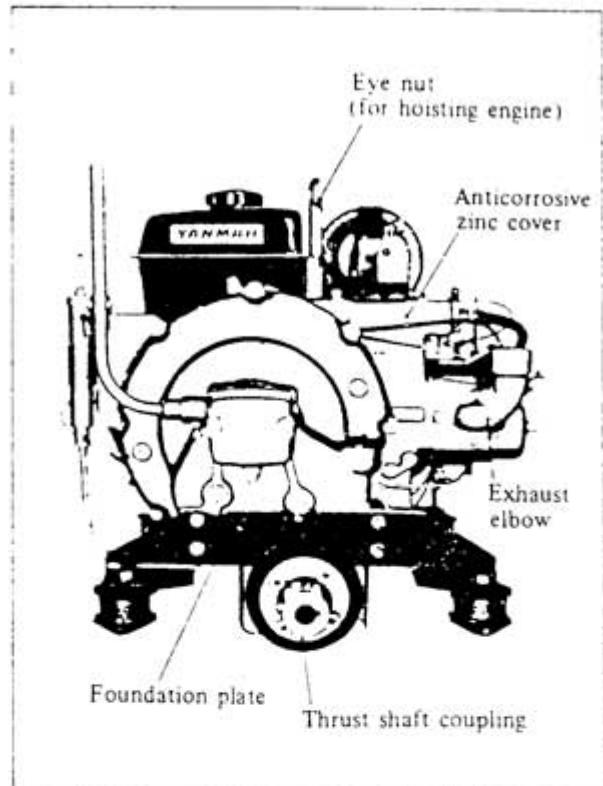
II. Ordering spare parts

The following points should be noted on ordering spare parts

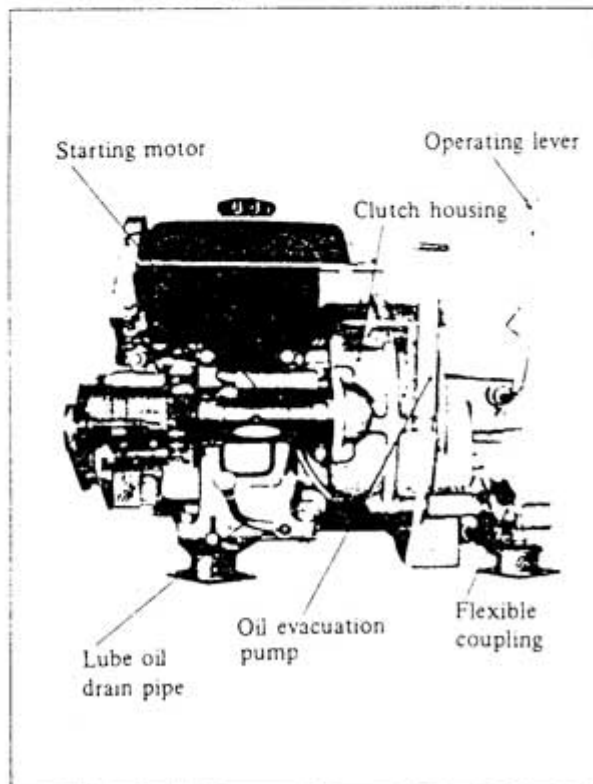
1. Placing an order to us, never fail to enter the pertinent engine number and model name together with part name and part number in your order sheet, which should be much helpful for us to supply you with the very parts you want.



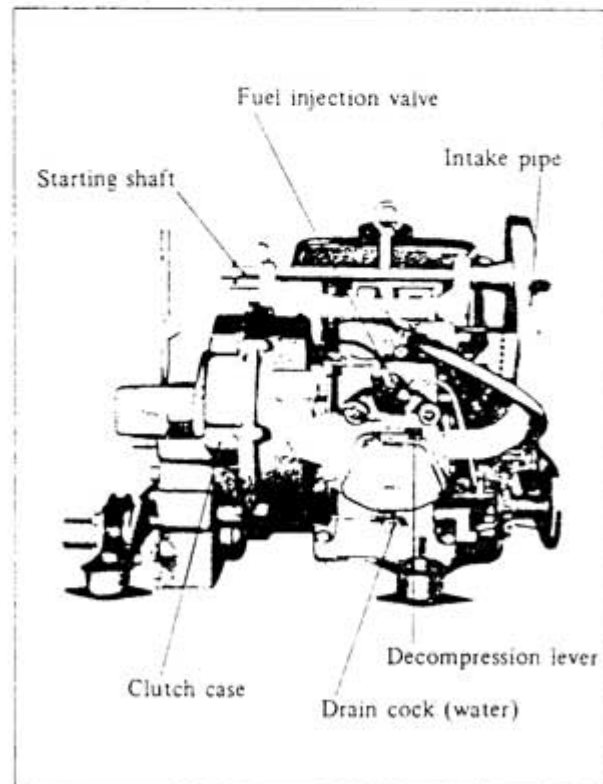
FRONT SIDE OF ENGINE



REAR SIDE OF ENGINE



PORT SIDE OF ENGINE



STARBOARD SIDE OF ENGINE

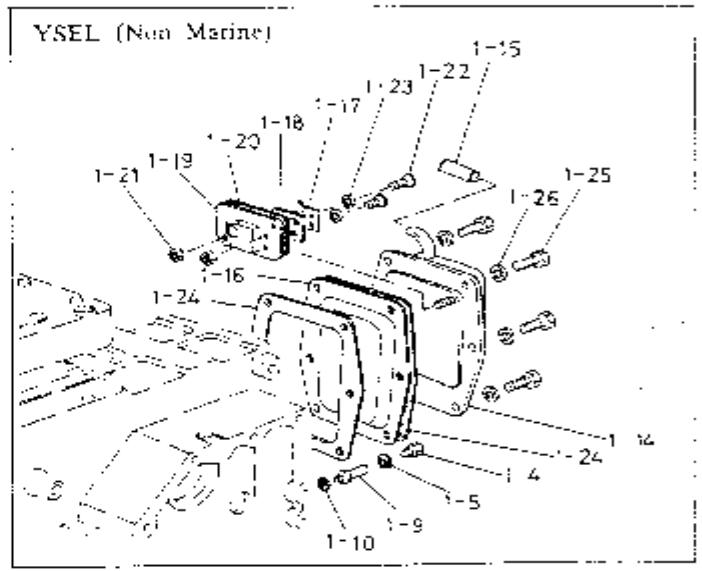
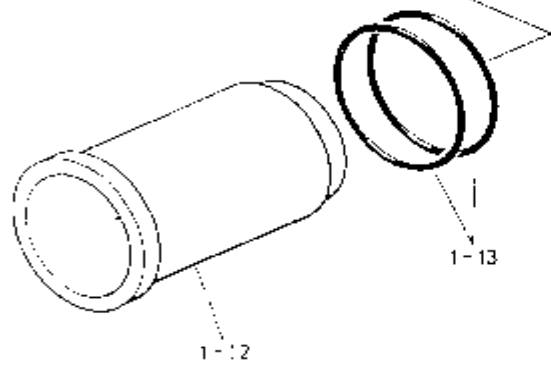
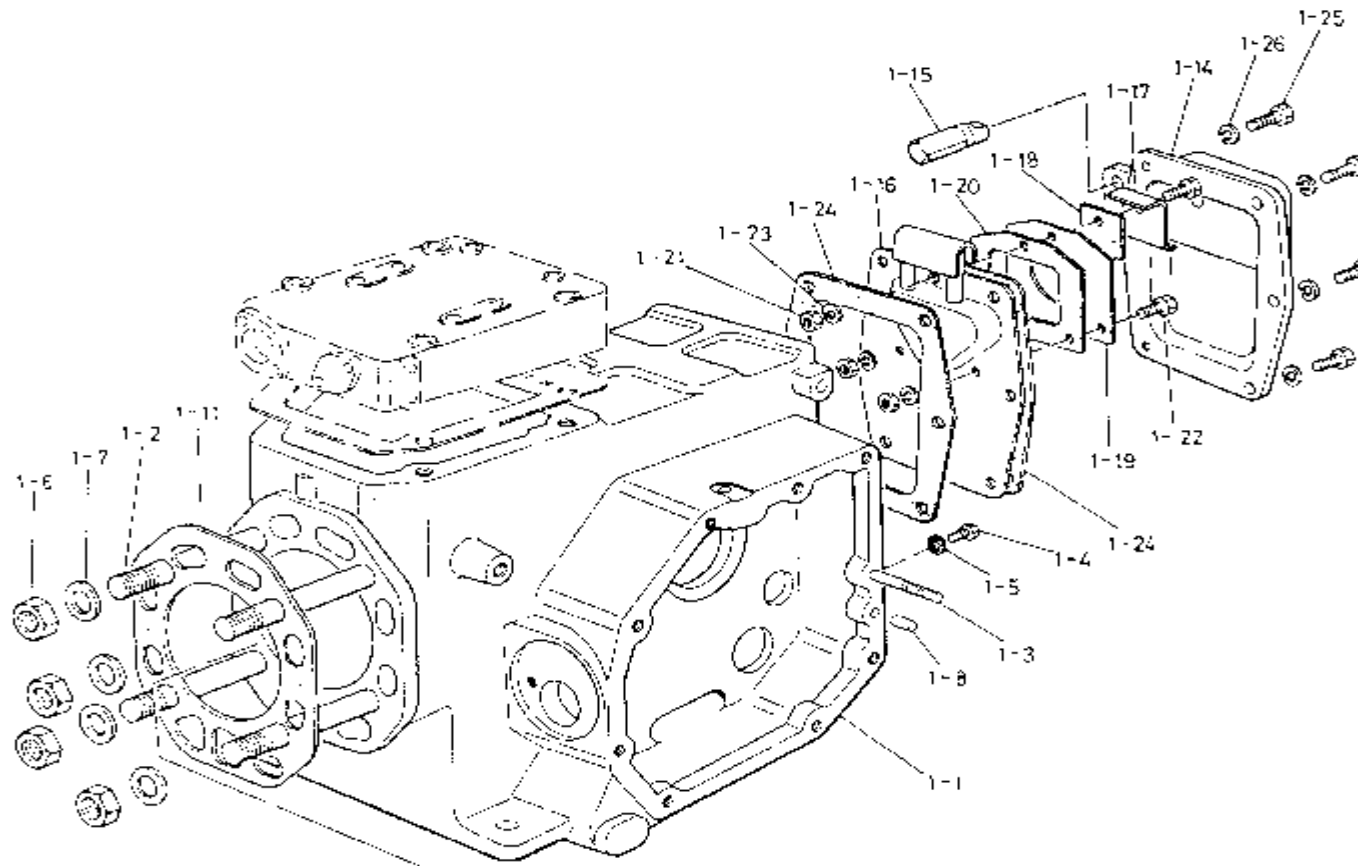
INDEX

Fig.	Component	Page
1.	シリンダー ブロック CYLINDER BLOCK	1~2
2.	ファンデーション プレート および ボルト フォア インスタレーション (オプション パーツ) FOUNDATION PLATE & BOLT FOR INSTALLATION (OPTIONAL PARTS).....	3
3.	シリンダー ヘッド および デコンプレッション リモート コントロール CYLINDER HEAD & DE-COMPRESSION REMO. CON.	4~6
4.	サクソン パイプ および エグゾースト エルボ SUCTION PIPE & EXHAUST ELBOW.....	7~8
5.	カム シャフト CAM SHAFT.....	9
6.	メイン ベアリング および クランクシャフト MAIN BEARING & CRANKSHAFT.....	10~11
7.	ピストン および コネクティング ロッド PISTON & CONNECTING ROD.....	12~13
8.	シリンダー サイド カバー および ルーブリ オイル システム CYL. SIDE COVER & LUB. OIL SYSTEM	14~16
9.	クーリング ウォータ システム COOLING WATER SYSTEM.....	17~20
10.	インジェクション ポンプ FUEL INJECTION PUMP.....	21~22
11.	フュエル インジェクション バルブ FUEL INJECTION VALVE.....	23
12.	フュエル オイル システム FUEL OIL SYSTEM.....	24~26
13.	ガバナー デバイス GOVERNOR DEVICE.....	27~29
14.	チェーン スタートイング デバイス CHAIN STARTING DEVICE.....	30~32
14-1.	チェンジング スペア パーツ フォー ハンド スタートイング デバイス FROM STANDARD TYPE TO LOW-PROFILE TYPE	33~35
15.	エレクトリック スタートイング デバイス ELECTRIC STARTING DEVICE.....	36~38
16.	クラッチ ケース CLUTCH CASE.....	39~41
17.	クラッチ (フリクション プレート, ハウジング) CLUTCH (FRICTION PLATE, HOUSING).....	42~43
18.	クラッチ (スラスト シャフト, アイドル ギャー シャフト) CLUTCH (THRUST SHAFT, IDLE GEAR SHAFT).....	44~45
19.	ツール TOOLS.....	46
20.	オプション パーツ, スペシャル ツール OPTIONAL PARTS, SPECIAL TOOLS.....	47
Note		
I.	オプション パーツ OPTIONAL PARTS	48
II.	マリン ギャー チャート MARINE GEAR CHART	49

Optional Parts Index

Optional Parts Name	Part No.		Page
	YSE8(G)	YSE12(G)	
FOUNDATION PLATE ASS'Y	704214-08100	704514-08100	3
FOUNDATION BOLT ASS'Y	704214-92300	704214-92300	3
DE-COMPRESSION REMOTE CONTROL EQUIPMENT	704214-03700	704214-03700	6
EXHAUST SILENCER ASS'Y, dry type	704214-13700	704514-13700	8
EXHAUST SILENCER ASS'Y, wet type	104214-13500	104214-13500	8
WATER MIXING ELBOW, U-type	104214-13520	104214-13520	8
CONN. ROD BEARING (U.S. 0.25, 0.5)	_____	_____	12~13
OIL PRESS. SWITCH ASS'Y	704214-34540	704214-34540	16
THERMOSTAT SYSTEM ASS'Y	704214-49200	704514-49200	19~20
KINGSTON COCK	704214-49500	704214-49500	20
BILG PUMP, electric drive	46130-001111	46130-001111	20
FUEL FEED PUMP ASS'Y	704214-52500	704214-52500	25
3M WIRE, speed remote control	104214-67710	104214-67710	29
CHAIN COVER ASS'Y	704214-76170	704514-76170	32
ELECTRIC STARTING DEVICE	704214-77500	704514-77500	37
OIL EVACUATION PUMP ASS'Y	704214-39300	704214-39300	40~41
CLUTCH REMOTE CONTROL DEVICE	704214-86100	704514-86100	41
FLEXIBLE COUPLING ASS'Y	704214-85450	704214-85450	45
SPECIAL TOOLS	_____	_____	47
SPARE PARTS KIT	704214-01980	704514-01980	48
PACKING KIT	704214-01990	704514-01990	48

シリンダー ブロック
 Fig.1 CYLINDER BLOCK



シリンダー ブロック
1. CYLINDER BLOCK

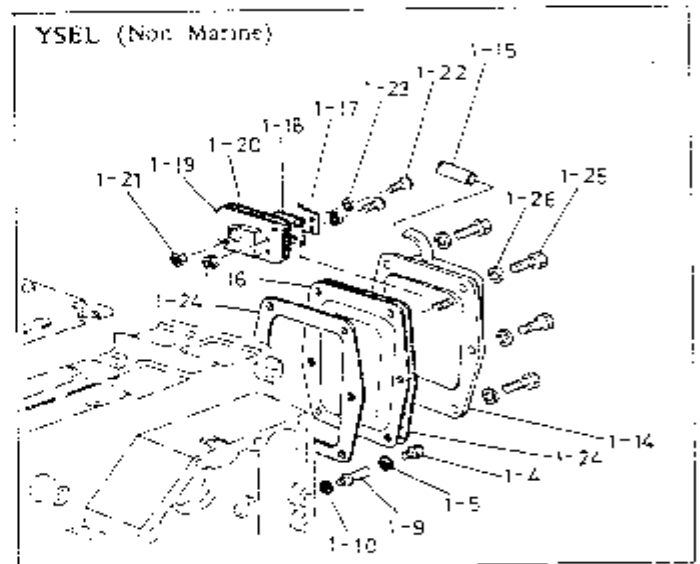
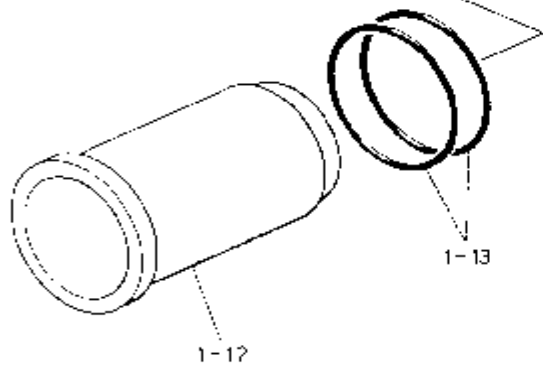
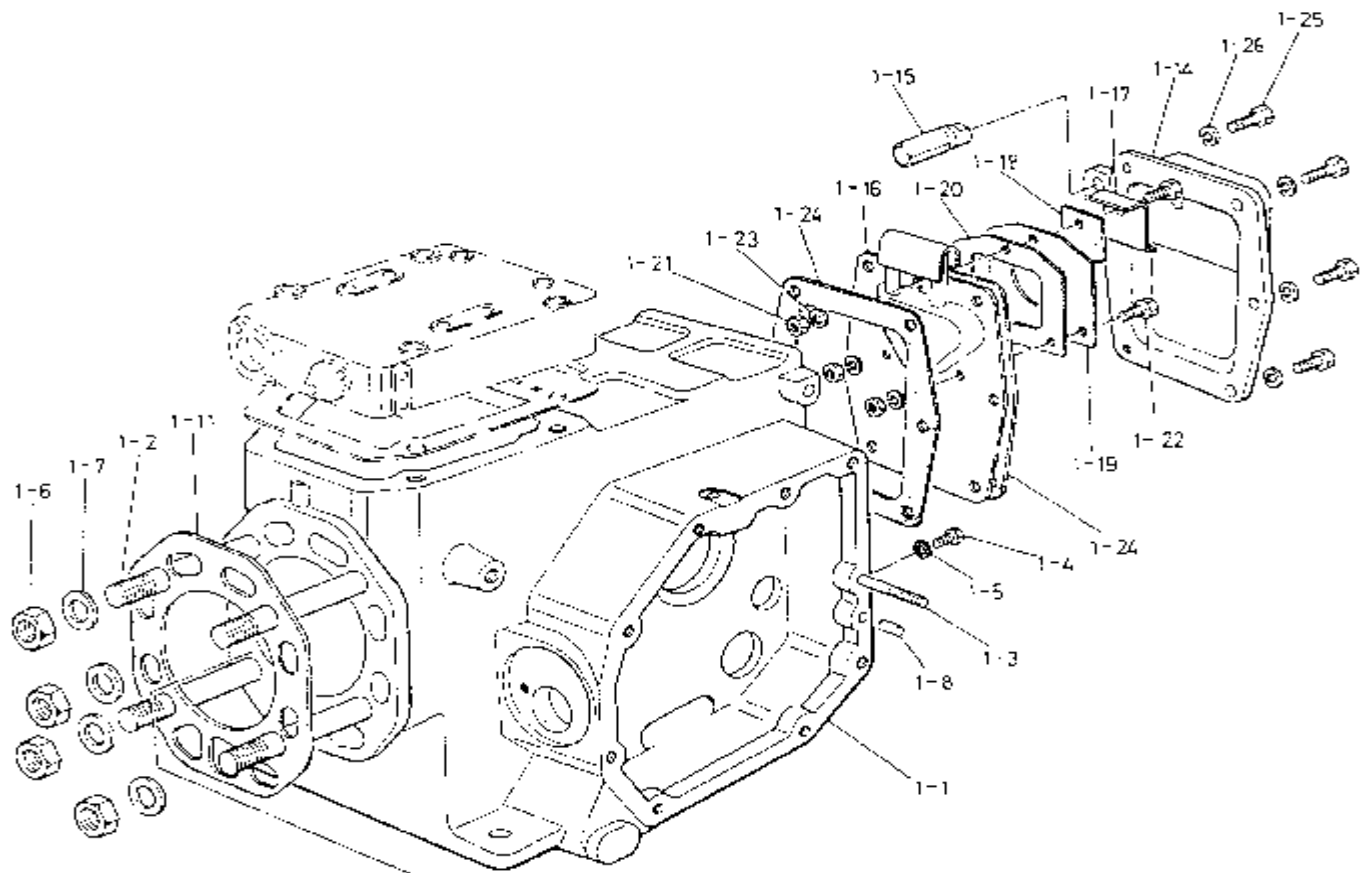
リファ ナンバ Ref. NO.	キャタログ Description	Part No.	Q'ty				Sales Limit	リマーク Remarks
			YSE 17	YSE 17	YSE 8L	YSE 13L		
1-1	シリンダー ブロック アッセンブリ CYL. BLOCK ASSY	241h-298ℓ	704211-01560	1	1			
		279h-368ℓ	704511-01560		1	1		
1-2	スタッド ボルト STUD, cyl. head	12d-122ℓ	104200-01201	4		4	10	
		13d-132ℓ	104300-01200		4	4	10	
1-3	スタッド ボルト STUD, cyl. side cover	M6-45	26212-060452	1	1	1	10	
		M6-35	26212-060352		1	1	10	
6-15	メイン ベアリング MAIN BEARING		See page 10	1		1		
			See page 10		1	1		
1-4	ドレン プラグ DRAIN PLUG oil pan	16xd-2R 5ℓca	104200-01690	1	1	1	10	
1-5	パッキング PACKING	21od-1t	23414-160000	1	1	1	10	
1-6	ナット NUT, cyl. head	21.6od-12t	10115B-01220	4		4	10	
		25.4od-11t	104300-01220		4	4	10	
1-7	ワッシャー WASHER, cyl. head	20-4t	104200-01240	4		4	10	
		22-4t	10333B-01240		4	4	10	
1-8	パラレル ピン PARA. LEL. PIN	5d-16ℓ	22312-050160	1	1	1	10	
13-19	ニードル ベアリング NEEDLE BEARING		See page 28	2	2	2		
13-20	スペーサー SPACER, bearing		See page 28	1	1	1		
1-9	ドレン パイプ DRAIN PIPE	145ℓ	104300-01630			1	10	
1-10	パッキング PACKING	21od-1t	23414-160000			1	10	
1-11	ガスケット PACKING, gasket	124w-146ℓ	104200-01330	1		1	10	
		136w-162ℓ	104500-01330		1	1	10	
1-12	シリンダー リンナー CYL. LINER ASSY	90.5od-138ℓ	704211-01900	1				S Old @ New \$ Old @ New
		105od-164ℓ	704200-01900 704511-01900 704500-01900	1		1		
1-13	パッキング PACKING, runner	3.1t-90.5od	101204-01300	2		2	10	
		3.1t-104.1od	10333B-01300		2	2	10	
1-14	リア カバー アッセンブリ REAR COVER ASSY, cyl.	120w-154h	704214-01520	1	1			
		120w-154h	704211-01520			1		
1-15	パイプ PIPE, air breather	12od-180ℓ	23064-090180	1	1	1	5	

Remarks:

S. a: Up to Feb. '73.

Exchangeable. Order New type

シリンダー ブロック
 Fig.1 CYLINDER BLOCK

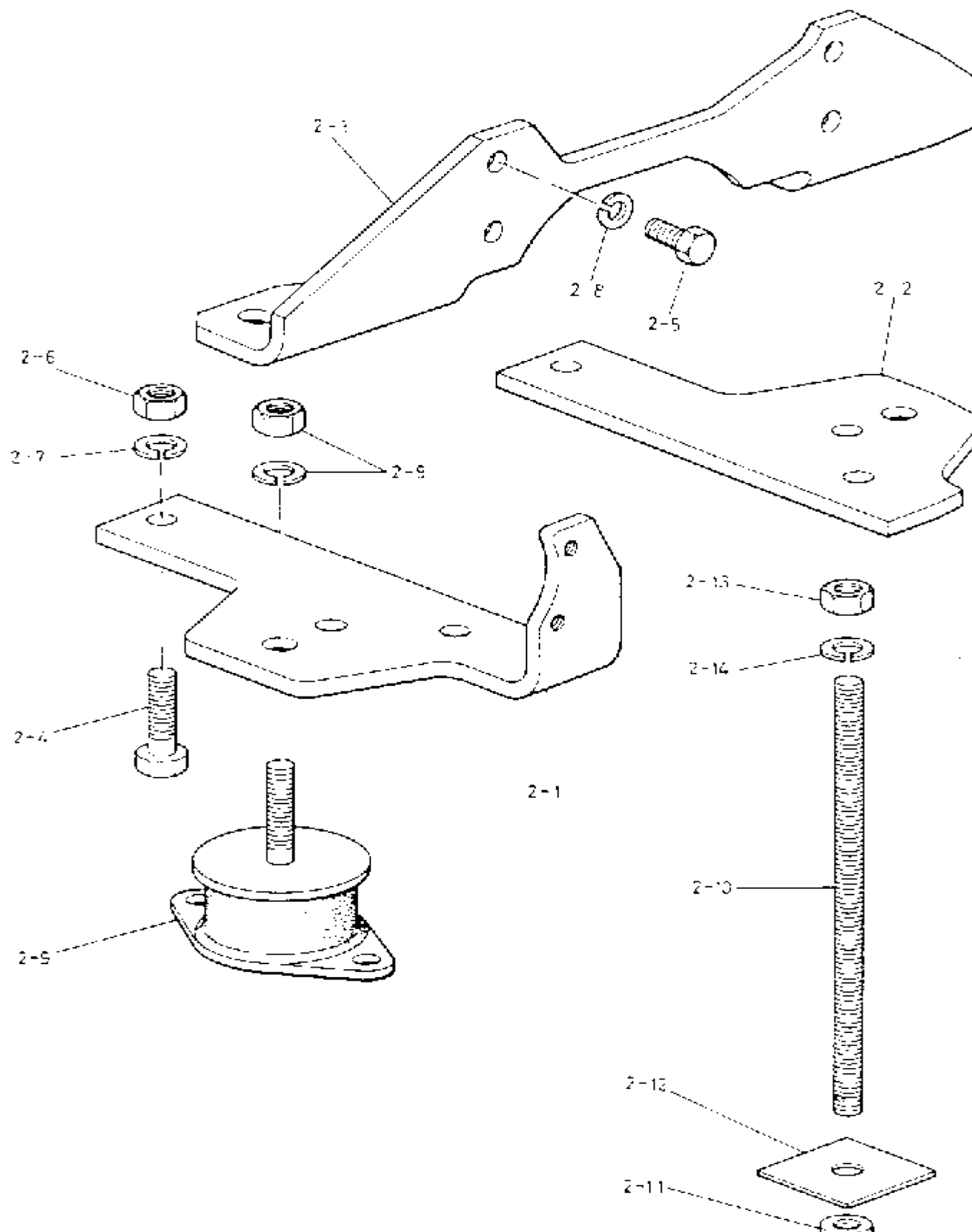


シリンダー ブロック
1. CYLINDER BLOCK

品番 No. Ref. NO.	品名 Description	単位 Part No.	数量 QTY	YSE YSE 12	YST YST 91	YST YST 121	YST YST 121	Sales Unit	Remarks
1-16	シールドプレート SHELTER PLATE, air breather	117w-170f 117w-170f 117w-148f	104204-03080-1 104104-03080 104504-03080 104200-03080	1 1 1					
1-17	プレート PLATE, check valve press	22w-34.5f 22w-33f	104104-03110 101158-03111	1 1				10 10	
1-18	チェックバルブ CHECK VALVE, air breather	22w-33f 22w-33f	104104-03080 101158-03081	1 1				10 10	
1-19	プレート PLATE, check valve	55w-72f 55w-60f	104104-03120 104200-03080	1 1				1 1	
1-20	パッキング PACKING	55w-72f 50w-60f	104104-03130 104200-03100	1 1				10 10	
1-21	ナット NUT, check valve	M4 M5	26757-040002 26757-050002	3 3				10 10	
1-22	ネジ SCREW, check valve	M4-10 M4-5	26557-040102 26557-040062	2 2				10 10	
1-23	スプリングワッシャー SPRING WASHER	1.6x1.1	22217-040000	2	2	2	2	10	
1-24	パッキング PACKING, cyl rear cover	114w-148h	104200-01490	2	2	2	2	10	
1-25	ボルト BOLT, cy rear cover	M6-12	26717-050129	6	6	6	6	10	
1-26	スプリングワッシャー SPRING WASHER	12.2x1.15t	22217-050000	6	6	6	6	10	

Remarks:
① 104104-03080 (correct), 104204-03080 (miss print).

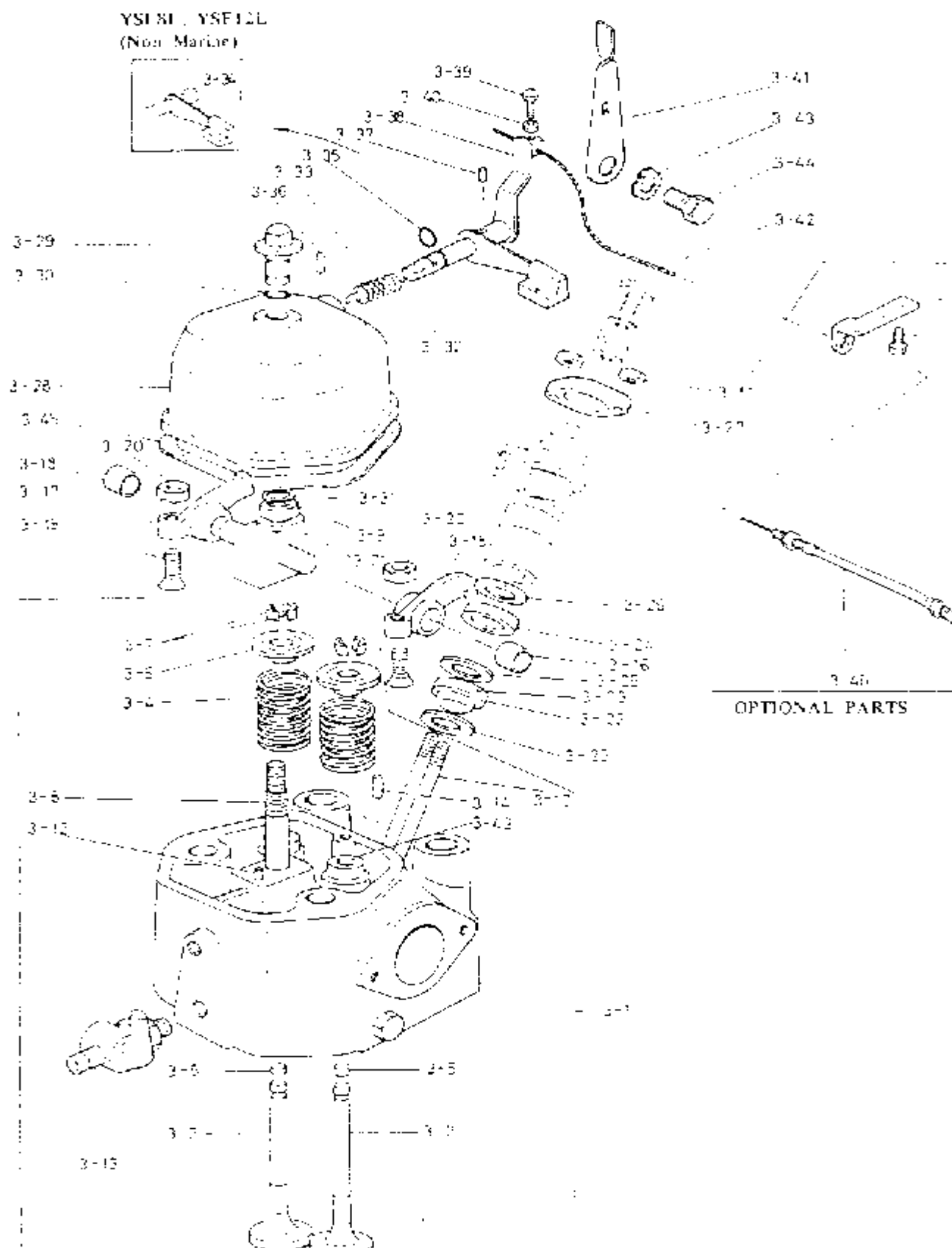
ファンデーションプレートおよびボルトのインストール（オプションパーツ）
Fig.2 FOUNDATION PLATE & BOLT FOR INSTALLATION (OPTIONAL PARTS)



ファンデーションプレートおよびボルトフォアインストールション(オプションパーツ)
 2. FOUNDATION PLATE & BOLT FOR INSTALLATION (OPTIONAL PARTS)

品番 Part No.	品名 Description	規格 Spec.	標準 Part No.	数量				備考 Remarks
				標準 数量	増設 数量	削減 数量	合計 数量	
オプションパーツ "OPTIONAL PARTS"								
ファンデーションプレートアッセンブリ FOUNDATION PLATE ASSY				704214-08100	1			
				704514-08100				
2-1	プレート -PLATE, enc. front	113w-257f	104214-08100	1				
		125w-257f	104514-08100					
2-2	プレート -PLATE, enc. rear	113w-220f	104214-08110	1				
		125w-220f	104514-08110					
2-3	プレート -PLATE, clutch	470f	104214-08120	1				
		470f	104514-08120					
2-4	ボルト -BOLT, front & rear plate	M12-40	2611E-120402	4	4		10	
2-5	ボルト -BOLT, clutch	M10-22	2611E-100222	4	4		10	
2-6	ナット -NUT, front & rear plate	M12	26716-120602	4	4		10	
2-7	スプリングワッシャー SPRING WASHER	21.5cc-3t	22217-120002	4	4		10	
2-8	スプリングワッシャー SPRING WASHER	15.4cc-2.5t	22217-100000	4	4		10	
2-9	ショックアブソーバワッシャー SHOCK ABSORBER W/NUT	90f	104214-08340	4	4		4	
オプションパーツ "OPTIONAL PARTS"								
ファンデーションボルトアッセンブリ FOUNDATION BOLT ASSY				704214-52300	1	1		
2-10	ボルト -BOLT	M12-270	104214-92900	4	4		10	
2-11	ナット -NUT, under	21.5cc-10f	104214-92330	4	4		10	
2-12	スクエアワッシャー SQUARE WASHER	57w-52f	102410-92240	4	4		10	
2-13	ナット -NUT, upper	M12	26717-121002	4	4		10	
2-14	スプリングワッシャー SPRING WASHER	21.5cc-3t	22217-120000	4	4		10	
2-15	コッターピン COTTER PIN	5cc-35f	22411-300320	4	4		10	

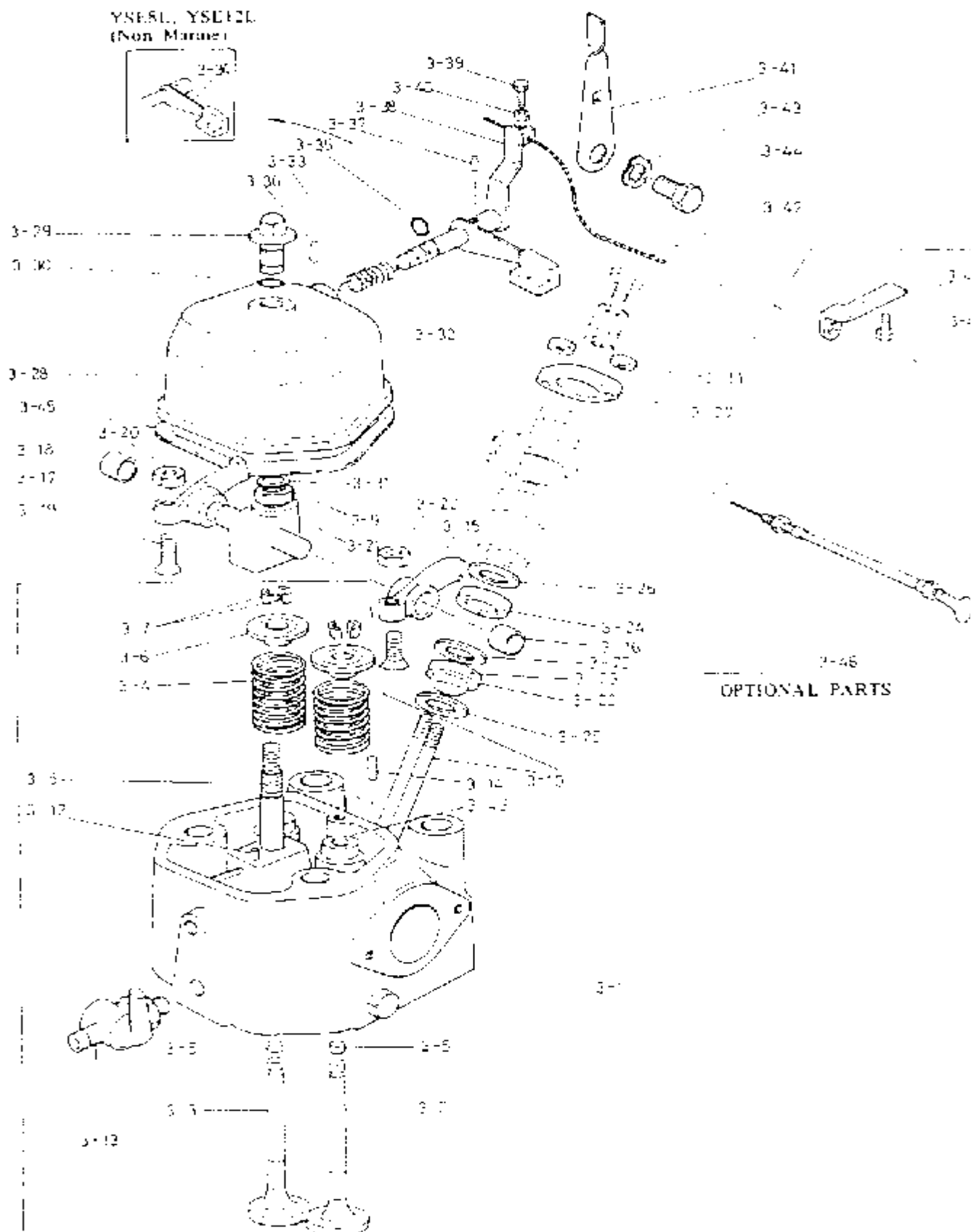
シリンダーヘッドおよびデコンプレッションリモートコントロール
 Fig 3 CYLINDER HEAD & DE-COMPRESSION REMO CON



シリンダーヘッドおよびデコンプレッションリモートコントロール
 3. CYLINDER HEAD & DE-COMPRESSION REMO. CON.

Part No.	Description	Part No.	Qty				Sales Unit	Remarks
			YSTR	YSP	YSE	YSO		
3-1	CYL. HEAD ASSY	124w-152f	704211-11700	1	1			
		136w-168f	704511-11700			1		
3-2	VALVE, suction	22d-24.8f	104211-11100	1	1		10	
		26.5d-31.1.5f	104511-11100	1			10	
3-3	VALVE, exhaust	27d-24.8f	104211-11110	1	1		10	
		30.5d-31.1.5f	104511-11110	1	1		10	
3-4	SPRING, s.c./exh. valve	27.7d-40f	104211-11120	2	2		10	
		24.7d-40f	104511-11120	2	2		10	
3-5	RETAINER, valve head	11d-2.9t	104211-11370	2	2		10	
		12d-2t	104511-11370	2	2		10	
3-6	RETAINER, valve spring	28d-11.3t	104211-11160	2	2		10	
		23d-12t	103538-11160	2	5		10	
3-7	COTTER, valve spring	11d-9.5t	101355-11190	2	2		10	
		11.5d-11t	103328-11190	2	2		10	
3-8	STUD, valve rocker arm support	10d-76.6t	104200-11350	1	1		10	
		10d-80.6t	104500-11350			1	10	
3-9	NUT, valve rocker arm & point M10		26726-100002	1	1	1	10	
3-10	STUD, fuel injection valve	8d-61.7t	25217-080702	2	2		10	
		8d-61.6t	25217-080602	2	2		10	
3-11	NUT, fuel injection valve	M8	26717-080002	2	2	2	10	
3-12	SPRING PIN, rocker arm support	80d-12f	22351-083012	1		1	10	
3-13	CHAIN COCK	19d-62f	104200-11920	1	1	1	10	
3-14	SPRING PIN, bonnet	6d-10f	22351-040014	1	1	1	10	
3-15	ROCKER ARM ASSY, suc. valve	63.5f	104200-11380	1	1		5	
		66f	104311-11380				5	
			104500-11380	1				
			104511-11380					
3-16	BUSH, rocker arm	14d-14.4		1	1		8 ord. inv	
		15d-17.4				1	1 0.16e. ass	

シリンダーヘッドおよびデコンプレッションリモートコントロール
 Fig.3 CYLINDER HEAD & DE-COMPRESSION REMO. CON.

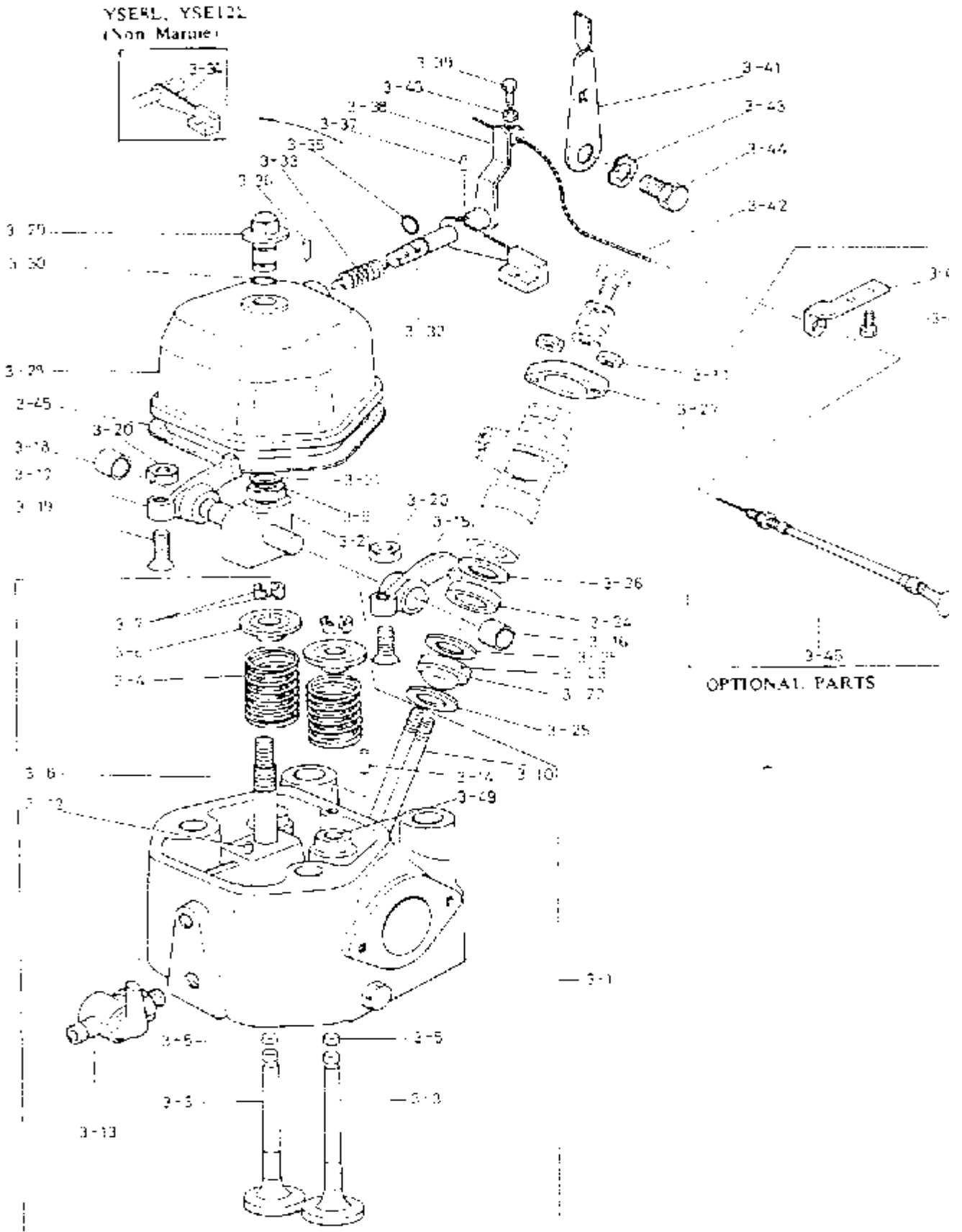


シリンダ ヘッド 及び デコンプレッション レモート コントロール
3. CYLINDER HEAD & DE-COMPRESSION REMO. CON.

Part No.	Description	Part No.	QTY				Sales Unit	Remarks
			YSL	YLD	YLR	YLN		
3-17	ROCKER ARM ASSY, exh valve	62.5 ℓ 60 ℓ	104200-11350 (104211-11350) 104500-11350	1			5 5	
3-18	BUSH, rocker arm	14.0 ℓ 14 ℓ 18.0 ℓ 17 ℓ		1		1	5 5	order assy order assy
3-19	SCREW, rocker arm adjusting	M5-30	101158-11230	2	2	2	10	
3-20	NUT, rocker arm adjusting	M5	26757-08002	2	2	2	10	
3-21	SUPPORT, valve rocker arm	35h-50 ℓ 40h-60 ℓ	104200-11260 104500-11260	1		1	5 5	
3-22	CHAMBER ASSY, front pre-combus.	29.0 ℓ -24h 32.0 ℓ -26.5h	104200-11420 104500-11420	1		1	5 5	
3-23	PIN, front pre-combus, chamber id.	2 ℓ		1	1	1	5	order assy
3-24	CHAMBER, rear pre-combus	29.0 ℓ -8.5h 32.0 ℓ -12h	104200-11410 104338-11410	1		1	5 5	
3-25	PACKING, pre-combus, chamber	28.5.0 ℓ -2.5 ℓ 31.0.0 ℓ -2.5 ℓ	101204-11450 101704-11450	2		2	10 10	
3-26	INSULATOR, chamber heating	24.5.0 ℓ -1 ℓ	103854-11430	1	1	1	10	
3-27	FLANGE, fuel injection valve	32 ℓ -11 ℓ	101147-11300	1	1	1	5	
3-28	BONNET ASSY	38.5w-117.5 ℓ 36w-134.5 ℓ	104200-11520 104500-11520	1		1	5 5	
3-29	KNOB, bonnet	22 ℓ -37 ℓ	104200-11350	1	1	1	5	
3-30	O-RING, bonnet knob	14.5 ℓ -1.5 ℓ	104700-11850	1	1	1	10	
3-31	CIRCLIP, bonnet knob	16.3.0 ℓ -1 ℓ	02242-060140	1	1	1	10	
3-32	DECOMP. SHAFT			1	1	1	5	order assy
3-33	DECOMP. SPRING	13.2.0 ℓ -24 ℓ	104700-03641	1	1	1	10	
3-34	DECOMP. LEVER	15w-67.5 ℓ	104104-03750		1	1	5	

(TO BE CONTINUED TO THE NEXT PAGE)

シリンダーヘッドおよびデコンプレッションリモートコントロール
 Fig.3 CYLINDER HEAD & DE-COMPRESSION REMO. CON

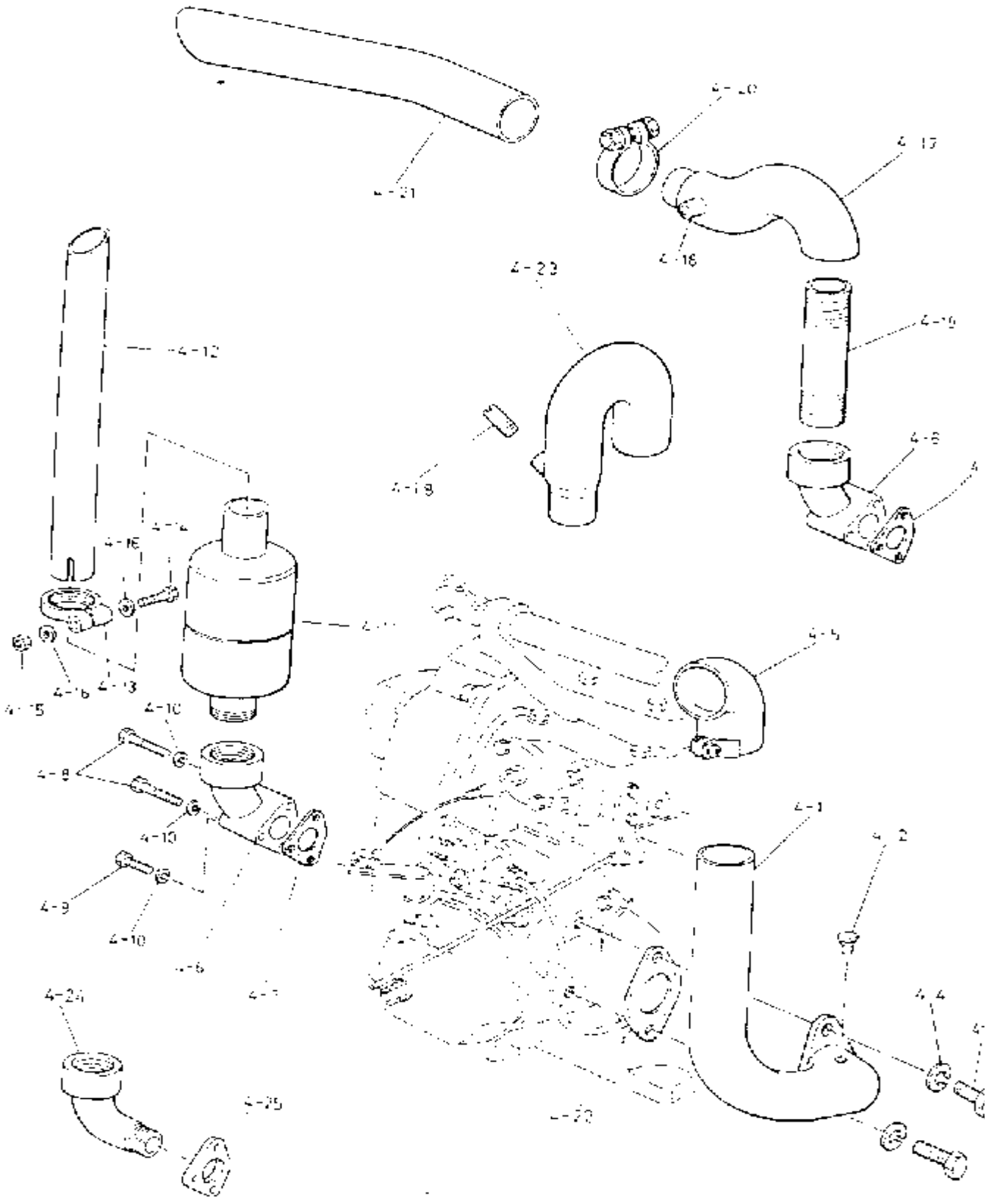


シリンダーヘッドおよびデコンプレッションリモートコントロール
 3. CYLINDER HEAD & DE-COMPRESSION REMO. CON.

Ref. No.	Description	Part No.	QTY					Remarks		
			YSL	YSL	YSL	YSL	YSL			
3-35	O RING		1	1	1	1	1	④	Order Assy	
3-36	PARALLEL PIN		1	1	1	1	1	④	Order Assy	
3-37	TAPER PIN	3c 16c	22322	037160	1	1	1	1	10	
3-38	DECOMP. LEVER IAC ASSY	4Bw-50c	104211-03740		1	1			5	Use YSL YSL
3-39	BOLT, lever	M5-12	26113-050129		1	1			10	
3-40	NUT, lever	M5	26753-050002		1	1			10	
3-41	DECOMP. LEVER IBI	77c-2.3c	104211-03750		1	1			5	
3-42	DECOMP. WIRE	450c-1.5c 520c-1.5c	104211-03850 104511-03850		1		1			
3-43	WASHER, decomp. lever	12.5cnd-0.3c	104211-03840		1	1			10	
3-44	BOLT, decomp. lever	M6 18.3	104211-66740		1	1			10	
3-45	PACKING, bonnet	117.5c 95.5w 134.5c 98w	104200-11310 104500-11310		1		1		10 10	
3-49	GU DE valve	44c 55c	105282-11160 105582-11160		2		2			⑤ ⑤
	OPTIONAL PARTS									
	DE-COMPRESSION REMOTE CONTROL EQUIPMENT		104214-03700		1	1				
3-46	WIRE WRETTON	3000c	104214-03720		1	1				
3-47	SUPPORT	80c-2.3c	104214-03710		1	1				⑤
3-48	BOLT	M6-12	26117-050129		2	2			10	⑤

Remarks:
 ④ Discontinued from March, '74
 ⑤ Addition from May, '74

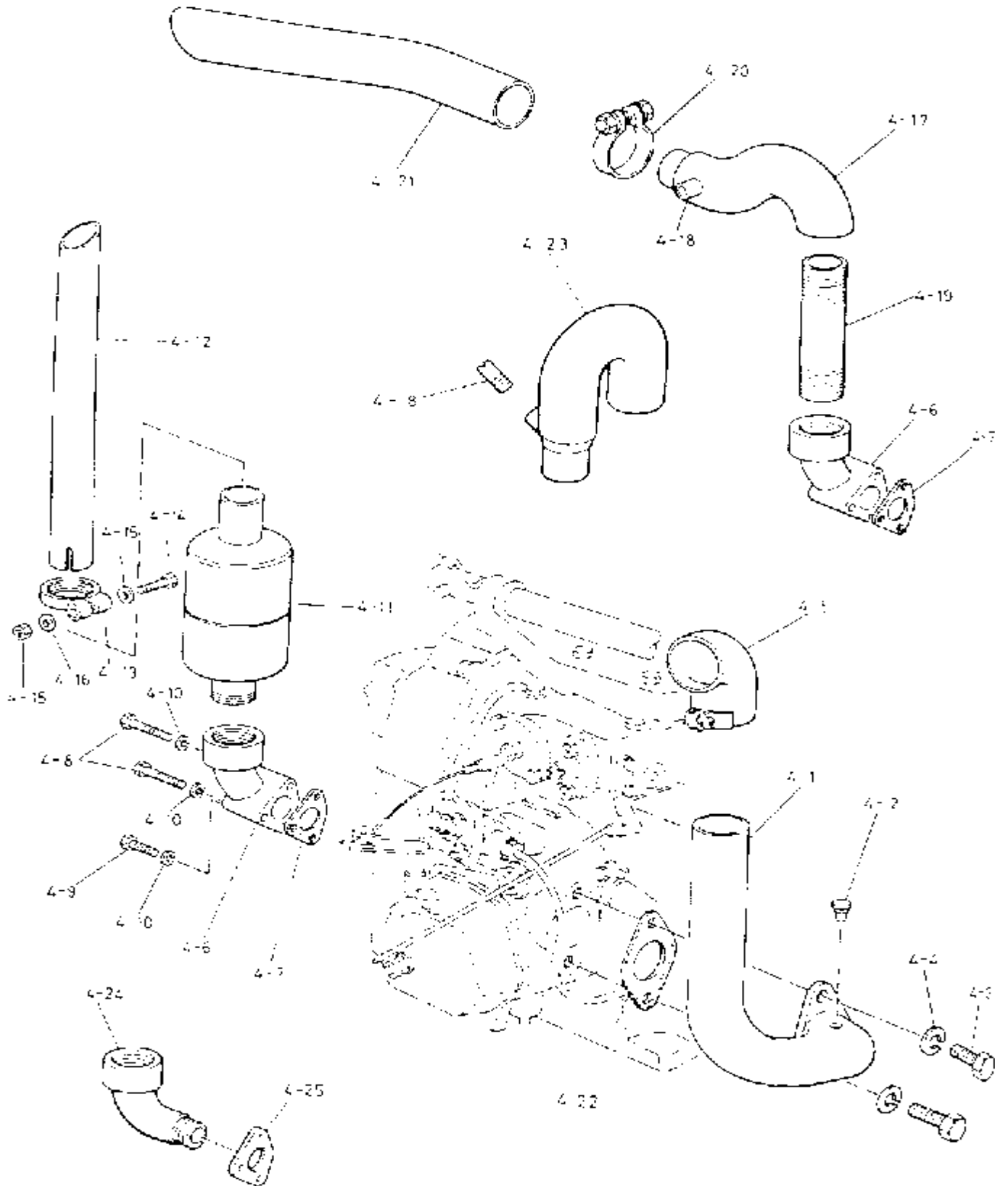
7
 サクションパイプ および エグゾースト エルボ
 Fig. 4 SUCTION PIPE & EXHAUST ELBOW



アクションノイズ および エグゾースト エルボ
 4. SUCTION PIPE & EXHAUST ELBOW

No. Ref. No.	Description	Part No.	Quantity				Sales Unit	Remarks
			1970	1971	1972	1973		
4-1	PIPE, suction	183h	104214	12020	1	1		
		192h	104514	12020	1	1		
4-2	CAMP, gasoline spray	19h	104200-12030	1	1	1	10	
4-3	BOLT, suction pipe	M8-25.5	25117-080189	2	2	2	2	10
4-4	SPRING WASHER	15.4cd-2t	22217-080000	2	2	2	2	10
4-5	ELBOW, suction	75h	104211-12110	1	1			
		75h	104511-12110	1	1			
4-6	ELBOW, exhaust	130h-P1-1.1/2	104211-13070	1	1			
		146h-P1-1.1/2	104511-13070	1	1			
4-7	PACKING, exh. gasket	70f-2t	104211-15200	1	1			10
		87f-2t	104500-15200	1	1			10
4-8	BOLT, exh. elbow	M8-85	25113-080652	2	2			10
		M8-70	25113-080702	1	1			10
4-9	BOLT, exh. elbow	M8-40	25113-080402	1	1			10
		M8-35	25113-080352	2	2			10
4-10	SPRING WASHER	15.4cd	22217-080000	3	3	3	3	10
4-11	SILENCER	100cd-245f	104211-12530	1				
		135cd-254f	104511-12530			1		
4-12	PIPE, exhaust	43cd-545f	104211-13080	1	1			
4-13	CAMP, exhaust pipe	87cd-14t	104211-13530	1	1			2
4-14	BOLT, clamp	M8-80	25117-080802	1	1			10
4-15	NUT, clamp	M8	25717-080002	1	1			10
4-16	WASHER, clamp	18cd-1.6t	22137-080000		2	2		10
4-22	PACKING, suction pipe		104211-12100	1	1			10
			104511-12100	1	1			10

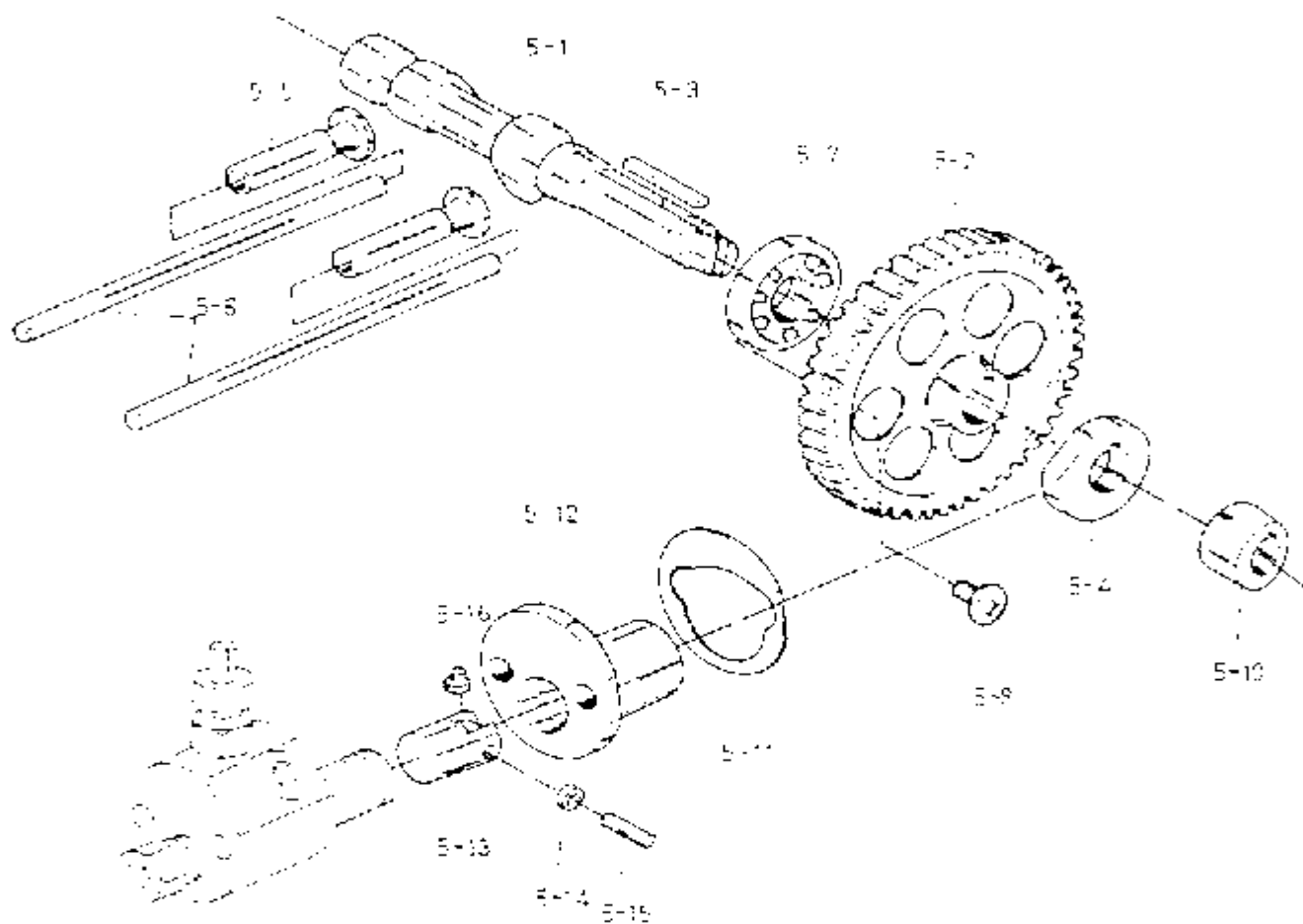
サクションパイプ および エグゾースト エルボ
 Fig.4 SUCTION PIPE & EXHAUST ELBOW



サクションパイプ および エグゾースト エルボ
 4. SUCTION PIPE & EXHAUST ELBOW

品番 Ref. NO.	品名 Description	Part No.	数量 Quantity			標準 Sales Unit	備注 Remarks
			個 YIELD	箱 CASE	組 SET		
	オプションパーツ "OPTIONAL PARTS"						
	エキゾーストサイレンサー アッシー EXHAUST SILENCER ASSY.	704214-13700	1				
	dry type	704514-13700	1				
4-11	SILENCER 100mm 245ℓ 135mm 254ℓ	104211-13530 104511-13530	1				
4-12	PIPE, exhaust 43mm 545ℓ	104211-13060	1	1			
4-13	CLAMP, exhaust pipe 67mm 14ℓ	104211-13580	1	1			
4-14	BOLT, clamp M8-65ℓ	20117-0E0602	1	1		10	
4-15	NUT, clamp M8	20717-080002	1	1		10	
4-16	WASHER, clamp 15mm 1.5t	27137-000000	2	2		10	
	オプションパーツ "OPTIONAL PARTS"						
	エキゾーストサイレンサー アッシー EXHAUST SILENCER ASSY.	48mm-231ℓ	1	1			
	wet type	104214-13500	1	1			
4-17	SILENCER, water injection		1	1		5	order assy
4-18	JOINT, water pipe PT 1/4"-22ℓ	104211-49060	1	1		5	
	ウォーターミキシングエルボ WATER MIXING ELBOW, (U type)	179ℓ-142w	1	1			
4-23	ELBOW, water mixing		1	1		5	order assy
4-18	JOINT, water pipe PT 1/4"-22ℓ	104211-49060	1	1		5	
4-24	FLOW W/FLANGE (universal type)	704214-13200 704514-13270	1				
4-25	FLANGE					5	order with elbow order with elbow
	アディション "ADDITION"						
4-19	JOINT						
4-20	CLAMP	Supply on the spot					
4-21	PIPE						

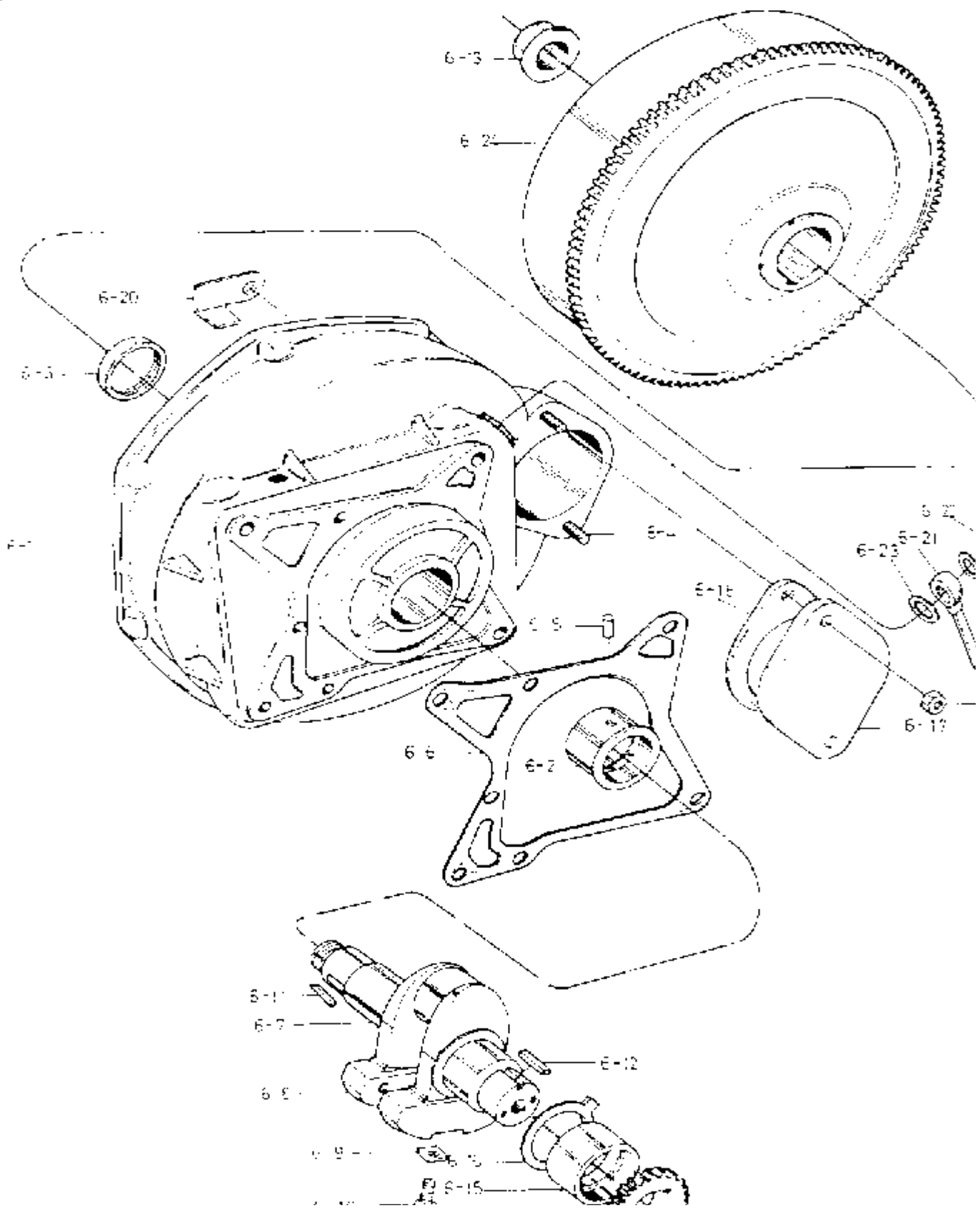
Fig.5 カム シャフト
CAM SHAFT



カム シャフト
5. CAM SHAFT

Ref. No.	Description	Part No.	Qty.				Sales Unit	Remarks
			Req.	Inv.	On H.	On S.		
5-1	CAM SHAFT	1027	104200	14010	1	1		
		2127	104500	14010	1	1		
5-2	GEAR, camshaft	120c-25t	104200	14100	1	1		
		140c-25t	104500	14100	1	1		
5-3	KEY, camshaft gear	5w-38f	103338	14180	1	1	1	10
5-4	FUEL CAM	417-9t	101158	14090	1	1		
		6257-9t	104300	14090	1	1		
5-5	TAPPE	20c-54f	104200	14200	2	2		
		26c-57f	103338	14200	2	2		
5-6	PUSH ROD	6c-175f	104200	14400	2	2		10
		7c-201f	104500	14400	2	2		10
5-7	BALL BEARING	42od-10t	24101	060044	1	1	5	6004
		55od-10t	24101	060064	1	1	5	6006
5-8	SCREW	M8-12	26587	060122	1	1	1	10
5-9	NUT, camshaft	30od-18t	104300	76400	1	1	1	10
5-10	SPACER	28c-17t	104210	14480	1	1		10
		38c-17t	104510	14480	1	1		10
5-11	SHIM SFT, adjust	58.5c	104000	54130	1	1	1	10
5-12	MOUNT, fuel injection pump	58.5c-60f	104200	54010	1	1	1	
5-13	ROLLER GUIDE ASSY	22d-26f	174200	54500	1	1	1	
5-14	ROLLER ASSY		174100	54180	1	1	1	10
5-14	ROLLER	5c-15f	174100	54110	1	1	1	10
5-15	PIN	7c-21.5f	174100	54120	1	1	1	10
5-16	STOPPER, roller guide lock	11c-7.5t	174100	54190	1	1	1	10

メインベアリングおよびクランクシャフト
Fig.6 MAIN BEARING & CRANKSHAFT



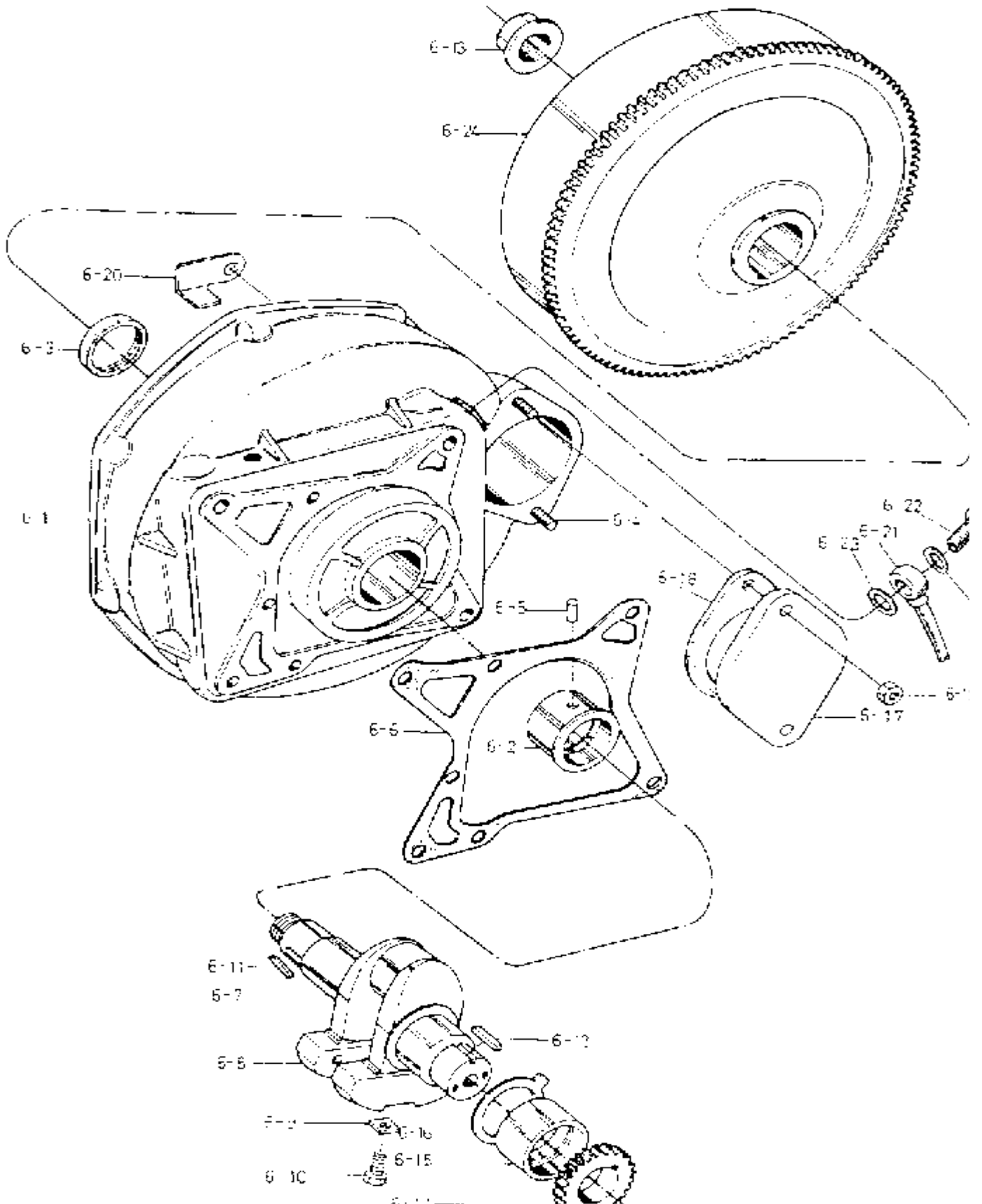
メインベアリングおよびクランクシャフト
6. MAIN BEARING & CRANKSHAFT

品番 Ref. No.	品名 Description	規格 Part No.	数量 Qty				在庫 Stock	備注 Remarks	
			計 Total	新 New	旧 Old	取 Use			
6-1	ハウジング アッセンブリ HOUSING ASSY, flywheel	126w-344cc	704211-02500	1	1				
		152w-375cc	704511-02500	1					
6-2	メインベアリング MAIN BEARING	60cd-27.5w	104200-02120	1	1				
		70cd-30w	103338-02120	1					
6-3	オイルシール OIL SEAL, crankshaft	60cd-9t	104200-02220	1	1		5 5 OLD		
		70cd-9t	103338-02220	1	1		7 5 OLD		
			104211-02220	1			5 5 NEW		
			104511-02220	1			5 5 NEW		
6-4	スタッド STUD	10cd-37f	25216-100222	2	2	2	2	10	
6-5	ピン PIN	3.5d-3.5f	102109-02190	1	1	1		10	
6-6	パッキング, flywheel housing PACKING, flywheel housing	163w-209f	104211-02020	1	1			5	
		185w-223f	104511-02020	1				5	
6-7	クランクシャフト アッセンブリ CRANKSHAFT ASSY	219f	704211-21200	1	1				
		254.5f	704511-21200	1					
6-8	バランス重り BALANCE WEIGHT	23.8w-84f	104211-21100	2	2				5 OLD
		23w-104f	104511-21100	2	2	2			5 OLD
			104200-21100	2	2				5 NEW
			104500-21100	2	2				5 NEW
6-9	ワッシャー, balance weight WASHER, balance weight	23w-28f	103335-21140	2	2	2		10	
6-10	ボルト, balance weight BOLT, balance weight	M10-45	20152-100451	2	2	2		10	
6-11	キー, flywheel KEY, flywheel	10w-32f	22510-100300	1	1			10	
		8w-35f	103338-21130	1				10	
6-12	キー, crankshaft gear KEY, crankshaft gear	5w-10f	101155-21290	1	1			10	
		7w-13.5f	101300-21290	1			1	10	
6-13	エンドミット END MITT	27w-55cd	104200-21530	1	1			2	
		27w-58cd	103854-21530	1			1	2	
6-14	ギア, crankshaft GEAR, crankshaft	11t-69.cd	104211-21200	1	1				
		16t-72.cd	104511-21200	1					
6-15	メインベアリング MAIN BEARING	48cd-25w	104200-02100	1	1				
		57cd-27.5w	104500-02100	1					
6-16	メイン thrust bearing MAIN THRUST BEARING	59cd-2.5t	104200-02110	1	1			5	
		70cd-2.5t	104500-02110	1			1	5	

Remarks

①, ② Interchangeable. Changed from Jun. '72
% & Interchangeable. Changed from Jun. '72.

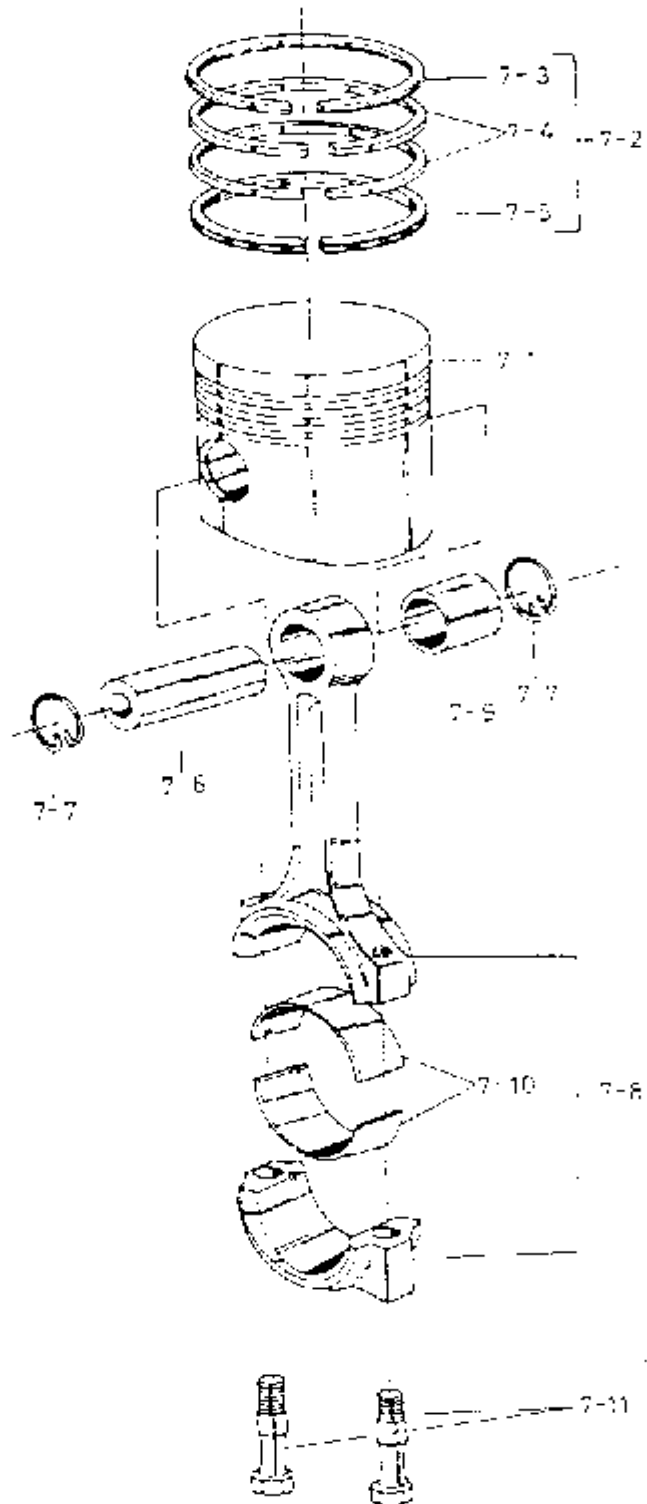
メイン ベアリング および クランクシャフト
Fig.6 MAIN BEARING & CRANKSHAFT



6. メインベアリングおよびクランクシャフト
 6. MAIN BEARING & CRANKSHAFT

* 参考 番号 Ref. NO.	品名 Description	規格 Part No.	クランクシャフト Q'ty.				Sales Unit	備考 Remarks
			YSE10	YSE11	YSE12	YSE13		
6-17	マウントカバー BLIND COVER	134℄-11℄	104211-02310	1	1	1		use only YSE6C YSE12C non ec. starter
6-18	パッキング PACKING, blind cover	134℄	104211-77080	1	1	1	10	
6-19	ナット NUT, blind cover or garter	M10	26716-103002	2	2	2	10	
6-20	バaffleプレート BAFFLE PLATE	20w-50℄	104211-02860	1	1	1	10	
		14w-50℄	104511-02860	1	1	1	10	
6-21	パイプ PIFF, breather	8cd-156℄	104211-02890	1	1	1	10	
6-22	ボルト, pipe joint	8sd-23℄	101147-59430	1	1	1	10	
6-23	パッキング PACKING	12od-1t	23414-080000	2	2	2	10	
6-24	フライホイール FLYWHEEL W/RING GEAR	293.0d-107w	104211-21590	1	1	1		for elec. starter
		324.3d-120w	104511-21590	1	1	1		
	フライホイール FLYWHEEL, without ring gear	280d-107w	104211-21400	1	1	1		for non elec. starter
		283.6d-120w	104511-21400	1	1	1		
オプションパーツ "OPTIONAL PART"								
6-2	メインベアリング MAIN BEARING, (U.S. 0.25)		104200-02150	1	1	1		
			104500-02150	1	1	1		
	メインベアリング MAIN BEARING, (U.S. 0.5)		104200-02160	1	1	1		
			104500-02160	1	1	1		
6-15	メインベアリング MAIN BEARING (U.S. 0.25)		104200-02130	1	1	1		
			104500-02130	1	1	1		
	メインベアリング MAIN BEARING, (U.S. 0.5)		104200-02140	1	1	1		
			104500-02140	1	1	1		

ピストン および コネクティング ロッド
 FIG.7 PISTON & CONNECTING ROD



ピストン および コネクティング ロッド
7. PISTON & CONNECTING ROD

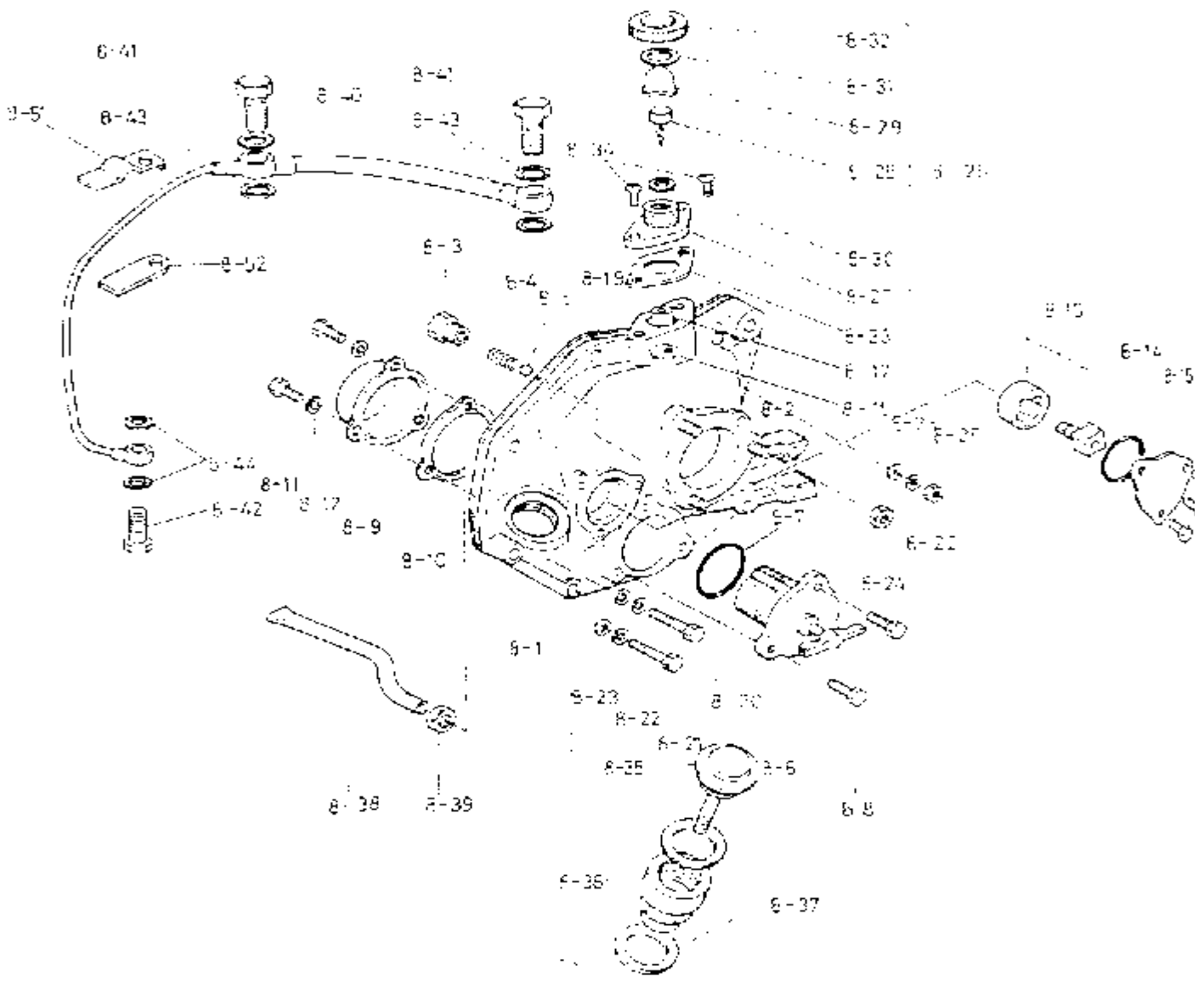
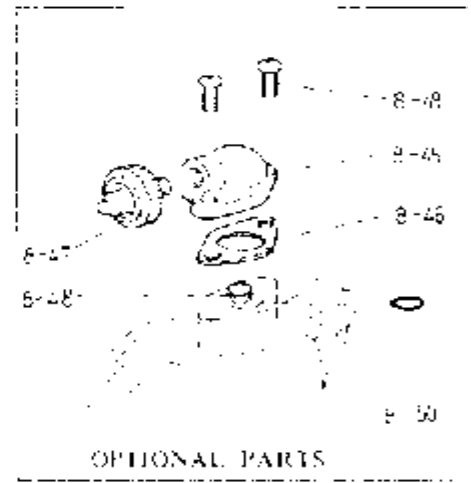
品番 Part No.	品名 Description	部品番号 Part No.	数量 Quantity				単位 Units	備考 Remarks
			10 10	20 20	30 30	40 40		
7-1	ピストン アセンブリ PISTON ASSY	75d-72f	104211	22090	1	1		
		85d-88f	104511	22090			1	
7-2	リング セット RING SET		704200	22500	1		5	
			704500	22500		1		5
7-3	リング RING, No. 1	75od-2t				1		+
		85od-2 5t				1		+
7-4	リング RING, No. 2, No. 3	75od-2t			2	2		+
		85od-2 5t				2	2	+
7-5	リング RING, oil control	75od-4t			1			+
		85od-4t				1		+
7-6	ピストン ピン PISTON PIN	231-63f	104200	22300	1	1		5
		231-71f	103438	22300	1	1		5
7-7	サークル CIRCLIP, piston pin	24.5d-14t	122100	22400	2	2		10
		30d-14t	124250	22400	2	2		10
7-8	コネクティング ロッド アセンブリ CONNECTING ROD ASSY	180 5f	704200	23100	1	1		S Old
		219 5f	704500	23100		1		S Old
		180 5f	704211	23100	1	1		Q New
		219 5f	704511	23100	1	1		Q New
7-9	ブッシュ RUSH, piston pin	25od-27w	104200	23100	1	1		
		31od-31w	103458	23100			1	
7-10	コネクティング ロッド ベアリング CONN. ROD BEARING	45od-26w	104200	23340	1	1		
		49od-28w	103339	23300			1	
7-11	ボルト BOLT, connecting rod	465f-8sd	104200	23200	2	2		2 S Old
		53.5f-8sd	104500	23200			2	2 S Old
		46.5f-8sd	104211	23200	2	2		2 Q New
		60.5f-8sd	104511	23200			2	2 Q New
オプション パーツ "OPTIONAL PART"								
7-10	コネクティング ロッド ベアリング (U.S. 0.25) CONN. ROD BEARING (U.S. 0.25)		104200	23350	1	1		
			104500	23350			1	

Remarks:
S, Q Design changed from Jan. '73
Exchangeable with ROD ASSY.

ピストン および コネクティング ロッド
 7. PISTON & CONNECTING ROD

品名 品番 Ref. No.	品名 Description	品番 Part No.	数量 QTY			Sales Unit	備 考 Remarks
			個 PC	箱 PK	計 TOT		
7-10	コネクティング ロッド ベアリング CONN. ROD BEARING (U.S. O.B.)	104200-23360	1		1		
		104500-73300		1	1		

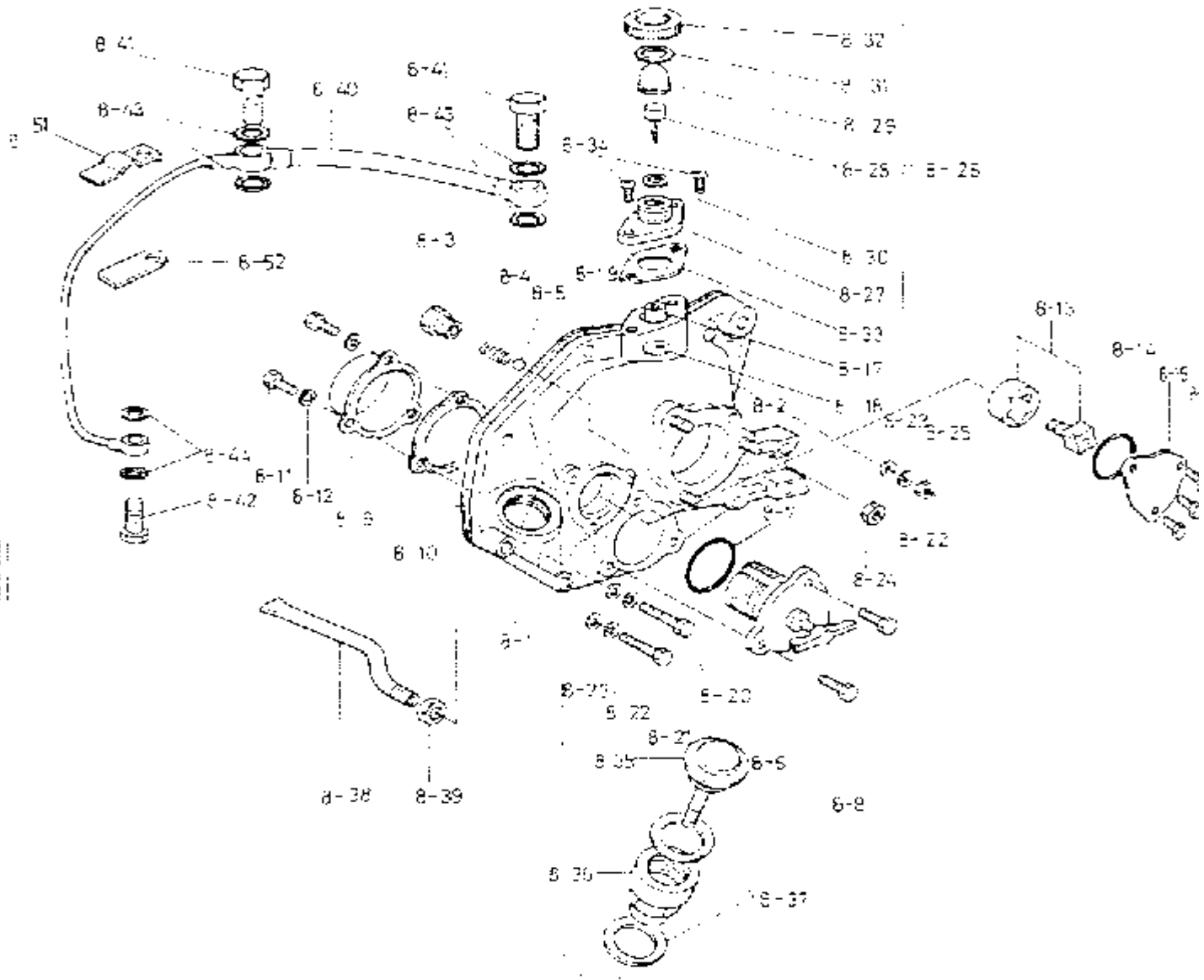
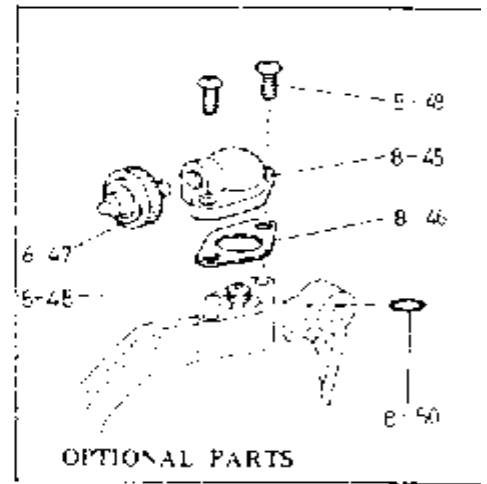
シリンダー サイド カバー および ル ブリ オイル システム
 Fig.8 CYL. SIDE COVER & LUB. OIL SYSTEM



シリンダー サイド カバ 取付けル プリ オイル システム
 8. CYL. SIDE COVER & LUB. OIL SYSTEM

品番 Ref. NO.	説明 Description	部品 Part No.	数量				Sales Unit	備考 Remarks
			1台分	1台分	1台分	1台分		
8-1	シリンダー サイド カバ アセンブリ CYL. SIDE COVER ASSY	201w-243f	704711-01500	1	1			
		237w-258f	704511-01500			1		
8-2	ボルト BOLT, power take-off shaft	M9-16	70210-060162	3	3		10	
8-3	ボディ BODY, oil press. adjust valve	14sd-196d	104211-34010	1	1	1	1	5
8-4	スプリング SPRING, adjust valve	75sd-77f	104211-34040	1	1	1	1	10
8-5	スチールボール STEEL BALL	5:1E10	24190-10000*	1	1	1	1	10
8-6	ストレーナー STRAINER, lub. oil	31f	104211-35130	1	1	1	1	
8-7	O-RING, lub. oil strainer	2t-47.5od	104200-35230	1	1	1	1	10
8-8	ボルト BOLT	M6-18	70117-060182	3	3	3	3	10
8-9	ケース CASE, lub. oil strainer	47.2d-35f	104211-35270	1	1	1	1	
8-10	パッキング PACKING, strainer case	60f-10.0t	104211-35120	1	1	1	1	10
8-11	ボルト BOLT	M6-12	25117-060123	3	3	3	3	10
8-12	スプリングワッシャー SPRING WASHER	12.2oc	22217-060000	3	3	3	3	10
8-13	ロータアセンブリ ROTOR ASSY, lub. oil pump	12w-29d	104300-32150	1	1			
		16w-29d	104500-32150			1	1	
8-14	O-RING, pump cover	2t-37.5od	103338-32570	1	1	1	1	10
8-15	カバー COVER, lub. oil pump		103338-32071	1	1	1	1	5
8-16	ボルト BOLT, cover	M6-10	25117-060102	3	3	3	3	10
8-17	グライダー GLIDE over rotor	10od-30f	104211-34550	1	1	1	1	10
8-18	プレート PLATE, lub. oil control	10d-2t	104211-34800	1	1	1	1	10
8-19	パッキング PACKING, cyl. side cover	193w-125f	104211-01410	1	1			
		222w-233f	104511-01410			1	1	
8-20	ボルト BOLT, cyl. side cover	M6-35	25116-060352	3	3	3	3	10

シリンダ サイドカバー および ルーブリカイル システム
 Fig 4 CYL. SIDE COVER & LUB. OIL SYSTEM



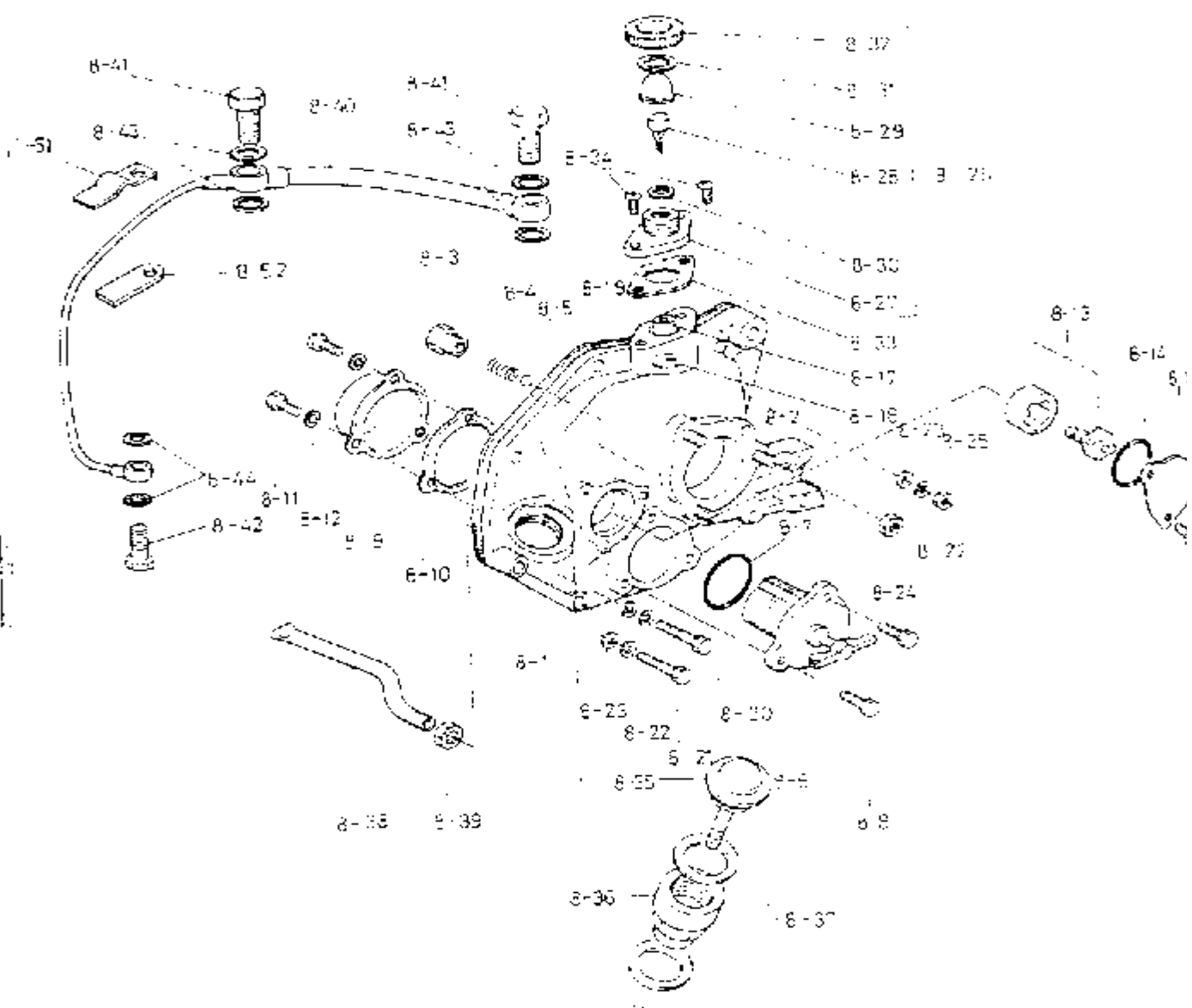
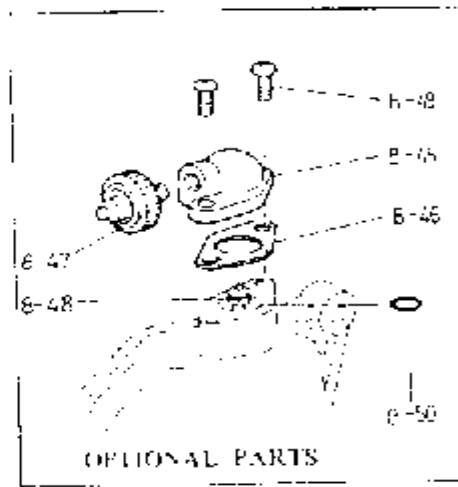
シリンダー サイドカバー および ルーブリック オイル システム
B. CYL. SIDE COVER & LUB. OIL SYSTEM

品番 Part No.	品名 Description	規格 Part No.	数量				Sales Unit	備考 Remarks	
			Y51K	Y51	Y51A	Y51B			
B-21	ボルト BOLT, cyl. side cover	M8-20	26116-060722	4	4	4	4	10	
B-22	スプリングワッシャー SPRING WASHER	12.2wd	22217-060000	0	8	8	8	10	
B-23	ワッシャー WASHER	11.5wd-0.5t	22137-060000	8	8	8	8	10	
B-24	ナット NUT, P.T.O. shaft support	M8	26716-080002	3		3		10	
B-25	ナット NUT, cyl. side cover	M6	26716-050002	1	1		1	10	
B-26	オイルポンプアッセンブリ OILER ASSY		704220-34500		1	1	1	2	
B-27	本体 BODY, oiler	14w-64ℓ		1	1	1	1	10	⑤
B-28	ローター ROTOR, oiler	150-40ℓ	101200-34520	1	1	1	1	10	
B-29	ガラス GLASS, oiler	290cc-20h	101205-34530	1		1		10	
B-30	パッキング PACKING, oiler glass	29.5od-2t	172200-34560	1	1		1	10	
B-31	パッキング PACKING, oiler glass, upper	29od-1t	172200-34560	1	1		1	10	
B-32	リテーナー RETAINER, oiler glass	37od-11w	102884-34540	1	1	1	1	10	
B-33	パッキング PACKING, oiler body	64ℓ-0.3t	104200-34510	1	1	1	1	10	
B-34	ネジ SCREW, oiler body	M8-18	26557-060162	2	2	2	2	10	
B-35	キャップ CAP W/GAUGE, lub. oil inlet	38d-14ℓ 38d-16ℓ	104214-01750 104514-01750	1			1	2 2	
B-36	スペーサー SPACER, lub. oil inlet	40c-57ℓ	104214-01770	1	1		1	2	
B-37	パッキング PACKING, cap & spacer	38od-2t	101104-01760	2	2	2	2	10	
B-38	パイプ PIPE, lub. oil inlet	145ℓ-PE 1/8 185ℓ-PE 1/8 138ℓ-PE 1/8 155ℓ-PE 1/8	104511-35060 104500-35050 104211-35050 104500-35060	1 1 1 1		1 1 1 1		2 2 2 2	S Old S Old @ New @ New
B-39	ナット NUT, pipe		104200-35070	1		1		10	
B-40	パイプ PIPE, lub. oil cyl. wheel cyl. head	about 575ℓ about 710ℓ	104211-39200 104511-39200	1		1		1	

Remarks

⑤ @ Design changed from Sec. 123. Exchangeable

シリンダー サイド カバー および プレ オイル システム
 Fig.8 CYL. SIDE COVER & LUB. OIL SYSTEM

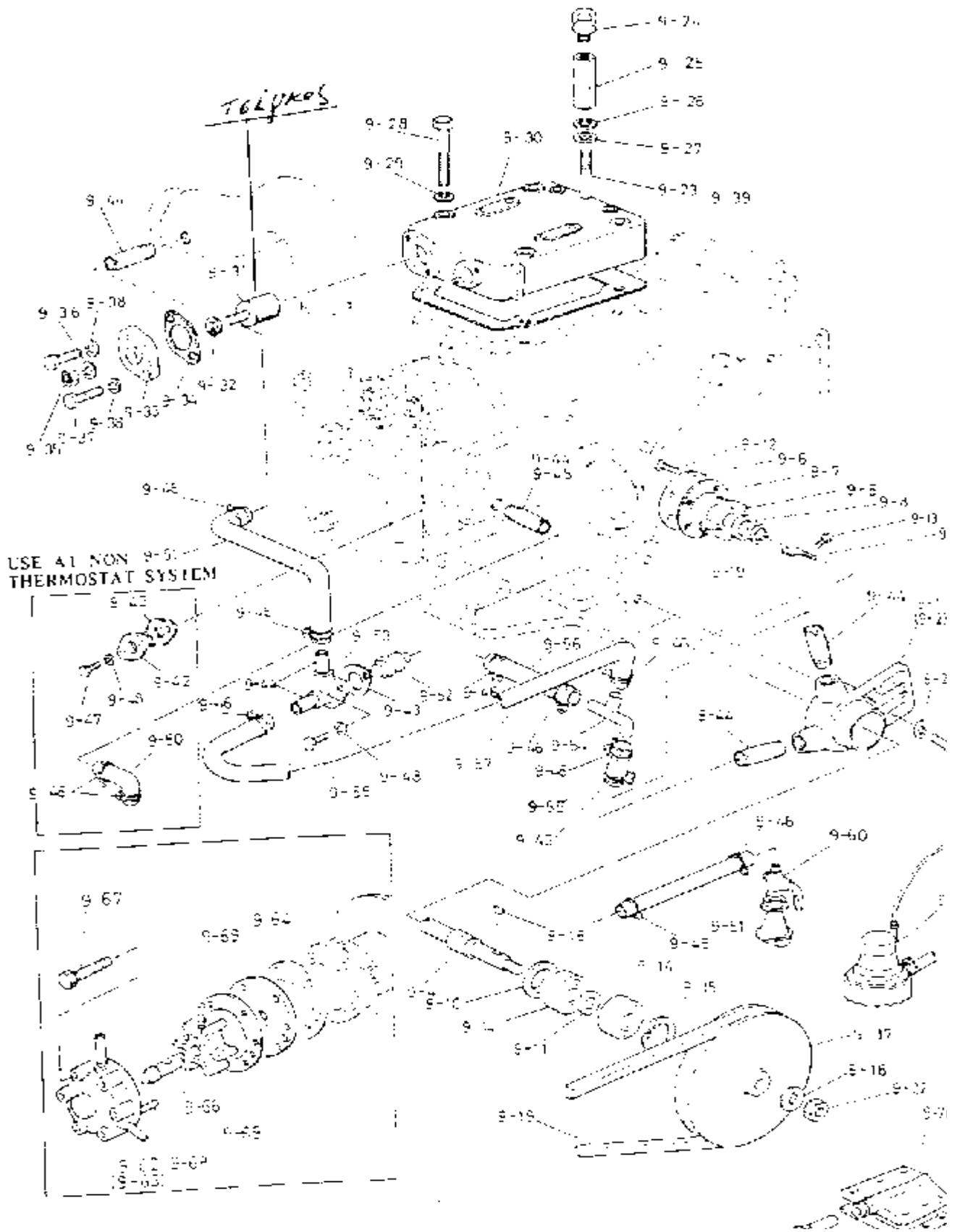


シリンダ・サイドカバー および ルーブリー オイル システム
 8. CYL. SIDE COVER & LUB. OIL SYSTEM

品番 Part No.	品名 Description	部品番号 Part No.	数量 Qty.				単位 Sales Unit	備考 Remarks
			標準 STD	選定 OPT	変更 REV	その他 OTH		
8-41	ボルト BOLT, pipe joint (cyl. & wheel) 12sd-32F _{UM}	103854-39140	2	2	2	2	10	
8-42	ボルト BOLT, pipe joint (cyl. head) 8sd-25F _{oa}	101147-59510	1	1	1	1	10	
8-43	パッキング PACKING 16od-1r	23414-120000	4	4	4	4	10	
8-44	パッキング PACKING 12od-1r	23414-080000	2	2	2	2	10	
	オプション部品 "OPTIONAL PARTS"							
	オイルプレッシャースイッチアッセンブリ OIL PRESS. SWITCH ASSY	704214-34540	1	1	1	1		
	SUPPORT ASSY	704211-34601	1	1	1	1		
8-45	サポート SUPPORT, oil press. switch 28h-64F	104211-39400	1	1	1	1		
8-46	スイッチ SWITCH, press. 38F	161230-39450	1	1	1	1	10	
8-47	パッキング PACKING, support 64F-0.3r	104200-34510	1	1	1	1		
8-48	パイプ PIPE, lub. oil connecting 12sd-20F	104211-34150	1	1	1	1	10	
8-49	ネジ SCREW M6-16	26557-060167	2	2	2	2	10	
8-50	Oリング O-RING 12.6od-1.0r	24311-000090	1	1	1	1	10	
8-51	リテーナ RETAINER, oil pipe 47.6F	104605-39150	1	1			5	⑥
8-52	リテーナ RETAINER, air pipe 39F	104605-39140	1	1			5	⑥

Remarks:
 ⑥ Addition from Dec. '77

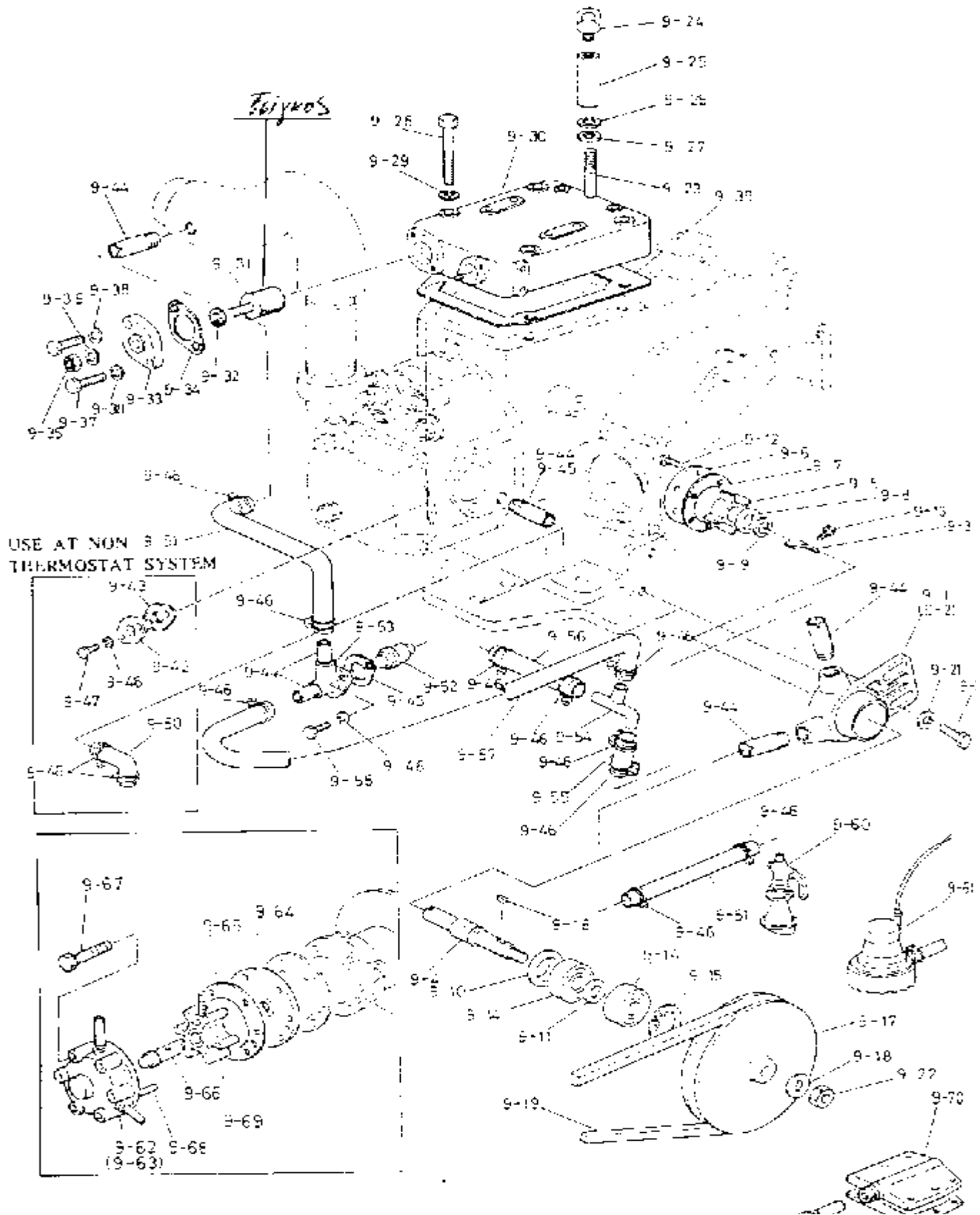
Fig.9 クーリング ウォータ システム
COOLING WATER SYSTEM



クーリングウォーターシステム
9. COOLING WATER SYSTEM

品目 Ref. NO	品名 Description	部品番号 Part No	数量 Qty				単位 Sales Unit	備注 Remarks
			標準 STDA	標準 STDA	標準 STDA	標準 STDA		
9-1	クーリングウォーターポンプアッシー C.W. PUMP ASSY	204211-42700	1	1	1	1		
9-2	ボディ, pump BODY, pump	907-62w	1	1	1	1	Order Assy	
9-3	プレート, water field PLATE, water field	30E-19w	1	1	1	1	2	
9-4	シャフト, pump SHAFT, pump	15c-78E	1	1	1	1		
9-5	インペラー, pump IMPELLER, pump	35.2c-19w	1	1	1	1	2	
9-6	カバー, pump COVER, pump	58r-2.3t	1	1	1	1		
9-7	パッキング, pump cover PACKING, pump cover	58r-0.3t	1	1	1	1	10	
9-8	シール SEAL	250d-17w	1	1	1	1	10	
9-9	プレート, water field PLATE, water field	180d-2t	1	1	1	1	10	
9-10	カバー, bearing COVER, bearing	500c-1t	1	1	1	1	10	
9-11	ワッシャー, bearing WASHER, bearing	160c-1t	1	1	1	1	10	
9-12	ネジ, pump cover SCREW, pump cover	M4-5	6	6	6	6	10	
9-13	ネジ, water field plate SCREW, water field plate	M4-5	1	1	1	1	10	
9-14	ベアリング BEARING	300d-9w	2	2	2	2	2 + 620022	
9-15	ワイヤロック CIRCLIP	32.1E-1.2t	1	1	1	1	10	
9-16	キー KEY	3w-9.6E	1	1	1	1	10	
9-17	ルーリー, cooling water pump RULLEY, cooling water pump	120d-21.5w	1	1	1	1		
9-18	ワッシャー WASHER	240d-0.85t	1	1	1	1	10	
9-19	Vベルト V-BELT	300d-1.75t 300d-1.83t 300d-1.55t	1 1 1	1 1 1	1 1 1	1 1 1	30in-4V 33in-4V 21in-4V	
9-20	ボルト, water pump body BOLT, water pump body	ME-25.5	2	2	2	2	10	

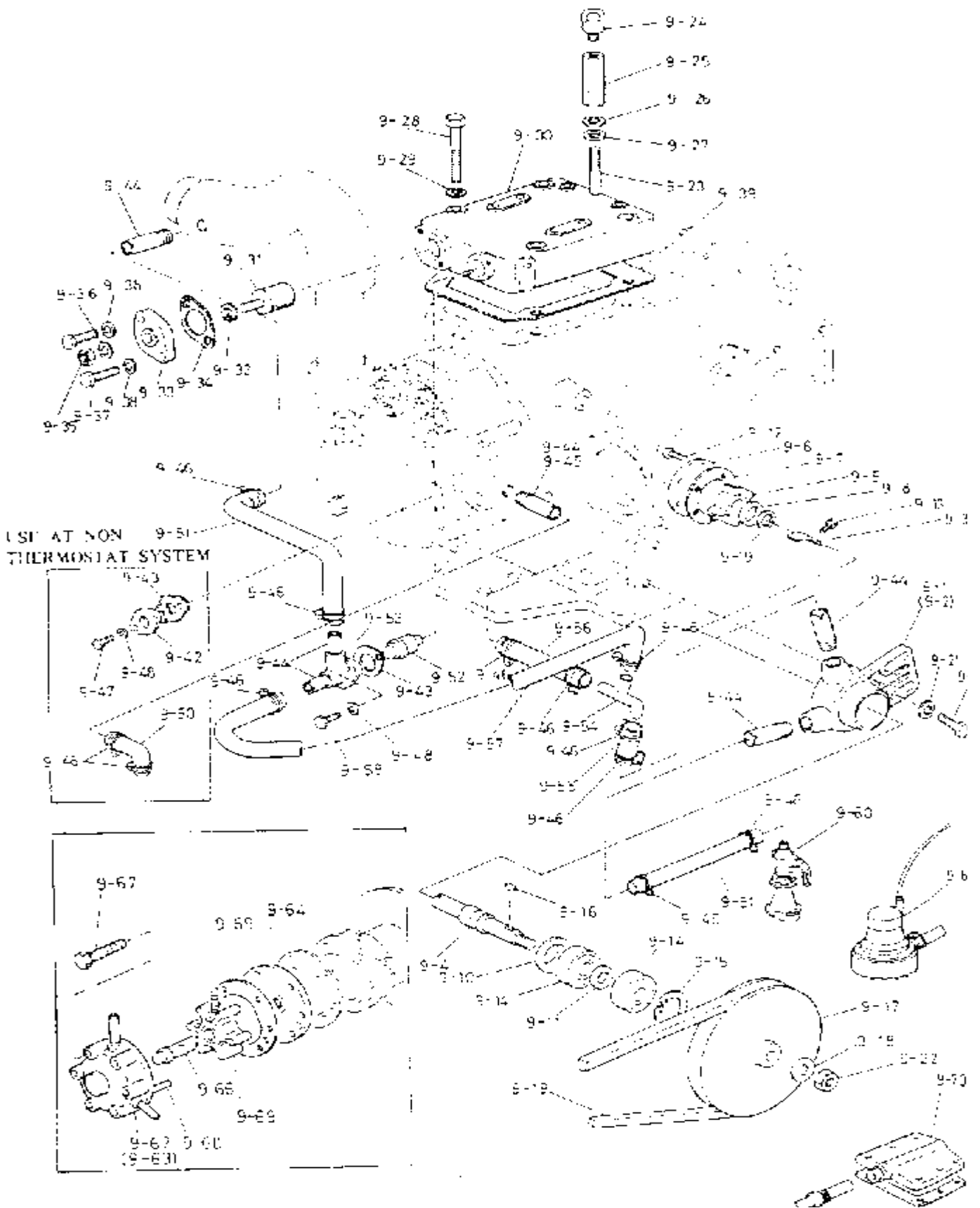
Fig.9 クーリングウォータシステム
COOLING WATER SYSTEM



クーリング ウォータ システム
9. COOLING WATER SYSTEM

品名 Part No	Description	Part No	数量				Sales Unit	Remarks	
			YSTR	YST	YST	YST			
9-21	ワッシャー WASHER, water pump body	18od-1.6t	22137-080000	2	2	2	2	10	
9-22	ナット NUT, pump	M6	26717-080002	1	1	1	1	10	
9-23	スプリング SPRING, ang. lifting	M10-85ℓ	26216-100702	1				10	
		M12-96ℓ	26216-120802		1		1	10	
9-24	アイボルト EYE BOLT	55.5ℓ	26617-100002	1		1		2	
		73ℓ	26617-120002		1		1	2	
9-25	ナット NUT, eye bolt	19.5od-80ℓ	104407-07960	1		1		2	
		21.5od-53.5ℓ	104507-07980					2	
9-26	スプリング ワッシャー SPRING WASHER	18.4od	22217-100000	1		1		10	
		21.5od	22217-120000		1		1	10	
9-27	ワッシャー WASHER	22od-1.6t	22127-100000	1		1		10	
		25od-2.0t	22137-120000		1		1	10	
9-28	ボルト BOLT, cyl. upper cover	M8-55	26117-080552	4		4		10	
		M10-75	26117-100752		4		4	10	
9-29	スプリング ワッシャー SPRING WASHER	15.4od-2t	22217-080000	4		4		10	
		18.4od-2.5t	22217-100000		4		4	10	
9-30	カバー アッセンブリ UPPER COVER ASSY cyl.	122w-174ℓ	704211-01851	1		1			
		153w-208ℓ	704511-01851		1		1		
9-31	亜鉛 ZINC, anticorrosive (Zn) 30d 60ℓ		104211-41300	1	1	1	1	10	
9-32	パッキング PACKING, zinc	18od-1.5t	123210-09310	1	1	1	1	10	
9-33	フランジ FLANGE, zinc	6Fℓ-6t	101720-41910	1	1	1	1	2	
9-34	パッキング PACKING, flange	64ℓ-1t	101720-41920	1	1	1	1	10	
9-35	ナット NUT, zinc	M8	26717-080002	1	1	1	1	10	
9-36	スプリング ワッシャー SPRING WASHER	15.4od-2t	22217-080000	1		1		10	
9-37	ボルト BOLT, flange	M6-18	26117-060182	2	2	2	2	10	
9-38	スプリング ワッシャー SPRING WASHER flange	12.2od-1.5t	22217-080000	2	2	2	2	10	

Fig.9 クーリングウォーターシステム
COOLING WATER SYSTEM



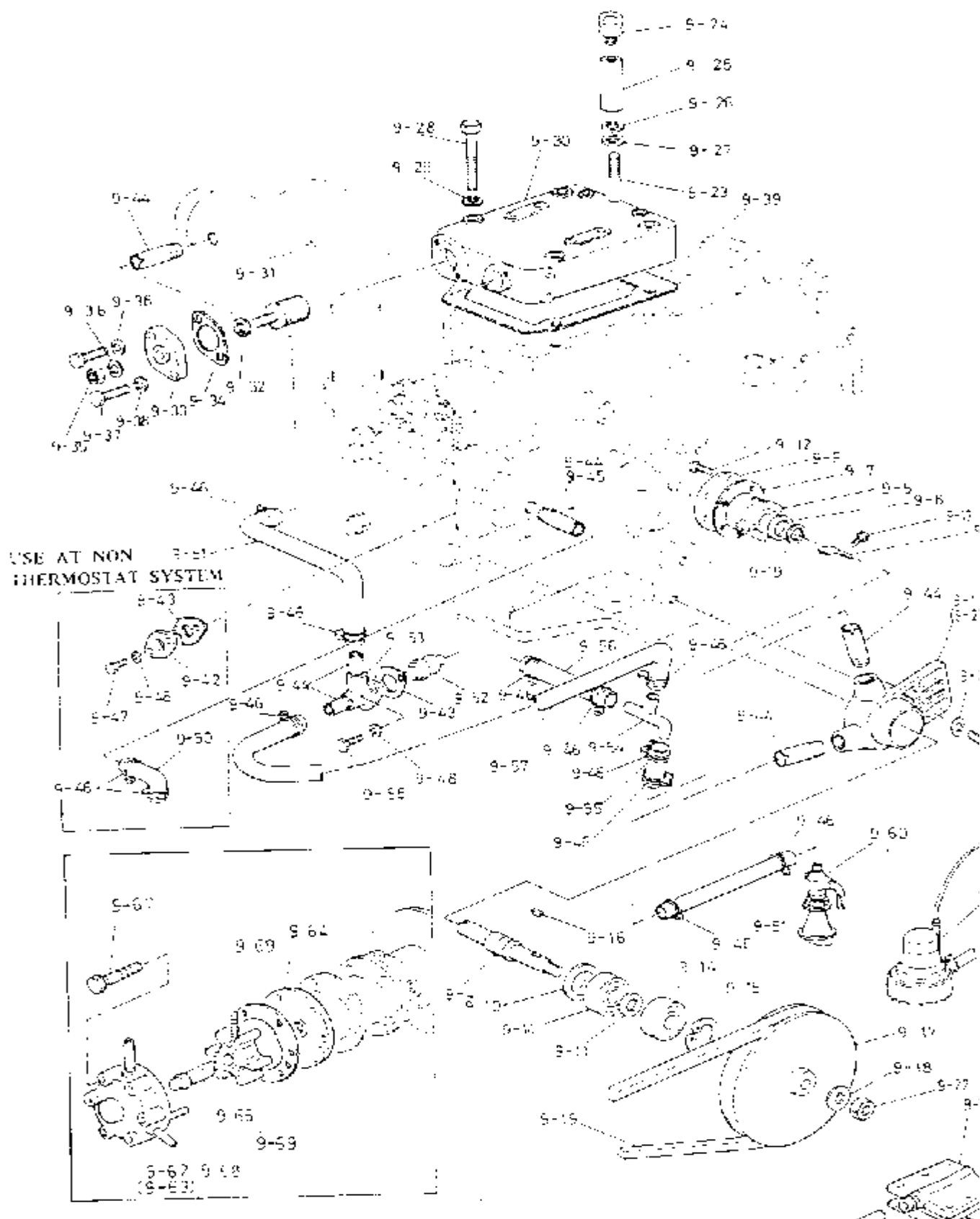
クーリングウォーターシステム
9. COOLING WATER SYSTEM

品番 Part No.	品名 Description	部品番号 Part No.	数量 Qty				標準 Sales Unit	備考 Remarks
			153.6	150	50	25		
9-39	パッキング PACKING, cvl. upper cover	119w-120 f 134w-148 f	104200-44050 104500-44050	1	1	1	5 5	
9-45	ポンプ PUMP, water pump	56 f-50.5w	104211-42150	1	1	1	1	
9-41	ナット NUT, mounting	M6	26117-080002	2	2	2	10	
9-42	フランジ FLANGE, water outlet	56 f-10t	104211-49150	1	1	1	2	
9-43	パッキング PACKING, flange	56 f-0.5t	104211-49160	1	1	1	10	
9-44	ジョイント JOINT, water pipe	PT1/4-32 f	104211-49060	4	3	4	3	5
9-45	ジョイント JOINT, water pipe (head)	PT3/8-30 f	104511-49060	1	1	1	5	
9-46	バンド BAND, water pipe	30 f	104211-49140	5	5	5	2	10
9-47	ボルト BOLT, flange	M6-10	26117-060188	2	2	2	2	10
9-48	スプリングワッシャー SPRING WASHER	12.2nd-1.5t	22217-060200	2	2	2	2	10
9-49	パイプ PIPE (water pump-cvl head)	76 f	104211-48250	1	1	1	1	
9-50	パイプ PIPE (water pump-cvl head)	100 f	104214-48250	1	1	1	1	
9-51	パイプ PIPE (kingston cock-water pump)2000'		104211-48080	1	1	1	1	
	オプションパーツ "OPTIONAL PARTS"							
	クーリングウォーターシステム THERMOSTAT SYSTEM ASSY cooling water		104214-49200	1	1	1	1	
9-52	サーモスタット THERMOSTAT	27.34-33 f	151130-49200 124223-49200	1	1	1	2 2	
9-53	カバー COVER, thermostat	56 f-75w	104214-49150	1	1	1	2	
9-44	ジョイント JOINT, water pipe	PT1/4-32 f	104211-49060	2	2	2	5	
9-45	ジョイント JOINT, water pipe	PT3/8-30 f	104511-49060	1	1	1	5	

TO BE CONTINUED TO THE NEXT PAGE.

Remarks:
② Exchangeable Part No. changed.

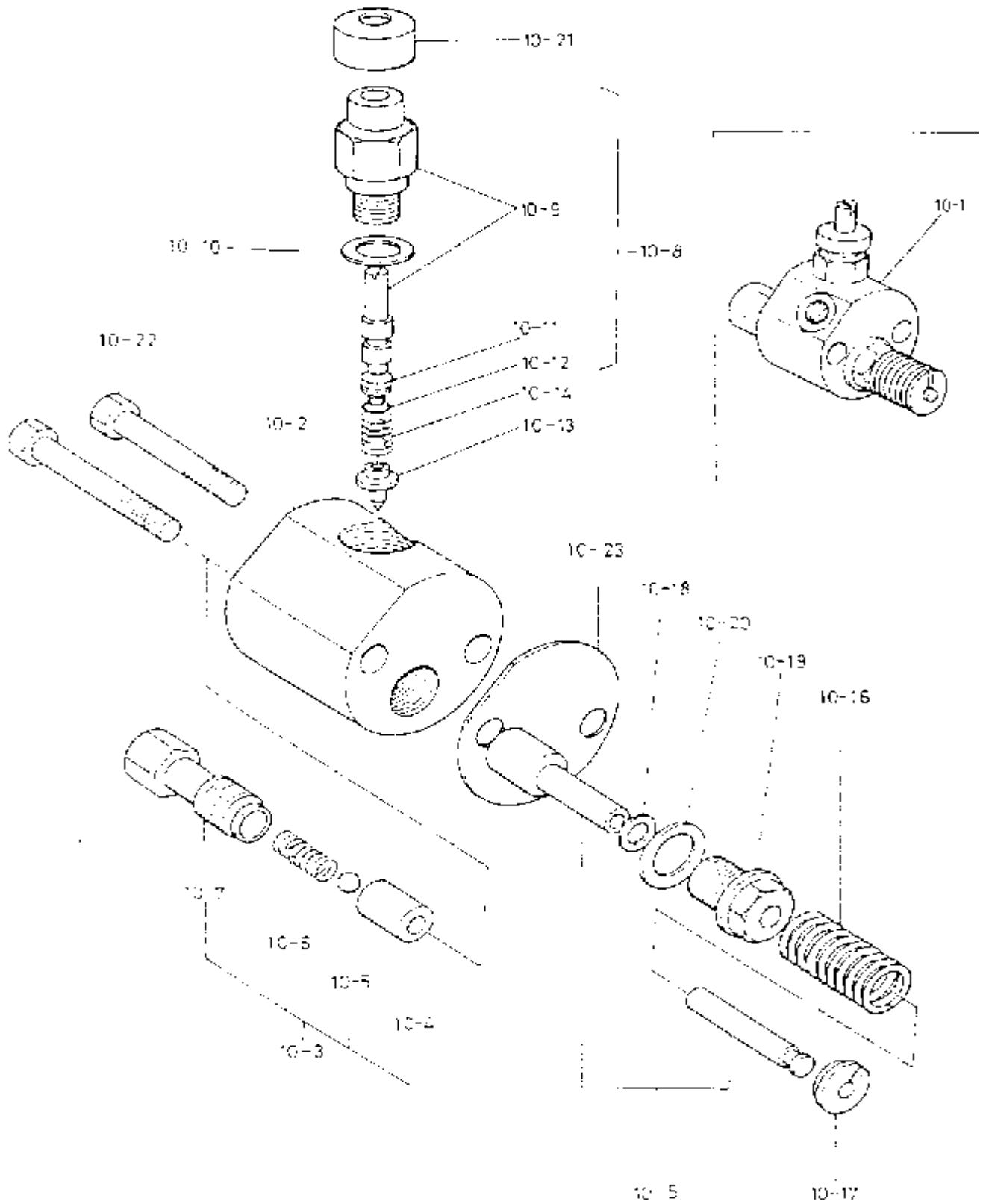
ターボチャージャー冷却水システム
Fig.9 COOLING WATER SYSTEM



クーリング ウォータ システム
9. COOLING WATER SYSTEM

Part No.	Description	Part No.	Qty					Subst. Unit	Remarks
			BASE	USE	INST	RE	STY		
9-54	ジョイント JOINT, 3-ways 57ℓ-49 w	104214-49090	1	1			2		
9-55	パイプ PIPE (water pump-3 way joint) 45ℓ	104214-49100	1	1					
9-56	パイプ PIPE (3 ways joint-cyl. head) 80ℓ	104214-49110	1	1					
9-57	パイプ PIPE (3 ways joint-thermostat) 500ℓ	104214-49120	1	1					
9-51	パイプ PIPE (thermostat-silencer) 2000ℓ	104211-49260	1	1					
9-51	パイプ PIPE (kingston cock-water pump) 2000ℓ	104211-45000	1	1					
9-46	バンド BAND, water pipe 30ℓ	104211-46140	0	6			10		
9-58	カバー BOLT, thermostat cover M6-2R	26117-000209	2	2			10		
9-58	スプリング ワasher SPRING WASHER 12.2x11.5t	27217-060000	2	2			10		
	キングストン コック アッシー KINGSTON COCK ASSY	104214-49500	1	1					
9-60	キングストン コック KINGSTON COCK 141ℓ	43662-010020	1	1					
9-51	パイプ PIPE (kingston cock-water pump) 2000ℓ		1	1					
9-46	バンド BAND, water pipe 30ℓ		2	3			10		
	OPTIONAL PARTS								
9-51	ビルジ ポンプ BILGE PUMP, electric drive 110ℓ-140ℓ	97776-100120	1	1				① Old	
	ビルジ ポンプ アッシー	46150-001111	1	1				② New	
9-62	ビルジ ポンプ アッシー BILGE PUMP ASSY	104214-46000	1	1					
9-63	ボディ BODY, bilge pump	104214-46310	1	1					
9-64	ウェア プレート WEAR PLATE	104214-46320	1	1					
9-65	インペラ IMPELLER	104214-46330	1	1					
9-66	シャフト SHAFT, impeller	104214-46340	1	1					
9-67	スクリュー SCREW M4-38	26557-040352	1	1					
9-68	パラレル ピン PARALLEL PIN 3-14	22312-030140	1	1					
9-69	パッキング PACKING, bilge pump (1/4"x3/8")	104211-42090	1	1					
9-70	ストレーナー STRAINER, bilge	103220-45310	1	1					
	Remarks: \$: Exchangable @ : With timer								

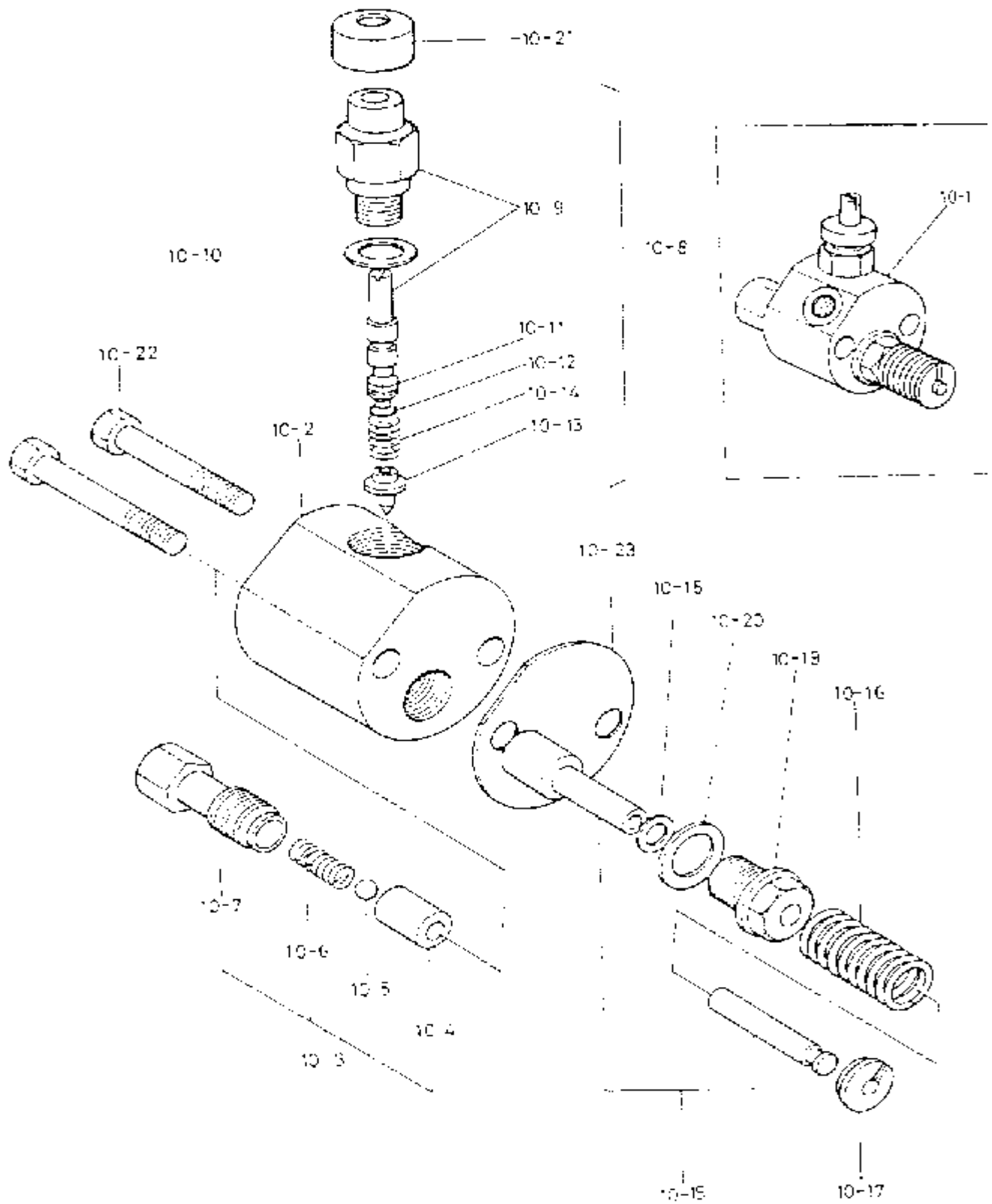
インジェクションポンプ
Fig.10 FUEL INJECTION PUMP



インジェクションポンプ
10. FUEL INJECTION PUMP

品番 Ref. NO.	品名 Description	規格 Part No.	数量 Qty.				単位 Sales Unit	備考 Remarks
			計 Total	納品 Deliv.	在庫 Stock	未納 Unpaid		
10-1	燃料ポンプ アセンブリ F.I. PUMP ASSY	704200-51700 704500-51700	1	1				
10-2	ボディ BODY, fuel injection pump	53d-10w 101158-51010	1	1	1	1		
10-3	デリバリーバルブ DELIVERY VALVE	101300-51300	1	1	1	1	10	
10-4	シート SEAT, delivery valve	12d-17c	1	1	1	1	☆ order assy	
10-5	ボールバルブ BALL VALVE	7321c	1	1	1	1	☆ order assy	
10-6	スプリング SPRING, delivery valve	5.6d-13.4c	1	1	1	1	10	
10-7	ホルダー HOLDER, delivery valve	18d-33c	1	1	1	1		
10-8	レギュレーターアセンブリ REGULATOR ASSY	55c 704700-51550	1	1	1	1	10	
10-9	レギュレーターボディ REGULATOR BODY W/SPRING		1	1	1	1	☆ order assy	
10-10	パッキング PACKING, regulator body	15.4cc-1t	1	1	1	1	10	
10-11	スペーサー SPACER, regulator	11.2c-16c	1	1	1	1	10	
10-12	Oリング O-RING, regulator	11.3cd-1.9c	1	1	1	1	10	
10-13	バルブ VALVE, regulator	8d-14c	1	1	1	1	10	
10-14	スプリング SPRING, regulator valve	6.8cd-15c	1	1	1	1	10	
10-15	プランジャー PLUNGER W/BARREL	5.5/15.5d-47.3c 7715.5d-47.3c	1	1	1	1	10 10	
10-16	スプリング SPRING, plunger	20.6cd-27.5c	1	1	1	1	10	
10-17	ワッシャー WASHER, plunger spring	20c-3.5t 23c-3.5t	1	1	1	1	10 10	
10-18	パッキング PACKING, plunger barrel	15.5cc-0.5t	1	1	1	1	10	
10-19	ネジ SCREW, plunger barrel	23c-15c	1	1	1	1	10	
10-20	パッキング PACKING, barrel screw	23cd-2.5t	1	1	1	1	10	

インジェクションポンプ
Fig.10 FUEL INJECTION PUMP



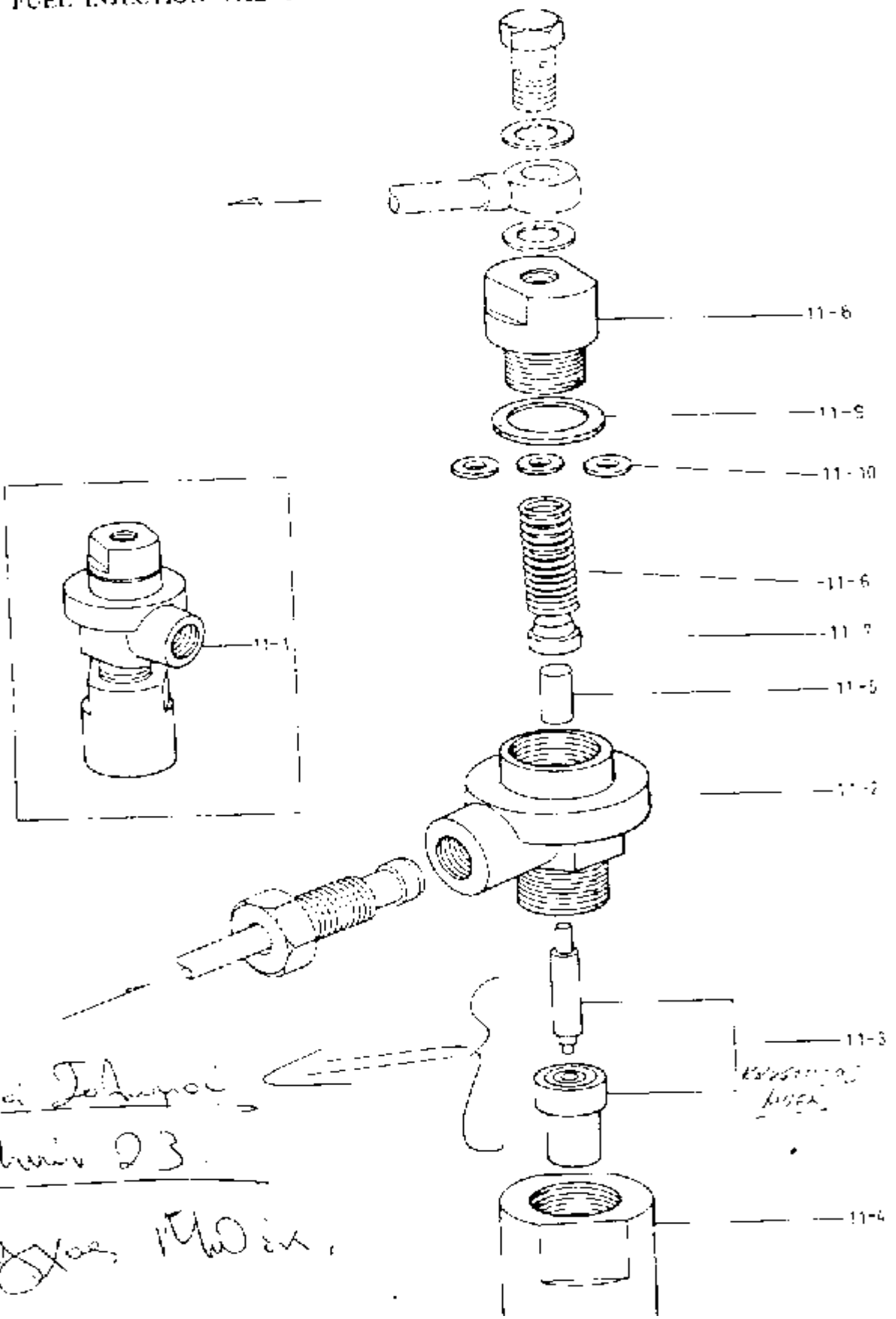
インジェクション ポンプ
10. FUEL INJECTION PUMP

品名 Ref. NO.	品名 Description	品番 Part No.	数量 Qty.				単位 Sales Unit	備考 Remarks	
			個	組	箱	台			
10-21	カバー CAP, dust	20.40 2.5w	101104-66300	1	1	1	1	10	
10-22	ボルト BOLT, pump	6x1-64 2va	104200-54080	2	2	2	2	10	
10-23	パッキング PACKING, pump body	E3d-0 15:	174100-51020	1	1	1	1	10	@
			101158 51030	1	1	1	1	10	@

Remarks

@ Exchangeable.

Fig.11 フュエル インジェクション バルブ
FUEL INJECTION VALVE.



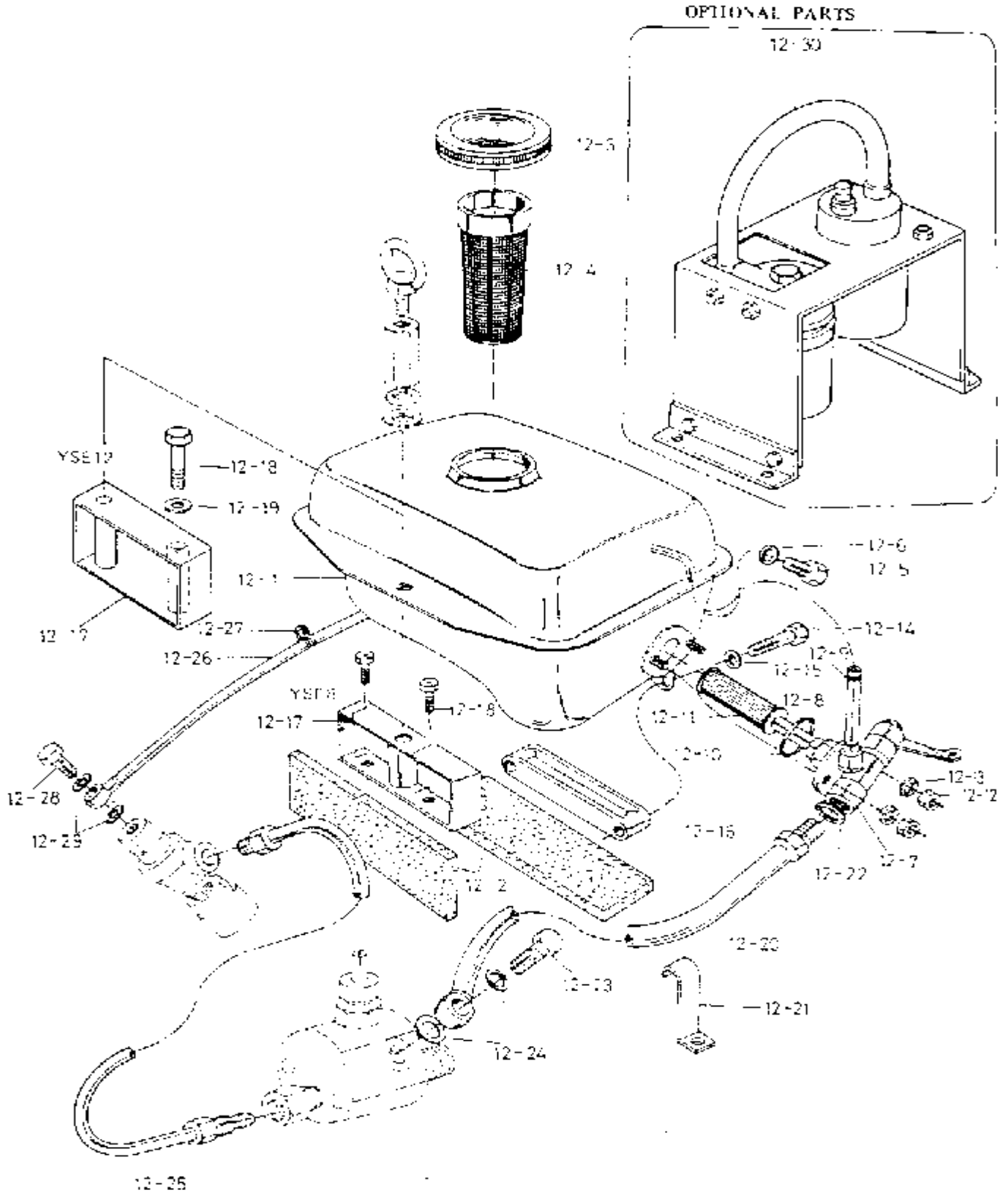
Από Τεχνολογία
Μηχ. 23.
Κατασκευαστής: ΠΥΡΑ.

11. FUEL INJECTION VALVE

品番 Ref. No.	品名 Description	規格 Spec.	部品番号 Part No.	数量 Qty.				単位 Sales Unit	備考 Remarks
				YSEA	YSE 11L	YSE 21	YSE 12L		
11-1	F. VALVE ASSY		704211-53100 704511-53100	1	1				
11-2	BODY, fuel injection valve	46φ-33.5w	103854-53100	1	1	1			
11-3	VALVE W/CASE	17φ-33.7φ	172100-53000	1	1	1	10		
11-4	HOLDER, fuel injection valve	29φ-38.5φ 32φ-38φ	104200-53000 104500-53080	1	1				
11-5	SPINDLE	5φ 10.5φ	113200 53110	1	1	1	10		
11-6	SPR NG, valve	10.5φ 30φ	104211 53120	1	1	1	10		
11-7	HOLDER, valve spring	11φ 6w	113200 53120	1	1	1	10		
11-8	CASE, valve spring	22φ 20w	103854-53180	1	1	1	5		
11-9	PACKING, valve spring case	22φ 0.5t	172100 53200	1	1	1	10		
11-10	SHIM SET, valve spring	11.5φ 0.1, 0.2, 0.3, 0.5t	110350 53150	1	1	1	10		

Remarks:
① Exchangeable.

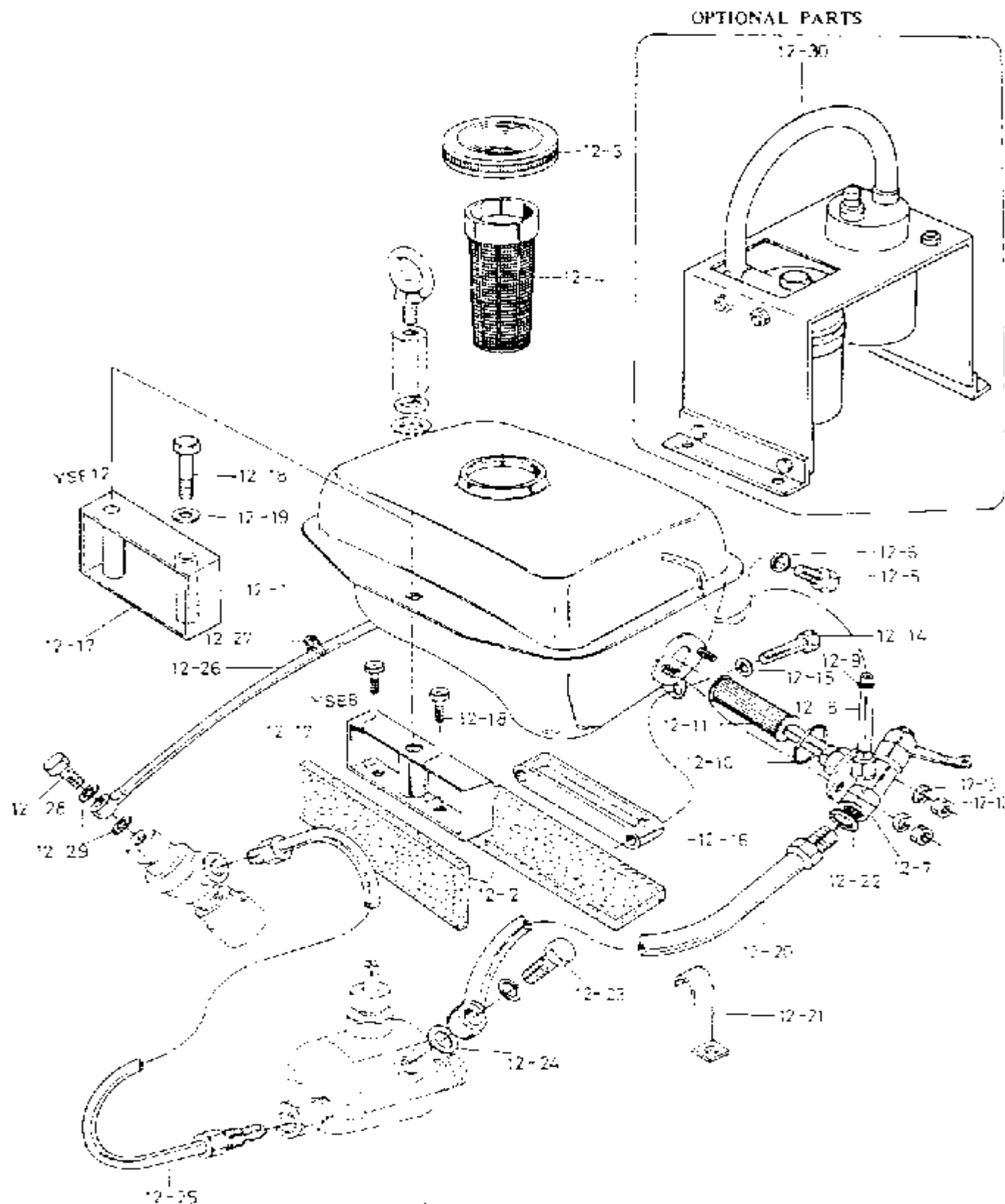
Fig.12. FUEL OIL SYSTEM
フュエル オイル システム



12. FUEL OIL SYSTEM

Ref. No.	Description	Part No.	Q'ty					Subst. Unit	Remarks
			YSP	YSL	YSL	YSL	YSL		
12-1	FUEL TANK ASSY	290f-230w 320f-274w	704211-55700 704211-55700	1		1			
12-2	FELT, fuel tank	120f-25w	103854-55200	2	2	2	2	10	
12-3	COVER, fuel tank	04d-20.7w	101504-55071	1	1	1	1	10	
12-4	STRAINER, fuel tank inlet	56c-125f	101504-55101	1	1	1	1	10	
12-5	DRAIN PLUG	125d-22f	104200-55080	1	1	1	1	10	
12-6	PACKING, drain plug	160d-1f	23414-120000	1	1	1	1	10	
12-7	COCK ASSY, fuel tank	04f	704211-55730	1	1	1	1	5	
12-8	LEVEL GAUGE, fuel	70c-110f	104511-55160	1	1	1	1	10	
12-9	CLAMP, level gauge	8.20d-1.6t	103854-55220	1	1	1	1	10	
12-10	O-ring, cock	38.70d-3.5t	24211-050320	1	1	1	1	10	
12-11	STRAINER, fuel tank outlet	29d-130f 23d-170f	104300-55730 104500-55790	1		1		10	
12-12	NUT, cock	M6	76717-060002	2	2	2	2	10	
12-13	SPRING WASHER, cock	12.30d	22217-050000	2	2	2	2	10	
12-14	BOLT, fuel tank setting	M8-35 M8-40	25117-080352 25117-080402	2		2		10 10	
12-15	WASHER	150d-1.5t	22137-080000	2	2	2	2	10	
12-16	MOUNT, fuel tank	118f-27w 128f-25w	104200-55240 104500-55240	1					
12-17	SUPPORT, fuel tank	49.5h-137f 54h-138f	104211-55850 104511-55850	1		1			
12-18	BOLT, fuel tank support	M6-10 M8-65	25117-060100 25117-080552	2		2		10 10	

Fig.12 フュエル オイル システム
FUEL OIL SYSTEM

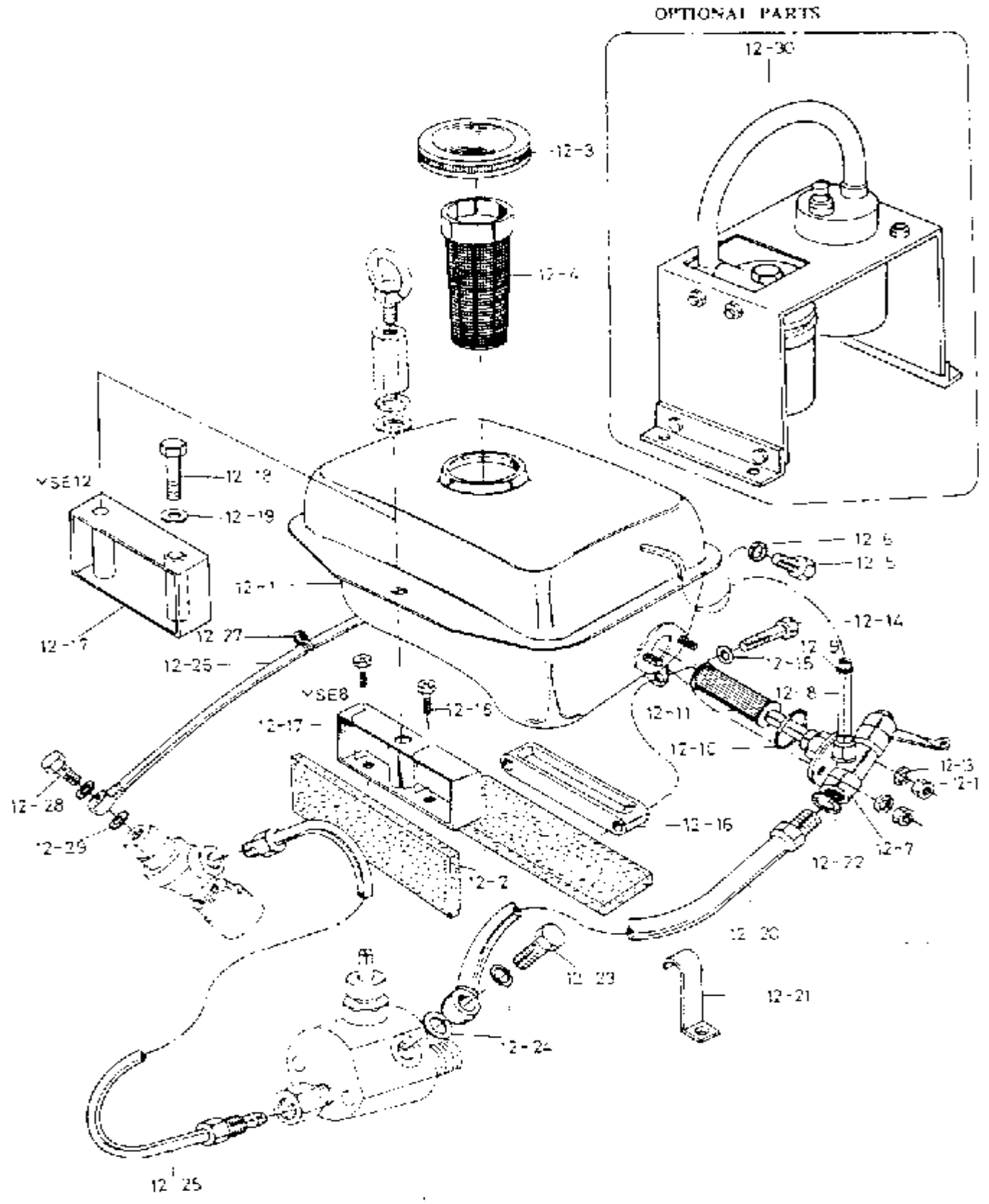


12. FUEL OIL SYSTEM

品名 Ref. NO.	品名 Description	数量 Qty	部品番号 Part No.	検査項目 Inspection				標準 標準 Sales Unit	備考 Remarks
				YSE	YSE	YSE	YSE		
12-19	ワッシャー WASHER, fuel tank support	1800-1.6t	22137-08000					10	
12-20	フューエルオイルパイプ FUEL OIL PIPE	350g	104211-59070	1				5	
		395g	104511-55070	1				5	
12-21	ピース PIECE, fuel oil pipe seting	65g-14w	104100-55920	1	1	1	1	10	
12-22	パッキング PACKING, fuel oil pipe inlet	18.50d-2t	122200-11650	1	1	1	1	10	
12-23	ボルト BOLT, pipe joint	120t-37g	103854-39140	1	1	1	1	10	
12-24	パッキング PACKING, joint bolt	180d-2t	104200-59120	2	2	2	2	10	
12-25	フューエルインジェクションパイプ FUEL INJECTION PIPE	255g	104200-59800	1		1		5	
		350g	104511-59800		1		1	5	
12-26	FO OVERFLOW PIPE	540g	103854-56140	1	1	1	1	10	
12-27	クランプ CLAMP, overflow pipe	12.50d	104200-59410	1	1	1	1	10	
12-28	ボルト BOLT, pipe joint	80d-23.6w	101147-59810	1	1	1	1	10	
12-29	パッキング PACKING	120d-1t	23414-08000	2	2	2	2	10	
12-30	オプションパーツ "OPTIONAL PARTS"								
	フューエルフィーディングポンプアッセンブリ FUEL FEED PUMP ASSY, electro-magnetic		104214-52500	1	1	1	1		
	フューエルフィーディングポンプ FUEL FEED PUMP	130g-102w	101720-52200	1	1	1	1		
	ジョイント JOINT, union	19.60w-37g	101721-52210	2	2	2	2	10	
	パッキング PACKING	140d-1t	23414-10000	2	2	2	2	10	
	マウント MOUNT, pump & strainer	130w-165d	104214-52100	1	1	1	1		
	ストレーナーアッセンブリ STRAINER ASSY, fuel		104214-55800 123338-55500	1	1	1	1		@
	ボディ BODY, fuel strainer	66d-35w		1	1	1	1	@	order assy
	ストレーナー STRAINER	34.2w-63g	104800-55710 123854-55710	1	1	1	1	10	@
		(TO BE CONTINUED TO THE NEXT PAGE)							

Remarks:
@ Exchangeable. From June, '73

Fig.12 FUEL OIL SYSTEM
燃油油系統



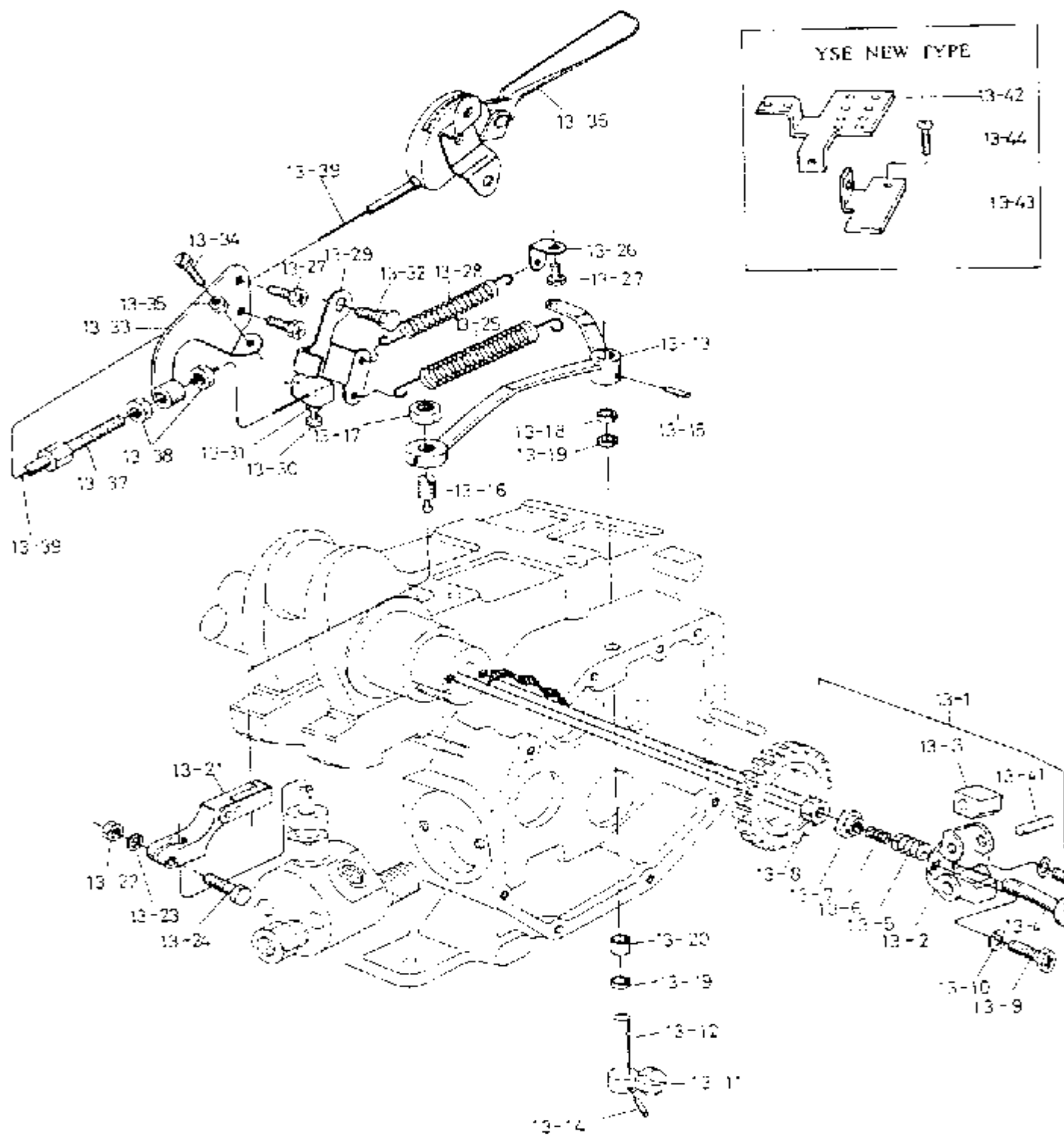
12. FUEL OIL SYSTEM

Ref. NO	Description	Part No	Q'ty				Sales Unit	Remarks	
			Y81	Y82	Y83	Y84			
スプリング	SPRING, strainer keep	18.5od-14ℓ	103854-55750	1	1	1	10		
O-RING	O-RING	55.6od-3.1ℓ	104214-55730	1	1	1	10	Ⓢ	
ボウル	BOWL, strainer	57.1-74ℓ	103854-55730	1	1	1	5		
カバー	COVER, strainer bowl	68.5id-18.5w	103854-55740	1	1	1	5		
プラグ	PLUG, air draw out	M6-13	111154-51200	1	1	1	10		
パッキング	PACKING	12.5od-1ℓ	23414-060000	1	1	1	10		
ステー	STAY, pump & strainer mount	30h-130ℓ	104214-55110	2	2	2	2		
パイプ	PIPE, fuel (feed pump-strainer)about 200ℓ		104214-55200	1	1	1	5		
クランプ	CLAMP, fuel pipe	23w-21ℓ	23010-010000	1	1	1	10		
パイプ	PIPE, fuel (strainer-injection pump)	about 1000ℓ	104214-55250	1	1	1	5		
ボルト	BOLT, pipe joint	19.6d-29.6oa	23857-060000	2	2	2	2	10	
パッキング	PACKING	16od-1ℓ	23414-120000	4	4	4	4	10	
ボルト	BOLT, feed pump	M8-20	26117-080202	2	2	2	2	10	
ナット	NUT, feed pump	M8	26217-080002	2	2	2	2	10	
スプリングワッシャー	SPRING WASHER, feed pump	15.4od-2	22217-080000	2	2	2	2	10	
ボルト	BOLT, strainer & stay	M6-12	26117-060129	8	8	8	8	10	
スプリングワッシャー	SPRING WASHER, stay	12.2od-1.5ℓ	22217-060000	8	8	8	8	10	
スカラー	SCAFW, mount	10.7d-28.6oa	22747-580250	4	4	4	4	10	

Remarks:

Ⓢ Exchangeable. From June, '73.

Fig.13 ガバナー デバイス
GOVERNOR DEVICE

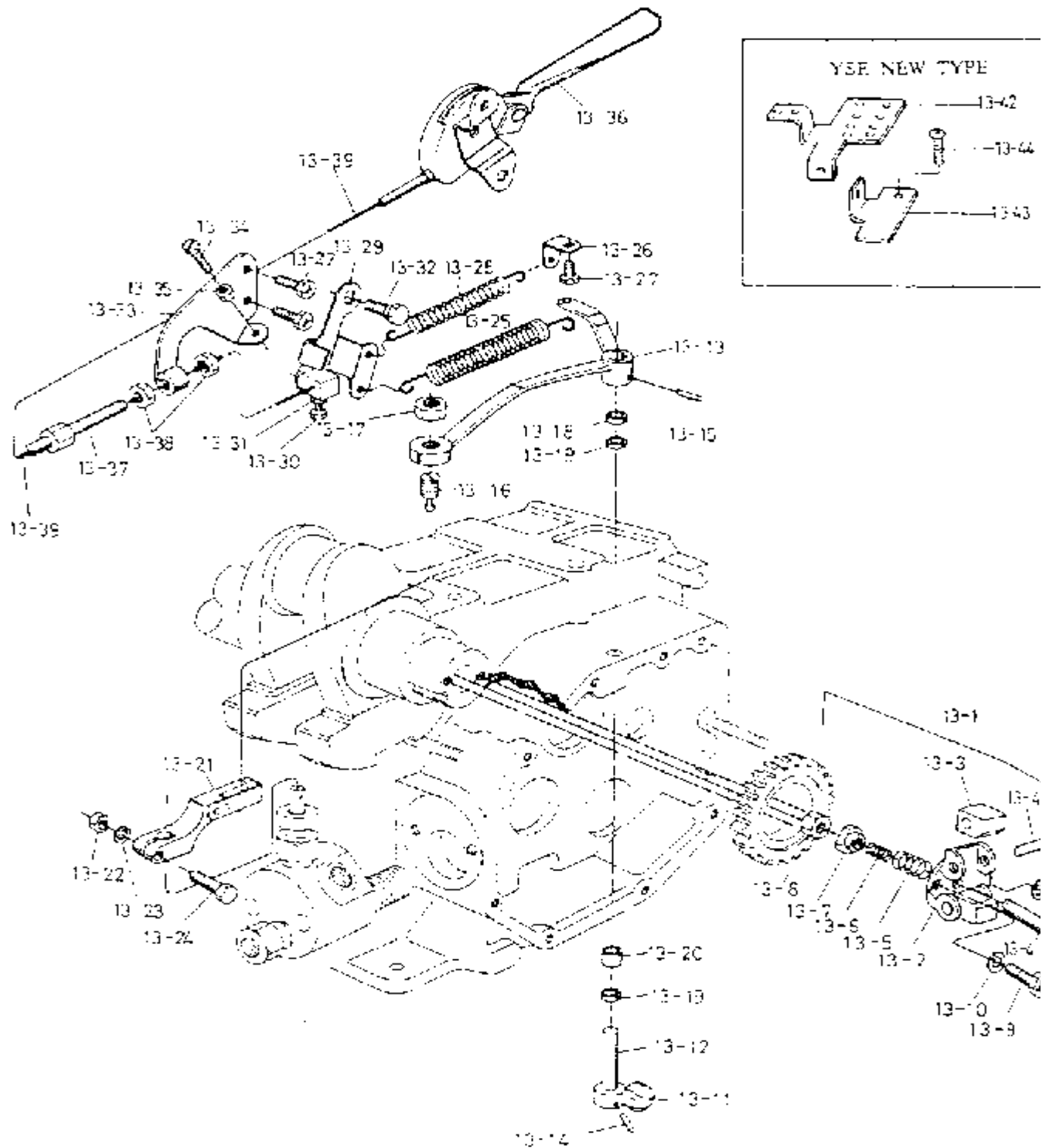


ガバナ デバイス
13. GOVERNOR DEVICE

品番 Ref. NO.	品名 Description	部品番号 Part No.	数量 Qty					販売 Sales Unit	備考 Remarks
			YSE	YSE	YSE	YSE	YSE		
13-1	ガバナ機構 GOVERNOR ASSY	704211-61700 704511-61700	1		1				
13-2	サポート SUPPORT, governor		1		1		10	order assy	
13-3	ウェイト WEIGHT, governor		2		2	2	10	order assy	
13-41	ピン PIN, weight		2		2	2	10	order assy	
13-4	スピンドル SPINDLE, governor	17c-28f 104211-61300	1		1	1	10		
13-5	スプリング SPRING, governor	14.8od-23f 104511-61360	1		1		10		
13-6	スプリング SPRING, governor inner	8.8od-12.5f 104211-61370	1		1	1	10		
13-7	サポート SUPPORT, governor spring	14d-9w 104211-61340	1		1	1	10		
13-8	ナット NUT, governor	M6	1		1	1	10		
13-9	ボルト BOLT, support	M6-18	2		2	2	10		
13-10	スプリングワッシャー SPRING WASHER, support	12.2od-1.5f 70217-080000	2		2	2	10		
13-11	ガバナレバー GOVERNOR LEVER ASSY	704211-61500 704511-61500	1		1		5		
13-11	ファーストレバー FIRST LEVER, governor	3Ew-11f 47w-37f			1		10	order w/s	
13-12	シャフト SHAFT, lever	7c-53f	1		1		10	order assy	
13-13	セカンドレバー SECOND LEVER, governor	114f 145f	1		1		10	order assy	
13-14	テーパピン TAPER PIN, first lever	3d-16f	1		1	1	10	order assy	
13-15	テーパピン TAPER P.N., second lever	3d-22f	1		1	1	10		
13-16	スクリュー SCREW, injection pump connect	10od-24.6od 104100-68360 (101104-68360)	1		1	1	10	order	
13-17	ナット NUT, connect screw	M10	1		1		10		

Remarks:
① Exchangeable.

ガバナー デバイス
Fig.13 GOVERNOR DEVICE

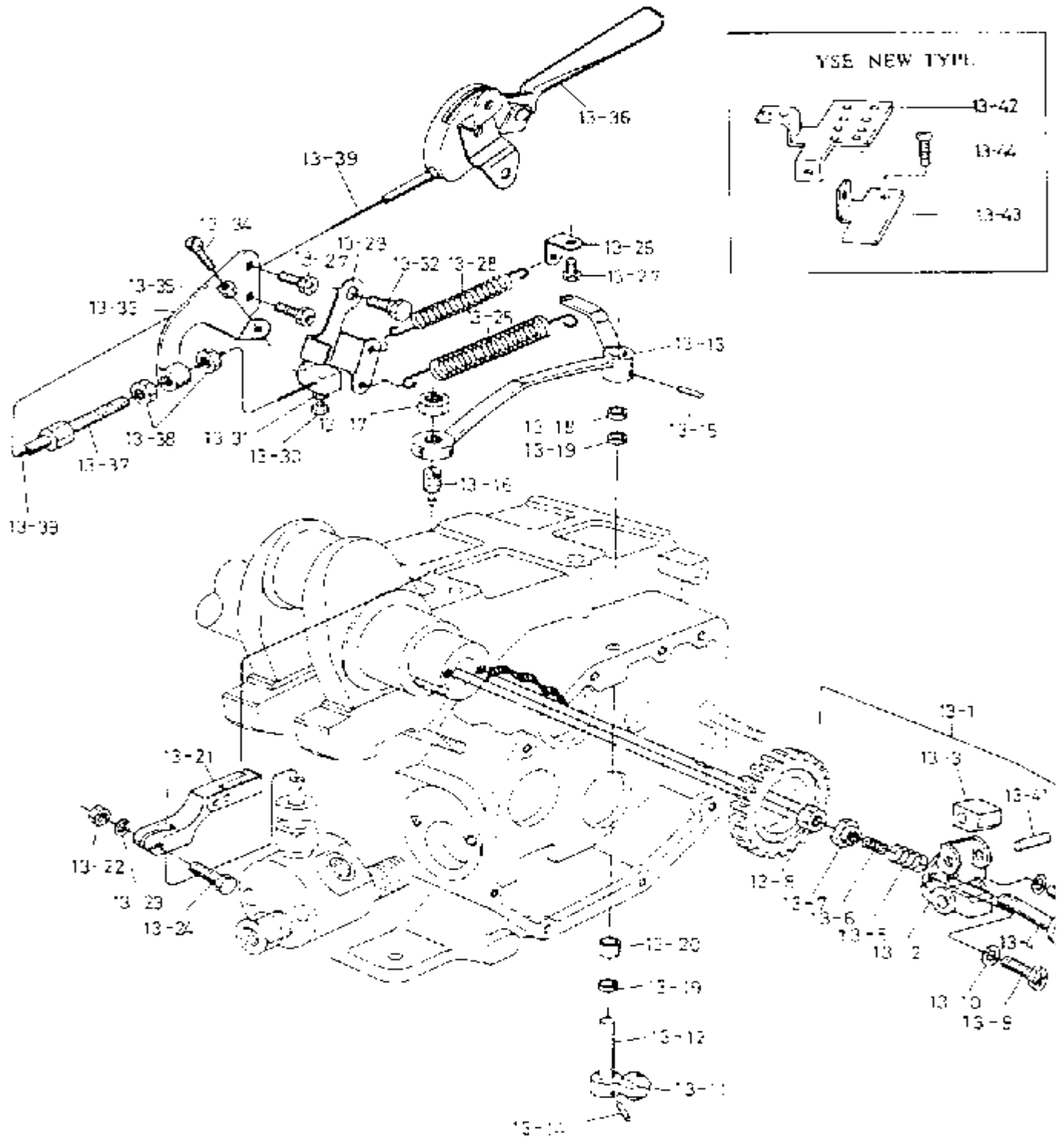


ガバナー デバイス
13. GOVERNOR DEVICE

品番 Ref. No.	名称 Description	規格 Part No.	数量 Qty				単位 Sales Unit	備考 Remarks
			標準 13A	標準 13B	標準 13C	標準 13D		
13-18	ダストキャップ DUST CAP	14d-2.5t 104211-51540	1	1	1	1	10	
13-19	ニードルベアリング NEEDLE BEARING	11od-9w 104211-51520	2	2	2	2	10	
13-20	スペーサー SPACER, bearing	11od-10w 104211-51530	1	1	1	1	10	
13-21	F.I. PUMP LEVER 燃料ポンプレバー	74ℓ 104211-55230	1	1	1	1	10	
		66ℓ 104500-55230	1	1	1	1	10	
13-22	ナット NUT, lever	M5 26757-060007	1	1	1	1	10	
13-23	スプリングワッシャー SPRING WASHER, lever	12.2od-1.5t 22217-060000	1	1	1	1	10	
13-24	ボルト BOLT, lever	M6-20 26117-060209	1	1	1	1	10	
13-25	スプリング SPRING, regulator	128ℓ 104211-66010	1	1	1	1	10	5
		187ℓ 104501-66010	1	1	1	1	10	5
13-26	フィッティング FITTINGS, regulator return spring 13w-16h	101204-67330	1	1	1	1	10	
13-27	ボルト BOLT, return spring piece & wire support	M6-10 26117-060109	3	3	3	3	10	
13-28	スプリング SPRING, regulator return	58ℓ 103834-67300	1	1	1	1	10	
13-29	レギュレーターハンドル REGULATOR HANDLE	60ℓ-2.5t 104211-66100	1	1	1	1	2	5
13-30	ボルト BOLT	M5-12 26113-050126	1	1	1	1	10	
13-31	ナット NUT	M5 26753-050002	1	1	1	1	10	
13-32	シャフト SHAFT, regulator handle	5sd-16.8ℓoa 104211-66040	1	1	1	1	10	
13-33	サポート SUPPORT, outer wire	65ℓ 104211-67100	1	1	1	1	5	
13-34	ボルト BOLT	M5-20 26117-050208	1	1	1	1	10	
13-35	ナット NUT	M5 26757-050002	1	1	1	1	10	
13-36	アクセラレーターレバー ACCEL. LEVER	172ℓ 104211-57190	1	1	1	1		

Remarks
See next page, 13-25 & 13-27

ガバナ - デバイス
GOVERNOR DEVICE

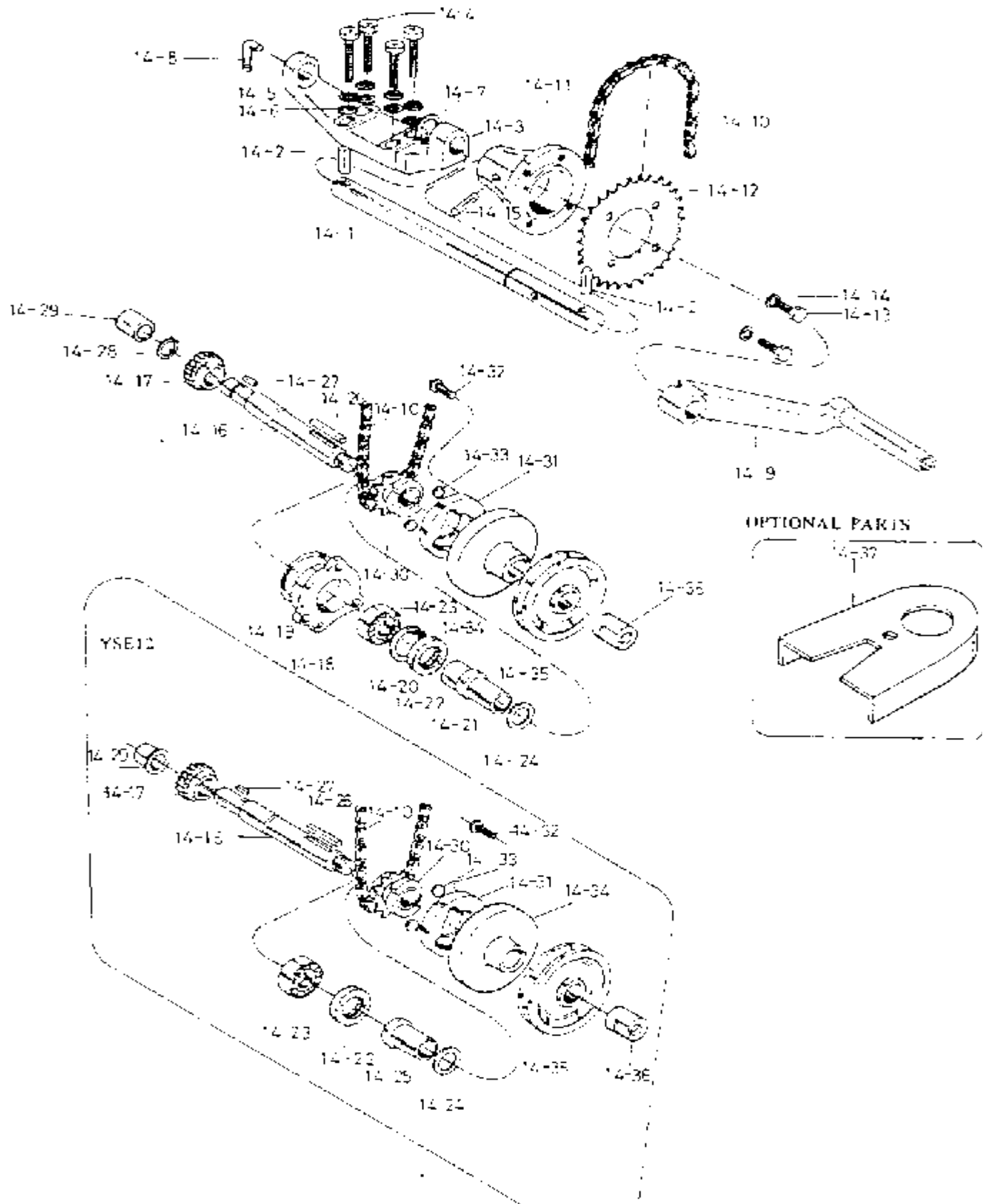


ガバナー デバイス
13. GOVERNOR DEVICE

品番 Ref. No.	品名 Description	規格 Part No.	数量 Qty				単位 Unit	備考 Remarks
			YSE	YSE	YSE	YSE		
13-37	ボルト BOLT, outer wire adjust	9.2d-44.6oa	101720-67750	1	1	1	10	
13-38	ナット NUT, adjust bolt	M6	26757-060002	2	2	2	10	
13-39	ワイヤ WIRE (1.5 m)	1660 f	104214-67710	1	1	1	5	
オプション部品 "OPTIONAL PARTS"								
13-39	ワイヤ WIRE (3 m)	3060 f	104214-67710	1	1	1	5	
YSEX PARTS								
13-25	スプリング SPRING, regulator	119 f 160 f	104214-66010 104514-65010	1	1	1	10 17	Ⓔ Ⓔ
13-29	レギュレーター REGULATOR HANDLE		104214-66100	1	1	1	2	Ⓔ
13-39	ワイヤ WIRE (オプション部品) (OPTIONAL PARTS)	2730 f	104214-67150	1	1	1	5	Ⓔ
13-42	ブラケット BRACKET, wire		104214-67100	1	1	1	2	Ⓔ
13-43	フィッティング FITTINGS, wire (オプション部品) (OPTIONAL PARTS)	3d f x 13f	104214-67110	1	1	1	2	Ⓔ
13-44	ボルト BOLT	M5-10	26557-050102	2	2	2	10	Ⓔ

Remarks:
 Ⓔ YSEX NEW TYPE YSEX OLD TYPE USE TO YSEY
 Changed Engine No
 YSE 8X 20151 ~ YSE 12X 20201 ~
 YSE 8GX 20091 ~ YSE 12GX 20101 ~
 YSE 8CX 20161 ~ YSE 12CX 20131 ~
 Ⓔ Use to YSEY from Jun. 73

チェーン スタートイング デバイス
Fig.14 CHAIN STARTING DEVICE

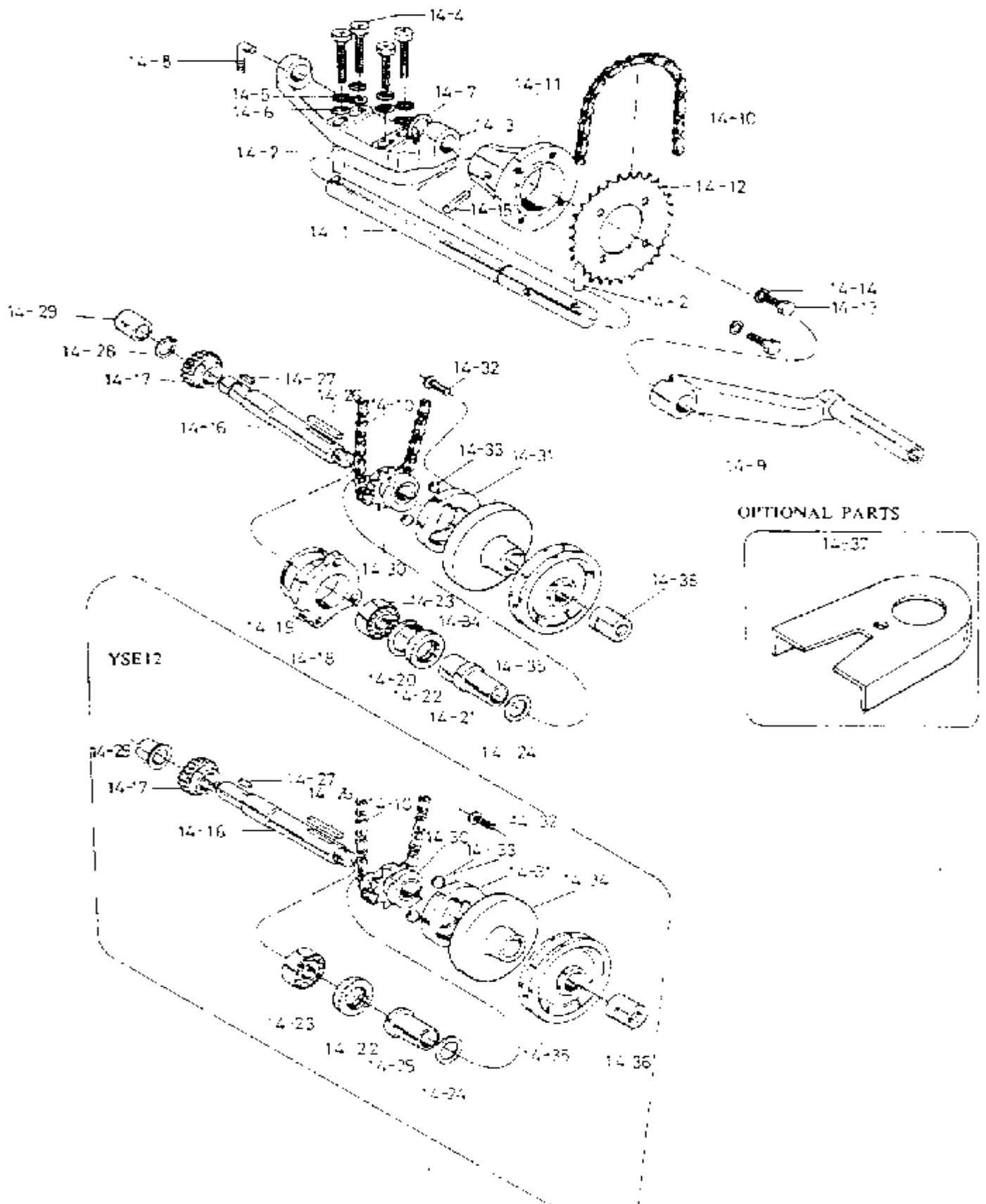


チェーンスターティングデバイス
14. CHAIN STARTING DEVICE

品番 Part No	品名 Description	部品番号 Part No	数量 Quantity					標準 Sales Unit	備注 Remarks
			標準 STANDARD	1 1	2 2	3 3	4 4		
14-1	STARTING SHAFT ASSY	20d-420f	704211-76900	1		1			
		20d-434f	704511-76900		1		1		
14-2	SHAFT, starting shaft	3d-38f	101400-76480	2	2	2	2	10	
14-3	SUPPORT, starting shaft	272f	104211-76121	1		1			
		286f	104511-76121		1		1		
14-4	BOLT, support	M8-40	26117-080402	4	4	4	4	10	
14-5	SPRING WASHER	15.4od-2t	22217-080000	4	4	4	4	10	
14-6	WASHER	18od-1.6t	22137-080000	4	4	4	4	10	
14-7	CRCLIP, starting shaft	25.1d-1.2t	22242-000200	1	1	1	1	10	
14-8	STOPPER, starting shaft	33f-33w	104211-76150	1	1	1	1	10	
14-9	STARTING HANDLE	150f	104211-76790	1					
			104511-76790		1		1		
14-10	ROLLER CHAIN	43-73	25210-430730	1				5	
		43-82	25210-430820		1		1	5	
14-11	MOUNT, sprocket wheel	90d-70w	102210-76190	1	1	1	1		
14-12	WHEEL, sprocket	157d-3.1t	101221-76010	1	1	1	1	5	
14-13	BOLT, wheel	M6-14	26117-060142	4	4	4	4	10	
14-14	SPRING WASHER	12.2od-1.5	22217-060000	4	4	4	4	10	
14-15	TAPER PIN, mount set	7d-40f	25322-070400	1	1	1	1	10	
14-16	SHAFT, power take-off	75d-134.5f	104211-76610	1		1			
		35d-130f	104511-76610		1		1		
14-17	GEAR, drive	60d-26w	104211-76620	1		1			
		55d-19w	104511-76620		1		1		
14-18	SUPPORT, P.T.O. shaft	78f-33w	104211-76630	1		1			

* power take-off symbol = P.T.O.

チェーンスターティングデバイス
Fig.14 CHAIN STARTING DEVICE

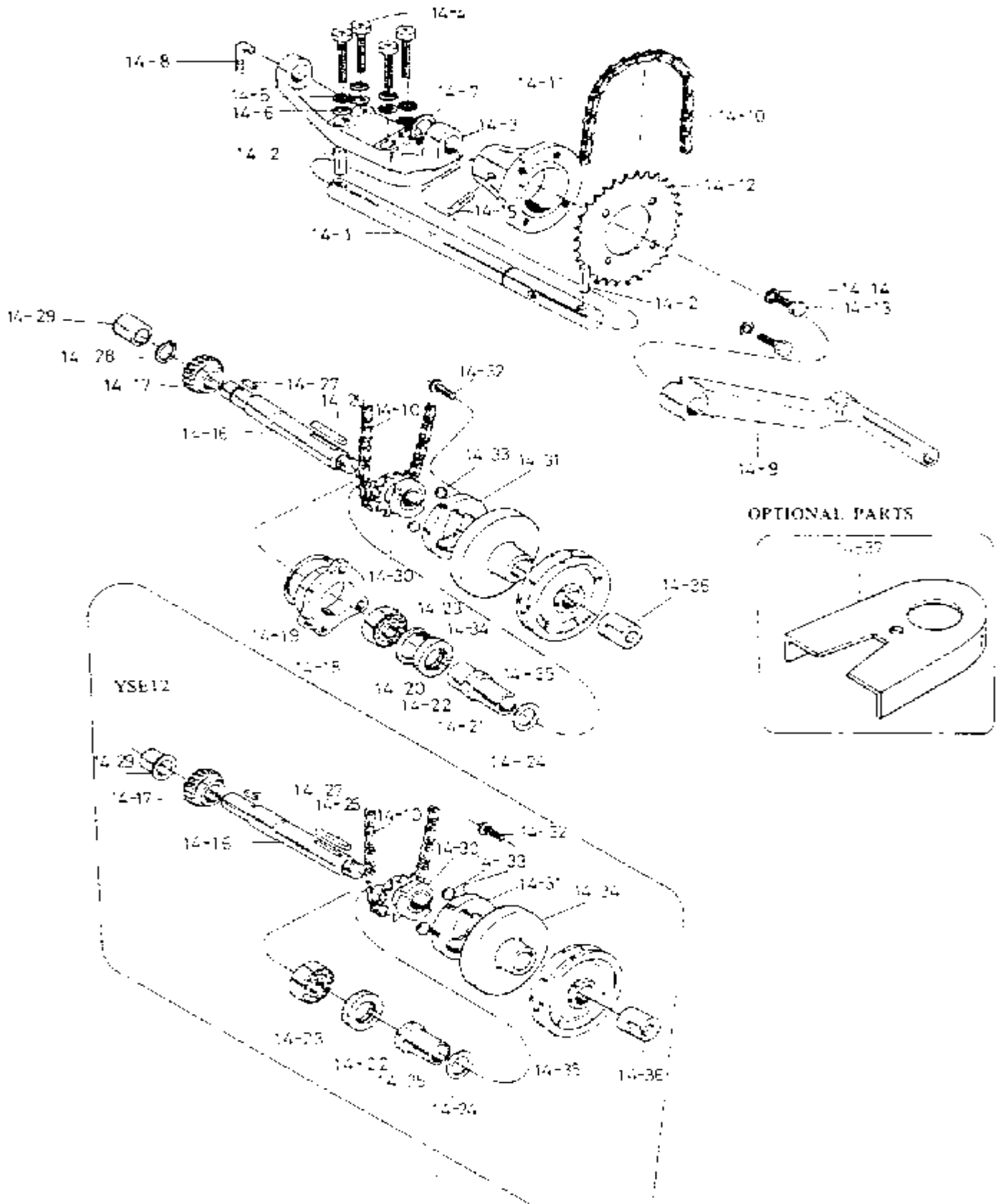


チェーンスターティング デバイス
14. CHAIN STARTING DEVICE

Ref. No.	Description	Part No.	Qty					Sacs Unit	Remarks
			Y81X	Y81	Y81 ML	Y81	Y81		
14-19	G-RING, support O-RING	565od-2t 104211-76650	1	1			10		
14-20	CIRCLIP, bearing CIRCLIP	45.5-1.75t 104211-76630	1	1			10		
14-21	HOI GER, bearing HOI GER	35od 44t 104211-76670	1						
14-22	SFAI SFAI	42wt-8t 104211-76880	1	1	1	1	10		
14-23	BEARING BEARING	47od-12w 24101-060044 5bud-12w 24101-060064	1	1			5	▲ 6004 ▲ 6006	
14-24	WASHER, thrust WASHER	35od-1t 104211-76070 40od-1t 104511-76070	1	1			10		
14-25	RETAINER RETAINER	36od-28.5w 104511-76670	1	1			10		
14-26	KEY, driving pulley KEY	5w-34t 22512-090340 7w-32t 22512-073320	1	1			10		
14-27	KEY, P.T.O. gear KEY	5w 20t 22512-050200 7w 18t 22512-070150	1	1			10		
14-28	CIRCLIP, P.T.O. shaft CIRCLIP	24.17-1.2t 22242-000200	1	1			10		
14-29	BUSH, P.T.O. shaft BUSH	23.11-18w 104211-76640 35wt-18w 104511-76640	1	1			5		
14-30	WHEEL, pinion sprocket WHEEL	54d-25w 104211-76021 66d-25w 104511-76021	1	1			2		
14-31	RING, bush RING	74od-8t 104211-76051 104211-76052	1	1	1	1	2	⑤ OLD ⑥ NEW	
14-32	SCREW SCREW	M6-16 28557-160162	4	4	4	4	10		
14-33	STEEL BALL STEEL BALL	1.41d 24190-080001 24190-090001	2	2	2	2	10	⑤ OLD ⑥ NEW	
14-34	BEARING, outer ring BEARING	62d-29w 101514-75090 62d-29w 101514-75090	1	1					
14-35	PULLEY, generator & oil pump driving PULLEY	90d-37w 104214-76960 110d-57w 104514-76960	1	1					
14-36	NUT, pulley NUT	32d-15w 104214-76850	1	1	1	1	5		

REMARKS
 ⑤, ⑥ Design changed from NOV 73
 Exchangeable with NEW TYPE (104211-76052) with 1/4" BALL (24190-090001)
 % Size of Old type is 110d 28w, Design changed from JULY 73

チェーンスターティングデバイス
Fig.14 CHAIN STARTING DEVICE



チェーンスターティング デバイス
14. CHAIN STARTING DEVICE

図号 Part NO.	名称 Description	部品番号 Part No.	数量 Qty					Sales Unit	備考 Remarks
			標準 STD	特注 SPE	取替 RPL	検査 INS	その他 OTH		
	オプション パーツ "OPTIONAL PARTS"								
14 37	チェーンカバーアッセンブリ CHAIN COVER ASSY	704214 76170 704514 76170	1						
	カバー COVER chain	240c-31h 104214 76170	1						
	ボルト BOLT chain cover support	15d-115.5f 104214 76200	1				2		
		15d-98f 104514 76200		1			2		
	ステー STAY cover	64w-84f 104214 76220	1				2		
	ワッシャー WASHER	16od-1.2t 22117-060000	2	1			10		
	ナット NUT	M6 26717-080002	1	1			10		
	ボルト BOLT	M6-8 26117-060082	4	1			10		

Fig. 14-1. CHANGING SPARE PARTS FOR HAND STARTING DEVICE FROM STANDARD TYPE TO LOW-PROFILE TYPE

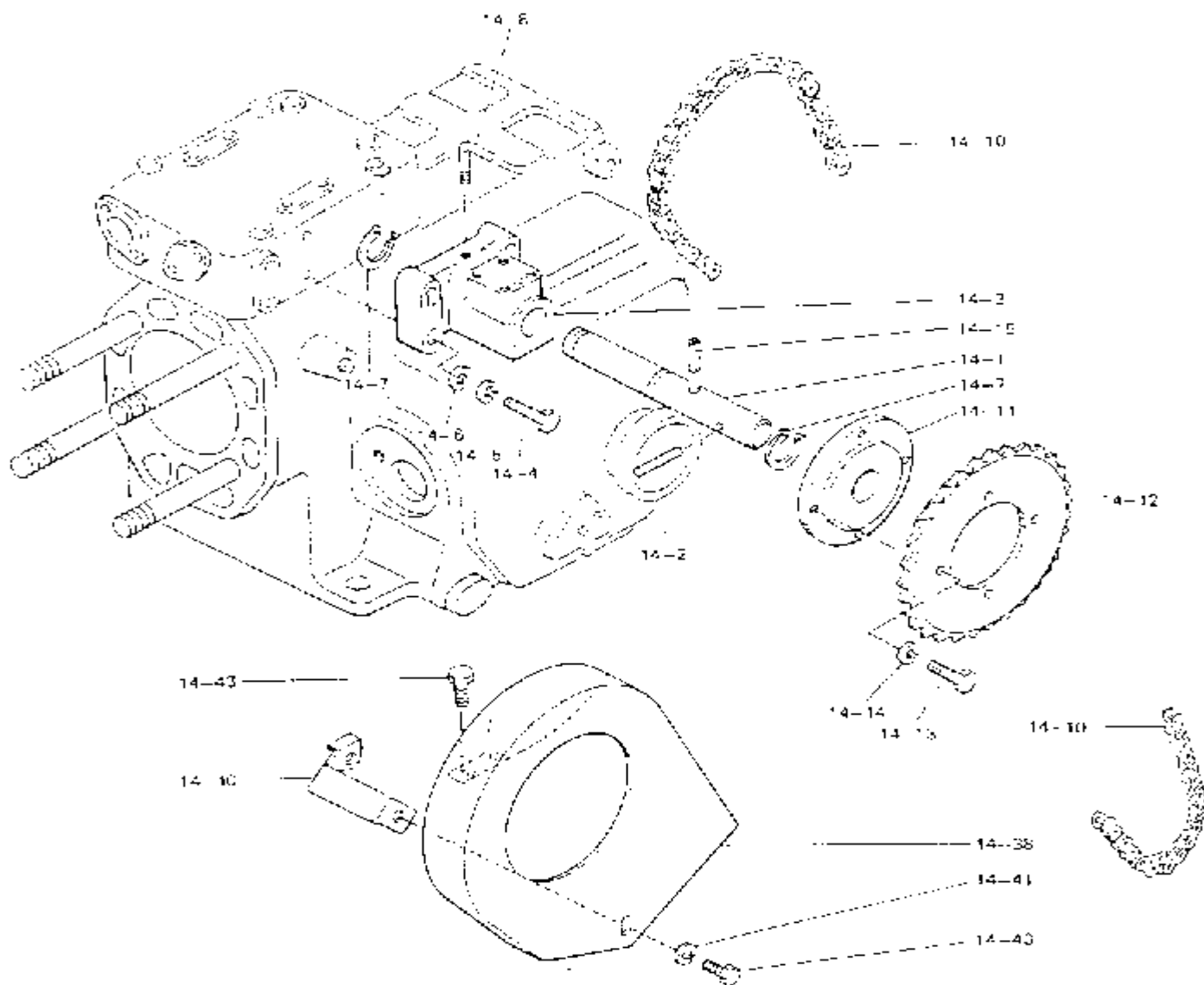
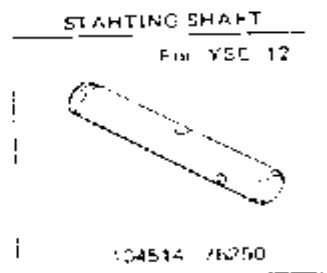
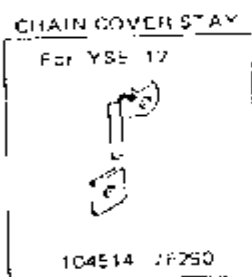


Fig. 14 L. CHANGING SPARE PARTS FOR HAND STARTING DEVICE FROM STANDARD TYPE TO LOW-PROFILE TYPE

Ref. No.	Description	Part No.	Remove		Add		Sales Unit	Remarks
			Y5FR	Y5F12	Y5FR	Y5F12		
8-23	WASHER	11.5cc-0.5t	22137-06000	1	1			
9-23	STUD, engine lifting	M12-85t	28216-100700					
		M12-98t	28216-120900		1			
9-25	NUT, eye bolt	19.5cc-80t	104402-07560	1				
		21.5cc-52.5t	104502-07560		1			
9-26	SPRING WASHER	18.4cc	22217-100000	1				
		21.5cc	22217-120000					
9-27	WASHER	22cc-1.6t	22137-100000	1				
		26cc-2.5t	22137-120000					
12-1	FUEL TANK ASSY	2900-250w	704211-55700	1				
		3200-274w	704511-55700		1			
12-2	- FELT, fuel tank	120x-25w	103854-55200	2	2			
12-3	- COVER, fuel tank	84x-29.7w	101504-55071		1			
12-4	- STRAINER, fuel tank inlet	56x-1.25t	101504-55104	1	1			
12-5	- DRAIN PLUG	12cc-235cc	104211-55060	1				
12-6	- PACKING, drain plug	16cc-11	25414-120000	1				
12-7	- COCK ASSY, fuel tank	64x	704211-55200	1	1			
12-8	- LEVEL GAUGE, fuel	7cc-110t	104511-55160	1	1			
12-9	- CLAMP, level gauge	0.6cc-1.5t	103854-55220	1	1			
12-10	- O-ring, sock	35.7cc-3.5t	24351-000000		1			
12-11	- STRAINER, fuel tank outlet	25cc-130t	104300-55790					
		28cc-170t	104500-55790		1			
12-12	- NUT, sock	M6	26715-750002	2	2			
12-13	- SPRING WASHER, cock	12.3cc	22217-060000	2	2			
12-14	BOLT, fuel tank setting	M8-35	26116-082352	2				
		M6-40	26110-080402		2			
12-15	WASHER	18cc-1.6t	22137-080000	2	2			
12-16	MOUNT, fuel tank	116x-22w	104200-55240					
		128x-25w	104500-55240		1			
12-17	SUPPORT, fuel tank	49.5h-132t	104211-55850					
		54h-139t	104511-55850		1			

Fig. 14-1. CHANGING SPARE PARTS FOR HAND STARTING DEVICE FROM STANDARD TYPE TO LOW-PROFILE TYPE

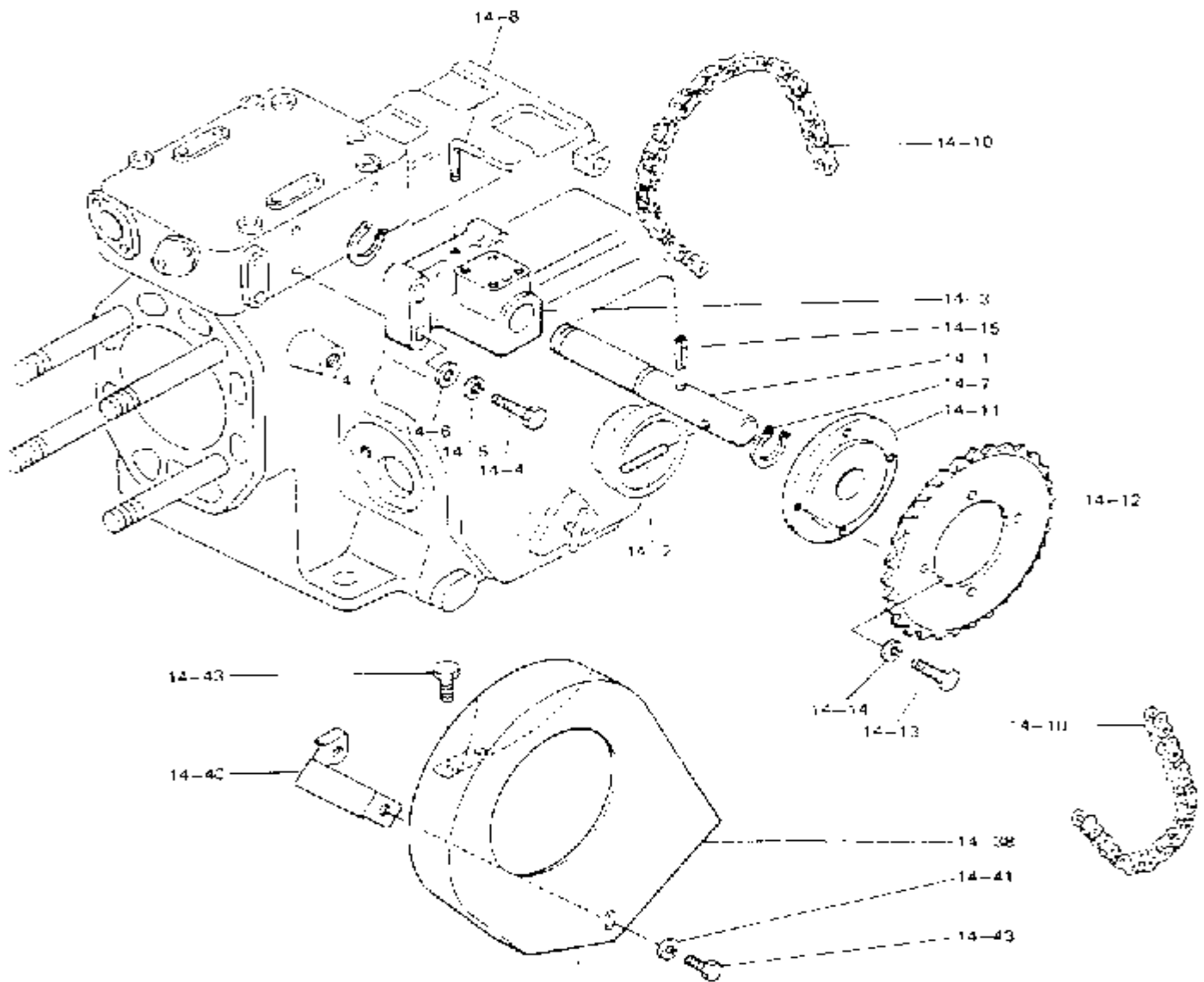
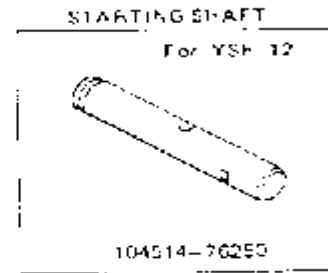
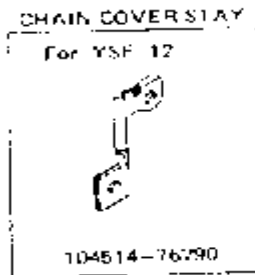


Fig. 14-1. CHANGING SPARE PARTS FOR HAND STARTING DEVICE FROM STANDARD TYPE TO LOW-PROFILE TYPE

Ref. No.	Description	Part No.	Qty				Sales Unit	Remarks
			Remove		Add			
			YSEB	YSL12	YSEB	YSL12		
12-18	BOLT, fuel tank support	M6-10	26117-060109	2				
		M8-65	26115-080652		1			
12-19	WASHER, fuel tank support	18x1-1.6t	22137-080200		1			
12-20	FUEL C L PIPE	350x	104211-59070	1				
		385x	104511-59070		1			
12-21	PIECE, fuel pipe fitting	60x-14w	104100-59920	1	1			
12-22	PACKING, fuel oil pipe inlet	16.5x1-2t	172200-01550		1			
12-26	F.L. OVERFLOW PIPE	540x	103854-59140	1	1			
12-27	CLAMP, overflow pipe	12.5x1	104200-59410	1	1			
13-26	FITTINGS, regulator return spring	13w-16h	101204-67330	1	1			
			104104-67330			1		
13-27	BOLT, return spring piece	M6-10	26117-060109	1	1			
13-28	SPRING, regulator return	59x	103884-67330	1	1			
			104214-67300				10	
			104514-67300			1	10	
14-1	STARTING SHAFT ASSY (with pin)	20x-420x	204211-76900	1				
		20x-434x	204511-76900		1	1		
			204214-76900			1		
			204514-76900				1	
14-2	PIN, starting shaft		101400-76480	2	2	1	1	10
14-3	SUPPORT, starting shaft	272x	104211-75121	1				
		256x	104511-75121					
			104514-75230			1		
14-4	BOLT, support	M8-42	26117-080429	4	4			
			26116-080352			4	4	10
14-7	CIRCLIP, starting shaft	25.1x-1.5t	22242-060200	1	1	2	1	10
14-10	ROLLER CHAIN	43-75	26210-430730	1				
		43-82	25210-430820		1			
			26210-430600					5
			25210-430650				1	5
14-11	MOUNT, sprocket wheel	50x-70w	102210-75130					
			104214-75240			1	1	
14-15	TAPER PIN, mount set SPRING PIN	7x-40L	22322-070400	1				
		8x-32P	22351-060032			1	1	10

Fig. 14-1. CHANGING SPARE PARTS FOR HAND STARTING DEVICE FROM STANDARD TYPE TO LOW-PROFILE TYPE

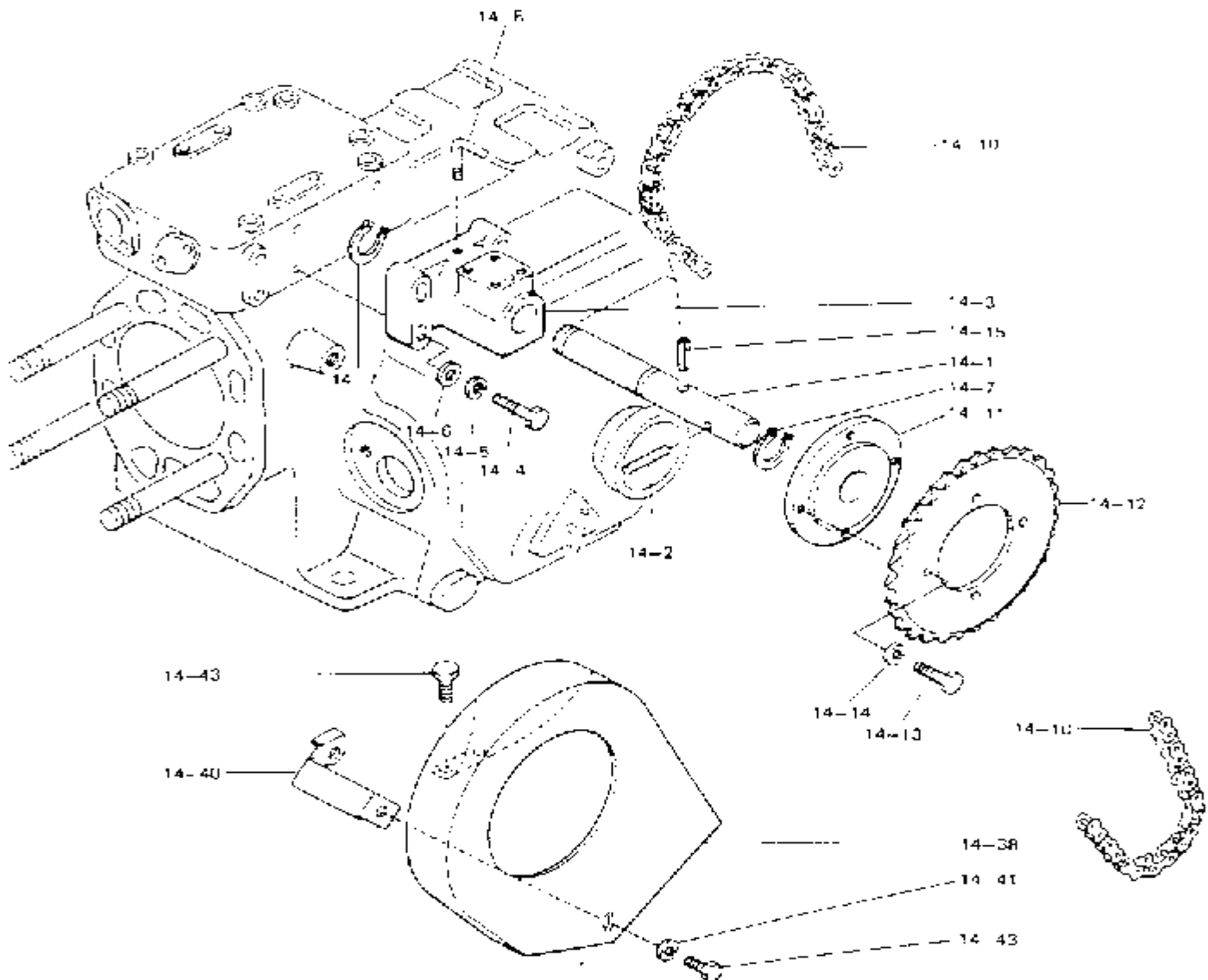
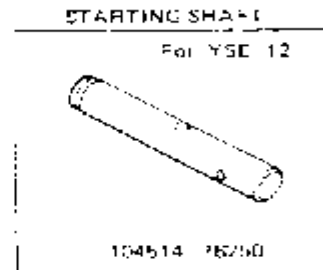
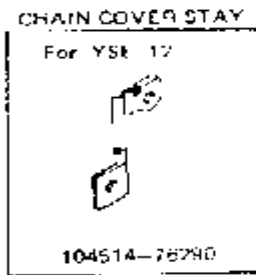
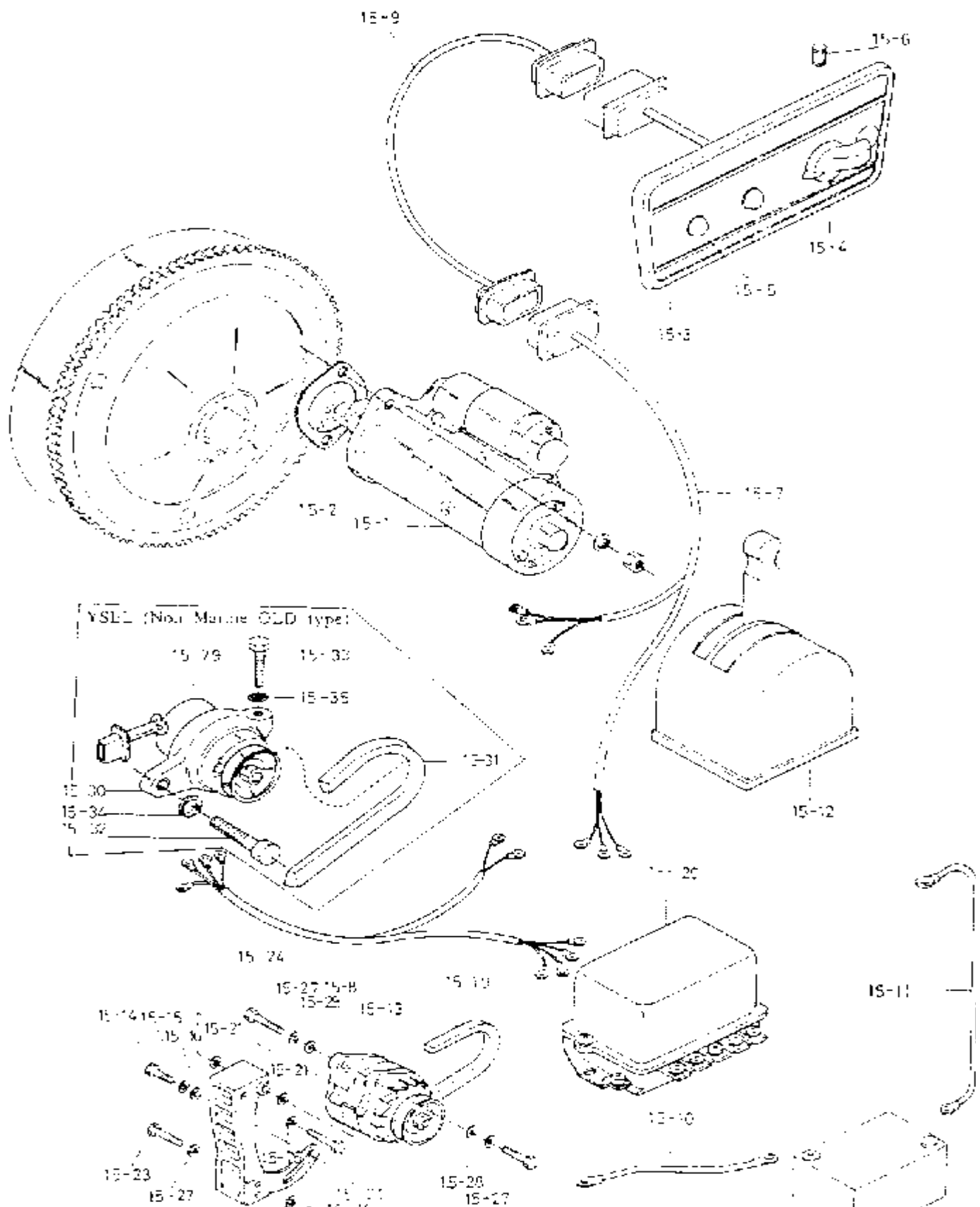


Fig. 14-1. CHANGING SPARE PARTS FOR HAND STARTING DEVICE FROM STANDARD TYPE TO LOW-PROFILE TYPE

Ref. No.	Description	Part No.	Qty				Sales Unit	Remarks
			Remove		Add			
			YSEX	YSE17	YSEX	YSE17		
14-38	COVER, chain	2408-31R	104214-76170	1	1			
			104214-76290			1	1	
14-39	BOLT, chain cover support	15d-115.59 15d-982	104214-76200					
			104514-76200		1			
14-40	STAY, cover	64w-842	104214-76220	1	1			
			104214-76290				2	
			104514-76290				1	
14-41	WASHER	16d-127	22117-080000	2	2			
			22137-080000				10	
14-42	NUT	M8	26716-080002	1	1			
14-43	BOLT	M8-8	26116-060082	4	4			
			26117-060109			3	3	
<u>NO CHANGE PARTS</u>								
14-5	SPRING WASHER		22217-080000	4	4	4	4	10
14-6	WASHER		22137-080000	4	4	4	4	10
14-8	STOPPER, starting shaft		104211-76150	1	1	1	1	10
14-9	STARTING HANDLE		104211-76790	1		1		
			104511-76790		1		1	
14-12	WHEEL, sprocket		102210-76010	1	1	1	1	2
14-13	BOLT, wheel		26116-060142	4	4	4	4	10
14-14	SPRING WASHER		22217-060000	4	4	4	4	10

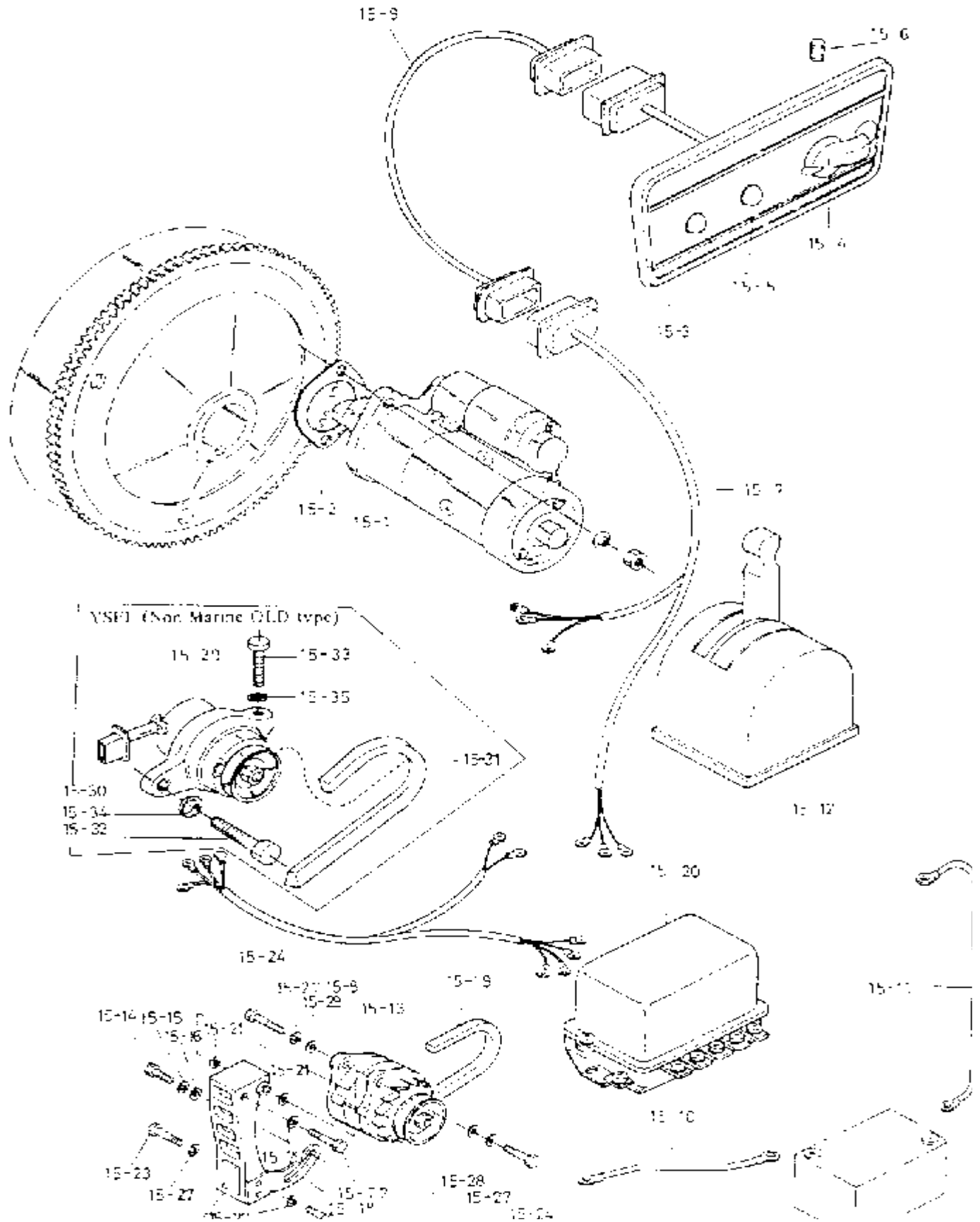
エレクトリック スタートング デバイス
 Fig.15 ELECTRIC STARTING DEVICE



エレクトリック スタार्टィング デバイス
15. ELECTRIC STARTING DEVICE

Ref. NO.	Description	Part No.	Quantity				Sales Unit	Remarks
			15-1	15-2	15-3	15-4		
	STARTER DEVICE ASSY	704214-77100 704514-77120 704214-77120			1	1		
15-1	STARTER	2367 104211-77010	1	1	1	1		
15-2	PACKING, starter	1347-031 104211-77080	1	1	1	1	10	
15-3	PANEL ASSY, instrument	1997-86w 104214-77180 1997-86w	1	1	1	1		@
15-4	SWITCH W/KEY	467 35c-60z 101721-77620 104211-77620	1	1	1	1	Use from Sep 73.	Old
15-5	LAMP, charge	261-190z 104211-77220			1	1	10	
15-5	LAMP, oil	35c-218z 104211-77970 104511-77370	2	2	1	1	10	@
15-6	FUSE (20A)	104214-77500	2	2	2	2	10	@
15-7	WIRE HARNESS (A)	1500z 104214-77320 1500z	1	1	1	1		@
15-8	WIRE HARNESS (B)	1360z 104214-77930	1	1				
	GENERATOR DEVICE ASSY	704211-78100 704511-78100			1	1		@
15-29	GENERATOR	638-133z 104211-78010	1	1				@
15-30	SUPPORT, generator	1207-34z 104211-78230	1	1				@
15-31	V-BELT	457z 104211-78760 104511-78760				1		@
15-32	BOLT, support	M10-30 26116-100302	1	1			10	@
15-33	BOLT, generator	M8-32 25116-080322	1	1			10	@
15-34	WASHER, support	15.4cd-2.5 22217-100000	1	1			10	@
15-35	WASHER, generator	15.4cd-2 22217-060000	1	1			10	@
	"ADDITION"							
	See page 47-60 for the detailed parts of STARTER and GENERATOR.							
Remarks:								
YSE8 1211G Std. engine not used Starter and Generator.								
§ : Not used. Up to engine No. YSEBL-10435 & YSE12L-10454								
When replace the old type of Generator with new one never fail to change the related parts (Ref. No. 15-14-15-20-100).								
@ : Use from engine No. YSEBL-10437 & YSE12L-10455								

エレクトリック スターティング デバイス
Fig.15 ELECTRIC STARTING DEVICE



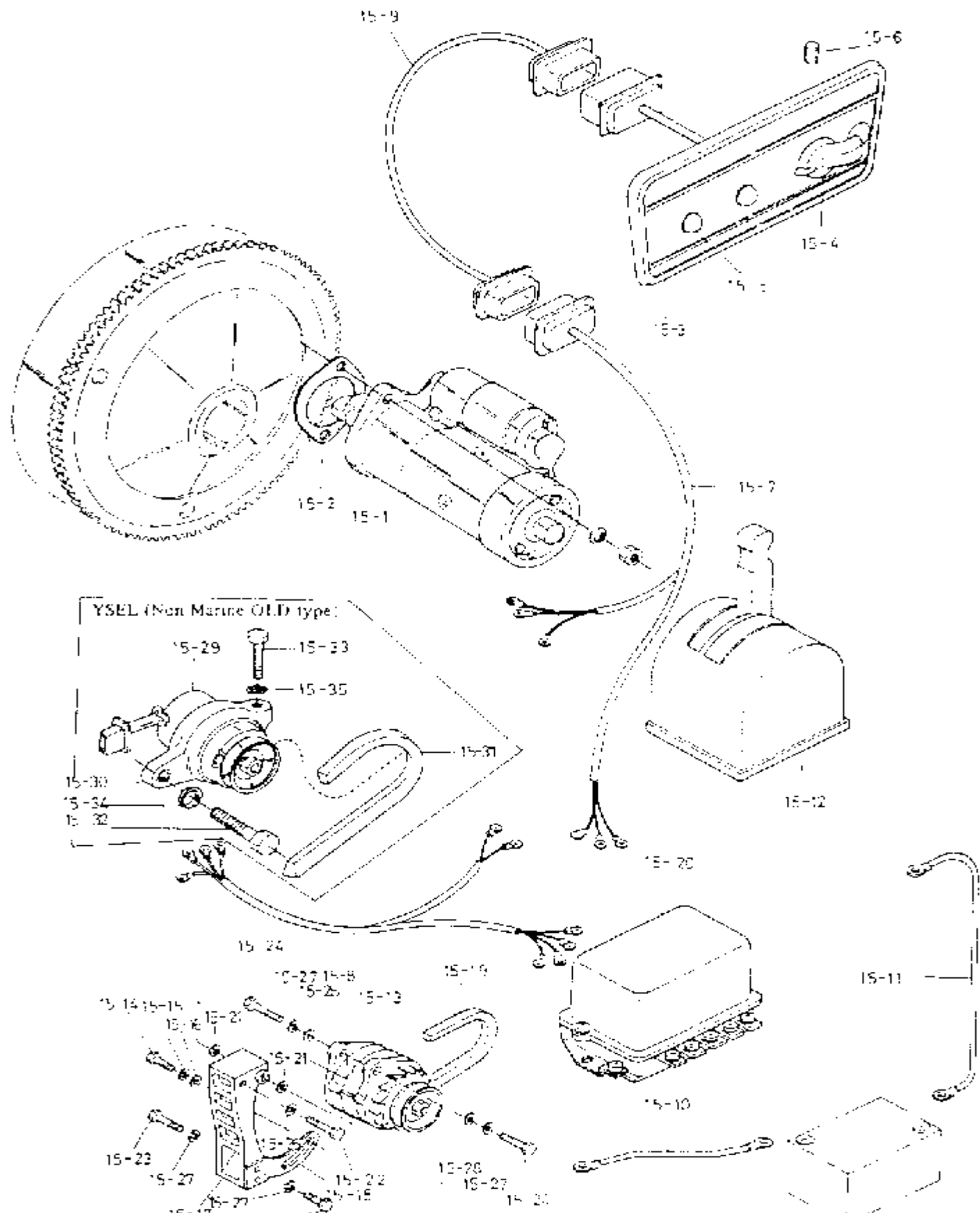
エレクトリック スターティング デバイス
15. ELECTRIC STARTING DEVICE

Ref. NO.	Description	Part No.	Qty.				Sales Unit	Remarks
			YSEB1	YSEB2	YSEB3	YSEB4		
	オプションパーツ "OPTIONAL PARTS" エレクトリック スターティング デバイス ELECTRIC STARTING DEVICE	704214-77500	1	1			@	
		704514-77500		1	1		@	
15-1	スターター STARTER	256ℓ 104211-77010	1	1	1	1	@	
15-2	パッキング, starter PACKING, starter	134ℓ-0.31 104211-77080	1	1	1	1	10 @	
15-3	パネルアッシー, instrument PANEL ASSY, instrument	199ℓ-86w 104214-77750	1	1	1	1	@	
15-4	スイッチ, key SWITCH, key	46ℓ 101721-77520	1	1	1	1	@ Ok	
15-5	ランプ LAMP	55c-60ℓ 104211-77370	1	1	1	1	New From Sep. '73. 10 @	
15-6	フューズ (20A) FUSE (20A)	218ℓ 104214-77300	2	2	2	2	10 @	
15-7	ワイヤーハーネス (A) WIRE HARNESS (A)	1500ℓ 104214-77520	1	1	1	1	@	
15-8	ワイヤーハーネス (B) WIRE HARNESS (B)	1330ℓ 104214-77930	1	1	1	1	@	
15-9	ワイヤーハーネス (remote-control) WIRE HARNESS, (remote-control)	3100ℓ 104214-77340	1	1	1	1	@	
15-10	ケーブル CABLE	1200ℓ 104211-77600	1	1	1	1	@	
15-11	ケーブル CABLE	1200ℓ 104211-77610	1	1	1	1	@	
15-12	スイッチ, battery SWITCH, battery	150h-79ℓ 122330-77640	1	1	1	1	@	
15-13	ジェネレーター GENERATOR	100ℓ 124220-77200	1	1	1	1	@	
15-14	ボルト, adjuster BOLT, adjuster	18-25 26117-06C252	1	1	1	1	10 @	
15-15	スプリングワッシャー, adjust bolt SPRING WASHER, adjust bolt	15.2cd-2t 22217-0E0000	1	1	1	1	10 @	
15-16	ワッシャー, adjuster bolt WASHER, adjuster bolt	16cd-1.2t 22137-0E0000	1	1	1	1	10 @	
15-17	サポート, generator SUPPORT, generator	173h-80w 200h-80w 104214-77250 104514-77250	1	1	1	1	@ @	
15-18	アジャスター, belt ADJUSTER, belt	60w-170ℓ 60w-171ℓ 104214-77330 104514-77330	1	1	1	1	@ @	

Remarks

@: Use from engine No. YSEB1-10437 & YSEB21-10455.

エレクトリック スターティング デバイス
Fig.15 ELECTRIC STARTING DEVICE



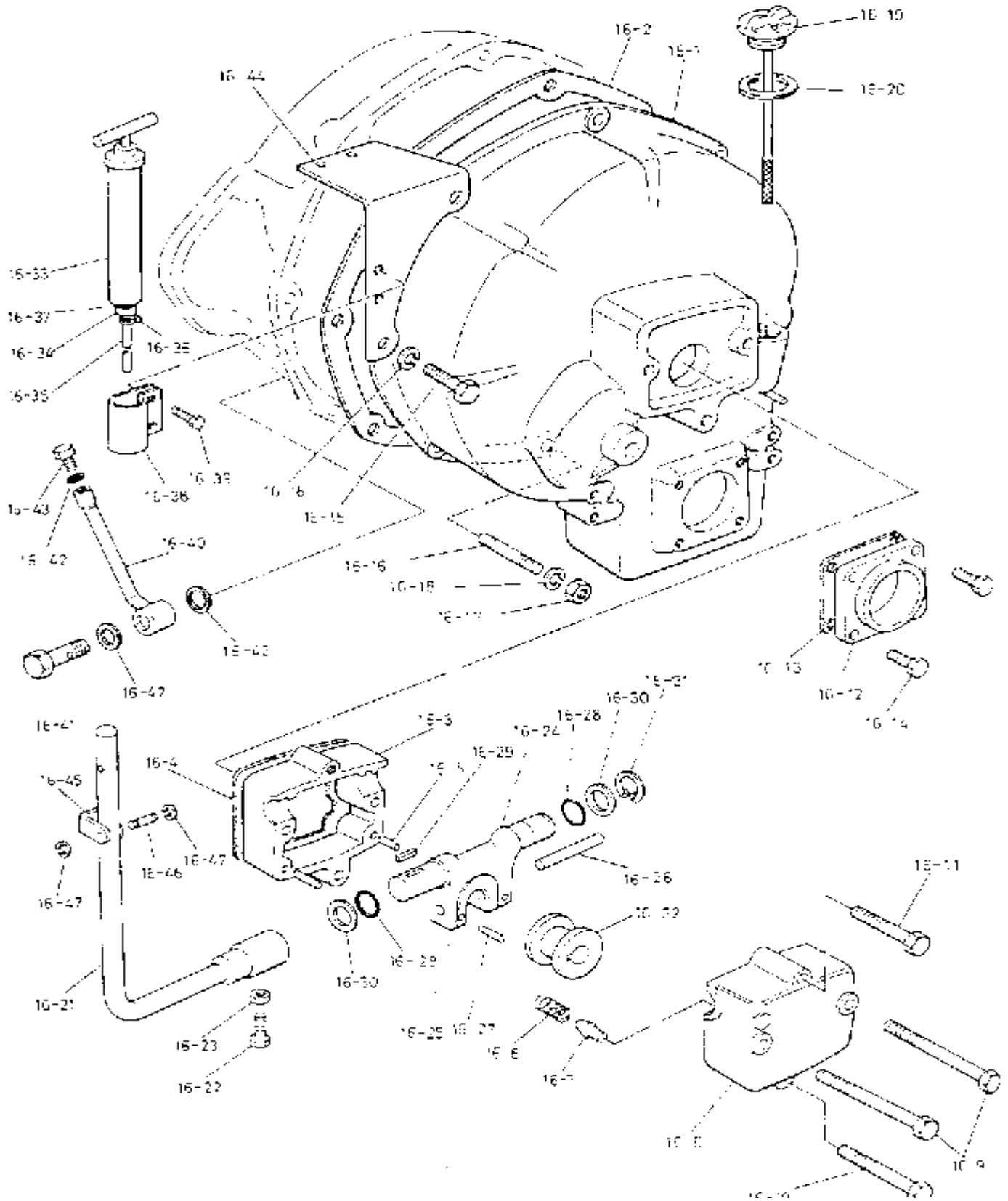
エレクトリック スターティング デバイス
15. ELECTRIC STARTING DEVICE

品番 Ref. No.	品名 Description	部品番号 Part No.	数量 Qty.				単位 Sales Unit	備註 Remarks
			YSP8	YSE12	YSE	YSE12L		
15-19	V-ベルト V-BELT	533c	104211-42780	1				2 1/2 in
		536c	104514-77350		1			2 3/8 in
15-20	レギュレーター REGULATOR	65.5n-128d	124220-77710	1	1	1		@
15-21	SHIM SFT, generator	24cd-0.5t, 0.1t	124250-77390	1	1	1		10 @
15-22	ボルト BOLT, support	M10-55	26117-100652	1		1		10 @
		M10-55	26117-100552		1	1		10 @
15-23	ボルト BOLT, support	M8-40	26117-080402	2		2		10 @
		M8-35	26117-080352		2	2		10 @
15-24	ボルト BOLT, generator	M8-25	26117-080252	2	2	2		10 @
15-25	ボルト BOLT, adjuster	M8-10	26117-080102	2	2	2		10 @
15-26	スプリングワッシャー SPRING WASHER, support	18.4nd-2.5t	22217-080000	1	1	1		10 @
15-27	スプリングワッシャー SPRING WASHER	15.2nd-2t	22217-080000	6	6	6		10 @
15-28	ワッシャー WASHER	16nd-1.2t	22157-060000	4	4	4		10 @

Remarks

@: Use from engine No. YSP8: 10437 &
YSE12L-10455

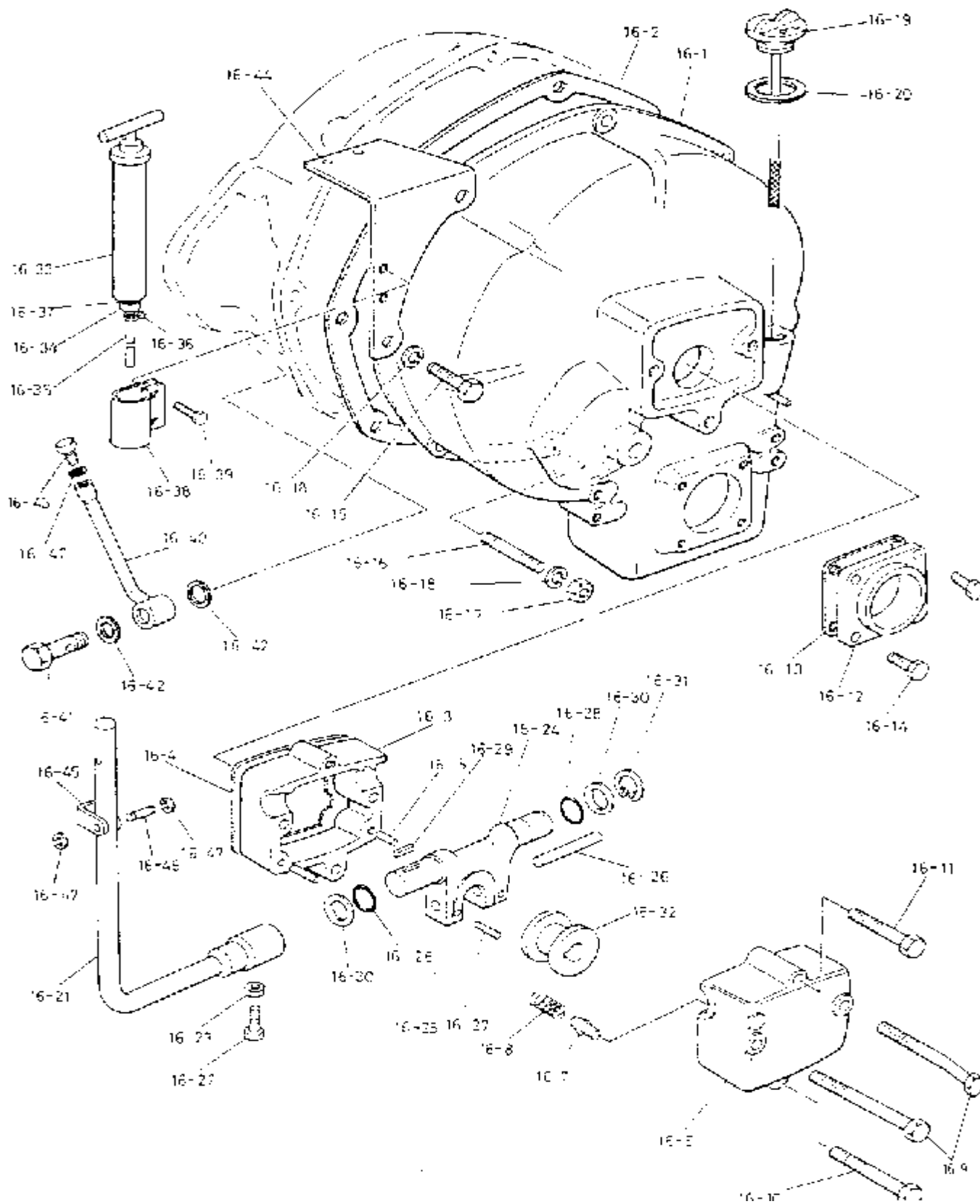
Fig.16 クラッチ ケース
CLUTCH CASE



クラッチ ケース
16. CLUTCH CASE

品番 Part No.	品名 Description	規格 Part No.	数量				標準 Sales Unit	備注 Remarks
			個	組	箱	車		
16-1	クラッチ ケース CLUTCH CASE	400 ϕ -147w 451.5 ϕ -147w	104211-82011 104511-82011	1		1		
16-2	パッキング PACKING, case	344cc-0.3t 375cc-0.3t	104211-82040 104511-82040	1			10 10	
16-3	リアケースアッセンブリ REAR CASE ASSY, ahead shaft	103 ϕ -102w	104211-82470	1		1 1		
16-4	パッキング PACKING, case	103 ϕ -102w	104211-82090	1	1	1 1	10	
16-5	リアハウジングピン REAR HAVI FL PIN, rear case	4cc-10 ϕ	22212-040100	2	2	2 2	10	
16-6	カバー COVER, rear case	106 ϕ -99w		1	1	1 1	Order from assembly	
16-7	クロー CLAW, neutral point set	3cc-32.7 ϕ	124210-83350	1	1	1 1	5	
16-8	スプリング SPRING, neutral point set claw	0.7cc-22 ϕ	120220-82130	1	1	1 1	10	
16-9	ボルト BOLT, rear case & cover	M8-85	26117-080952	2	2	2 2	10	
16-10	ボルト BOLT, rear case & cover	M8-65	26117-080552	1		1 1	10	
16-11	ボルト BOLT, cover cover	M8-55	26117-080552	1		1 1	10	
16-12	リアカバー REAR COVER, thrust shaft	2cc-82 ϕ	104211-82230	1	1	1 1		
16-13	パッキング PACKING, cover	82 ϕ -0.3t	104211-82240	1	1	1 1	10	
16-14	ボルト BOLT, thrust shaft cover	M8-20	26117-080202	4	4	4 4	10	
16-15	ボルト BOLT, clutch case	M8-80 M8-95 M8-30	26117-080802 26117-080952 26117-080302	1 1 2		1 1 5	10 10 12	
16-16	スタッド STUD, clutch case	5cc-38 ϕ w	20217-080202	1		1 1	10	
16-17	ナット NUT, stud	M8	26217-080302	1		1 1	10	
16-18	スプリングワッシャー SPRING WASHER	15.4cc-2t	22217-080300	6	6	6 6	10	
16-19	キャップワッシャー CAP W/SHAGE, oil feed port	38cc-173 ϕ w 38cc-204 ϕ w	104211-82910 104511-82910	1		1 1	5 5	

Fig.16 クラッチ ケース
CLUTCH CASE

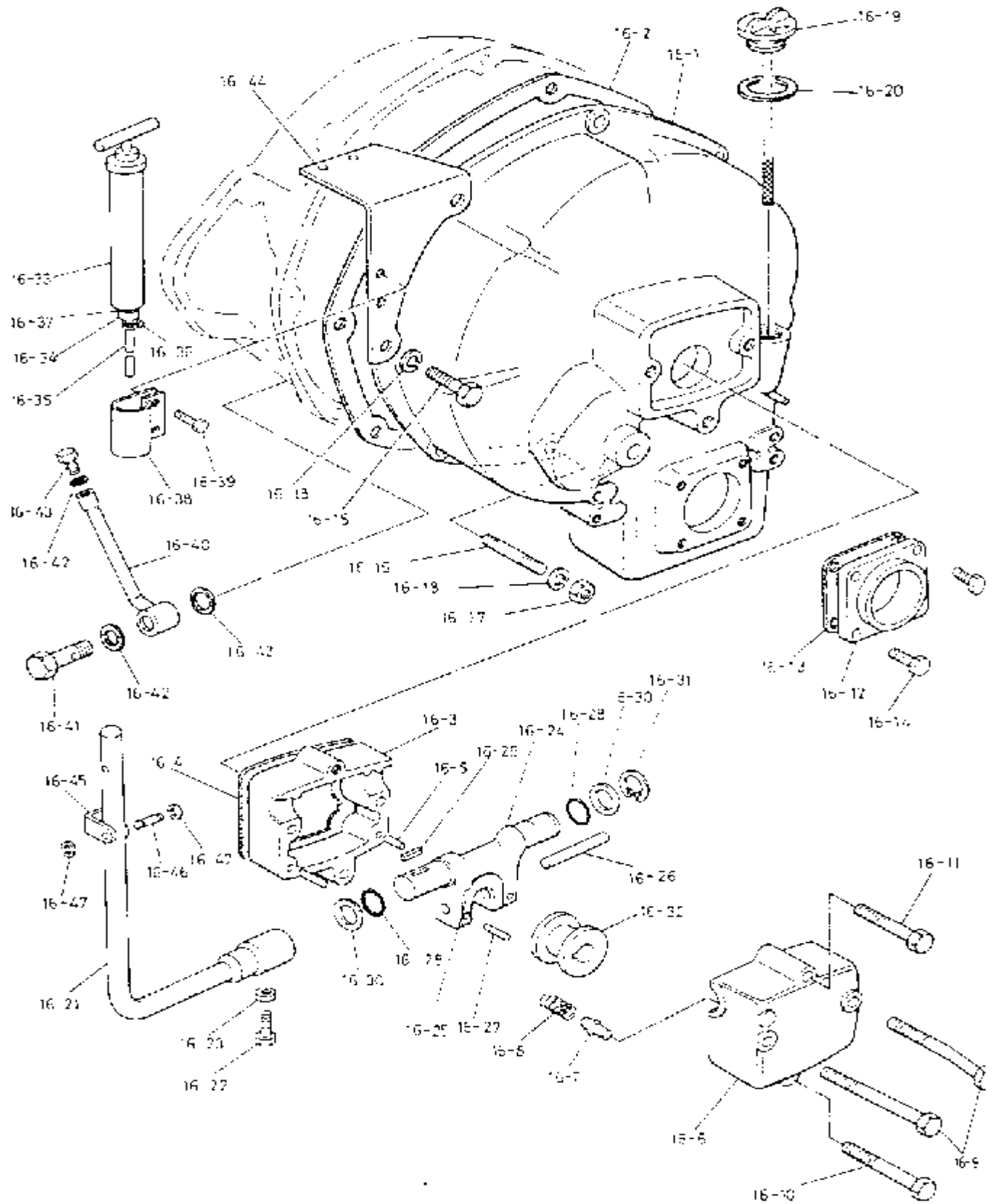


クラッチ ケース
16. CLUTCH CASE

品番 Ref. No.	品名 Description	規格 Part No.	在庫数 Inventory					販売 Sales Unit	残高 Remain
			15.11	15.12	15.13	15.14	15.15		
16-20	パッキング PACKING, cap	380c-2c	101104-01780	1	1	1	1	10	
16-21	レバー LEVER, operating		104214-84450	1	1	1	1		
16-22	ボルト BOLT, lever	M8-20	26117-060202	1	1	1	1	10	
16-23	ナット NUT, lever	M8	26757-000002	1	1	1	1	10	
16-24	レバー フォーク アッセンブリ LEVER FORK ASSY, shifter	57.5w-126c	120220-84470	1	1	1	1		
16-25	ブッシュ BUSH, shifter	40c-35w	120220-84300	1	1	1	1	2	
16-26	平行ピン PARALLEL PIN	8c-18c	22312-080180	2	2	2	2	10	
16-27	テーパピン TAPER PIN	3d-22c	27532-030220	2	2	2	2	10	
16-28	Oリング O RING	24.5od-2.4c	24311-000180	2	2	2	2	10	
16-29	キー KEY, lever	5w-15c	22512-050180	1	1	1	1	10	
16-30	ワッシャー WASHER, spring	28d-57w	120220-84130	2	2	2	2	10	
16-31	サークル CIRCLIP	23d-1.2c	22242-050180	1	1	1	1	10	
16-32	シフター SHIFTER	385d-24w	121220-84310	1	1	1	1	2	
	オプションパーツ "OPTIONAL PARTS" オイル エバクエーション ポンプ アッセンブリ OIL EVACUATION PUMP ASSY		274214-39300	1	1	1	1		
16-33	オイルポンプ OIL PUMP, evacuation	248c	43600-500040	1	1	1	1		
16-34	ジョイント JOINT, pipe	145d-25c	104214-39650	1	1	1	1	10	
16-35	パイプ PIPE	90c-100c	23061-071000	1	1	1	1	5	
16-36	クランプ CLAMP	21c	23010-012000	1	1	1	1	10	
16-37	パッキング PACKING	180c-11	23414-140300	1	1	1	1	10	
16-38	バンド BAND, pump	54c-54w	104214-39650	1	1	1	1	5	
16-39	ボルト BOLT, band	M5-12	26117-060129	2	2	2	2	10	

(TO BE CONTINUED TO THE NEXT PAGE)

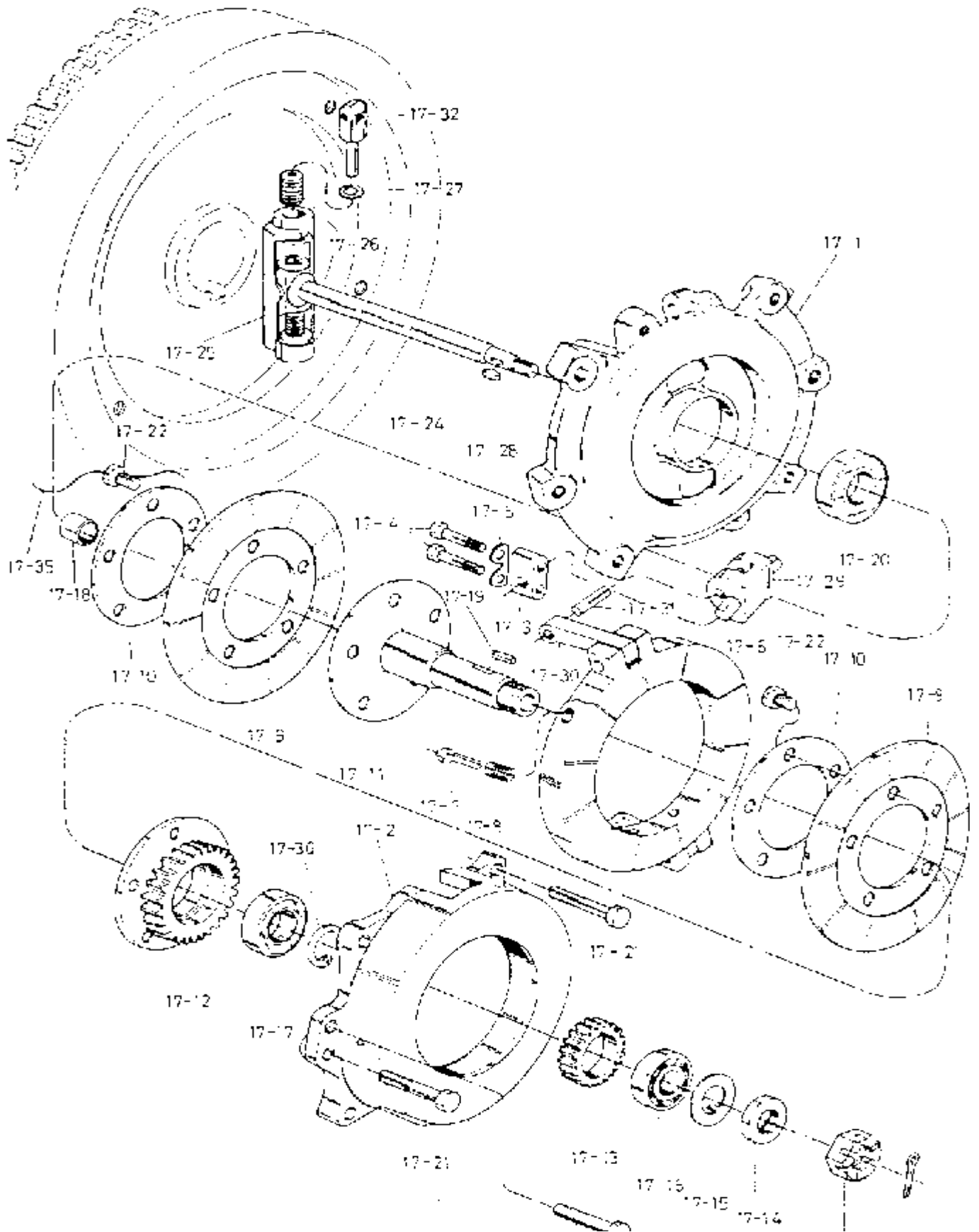
クラッチ ケース
Fig.16 CLUTCH CASE



クラッチ ケース
16. CLUTCH CASE

品名 Part No.	品名 Description	品名 Part No.	数量 Qty				単位 Sales Unit	備考 Remarks
			Y18	Y17	Y16	Y15		
16-40	パイプ PIPE, drain	154E	104214-39710	1	1	1		
16-41	ボルト BOLT, joint	163c-38.6oa	104214-39720	1	1	1	10	
16-42	パッキング PACKING	210c-11	23414-160000	3	3	3	3	10
16-43	プラグ PLUG	163c-28.5/oa	104200-01890	1	1	1	1	10
	オプション部品 "OPTIONAL PARTS"		704214-86100	1	1			
	クラッチリモートコントロールデバイス CLUTCH REMOTE CONTROL DEVICE		704514-86100				1	
16-44	ブリACKET, Morse wire	149c-83w 152E-83w	104214-86100 104514-86100	1	1			
16-45	ジョイント JOINT, Morse wire	22w-41E	104214-85030	1	1	1	1	
16-46	ピン PIN, joint	3c-30E	41710-000660	1	1	1	1	2
16-47	サークルクリップ CIRCLIP, pin	14c	22272-000070	2	2	2	2	10

クラッチ (フリクション プレート、ハウジング)
 Fig.17 CLUTCH (FRICTION PLATE, HOUSING)



クラッチ (フリクション プレート, ハウジング)
17. CLUTCH (FRICTION PLATE, HOUSING)

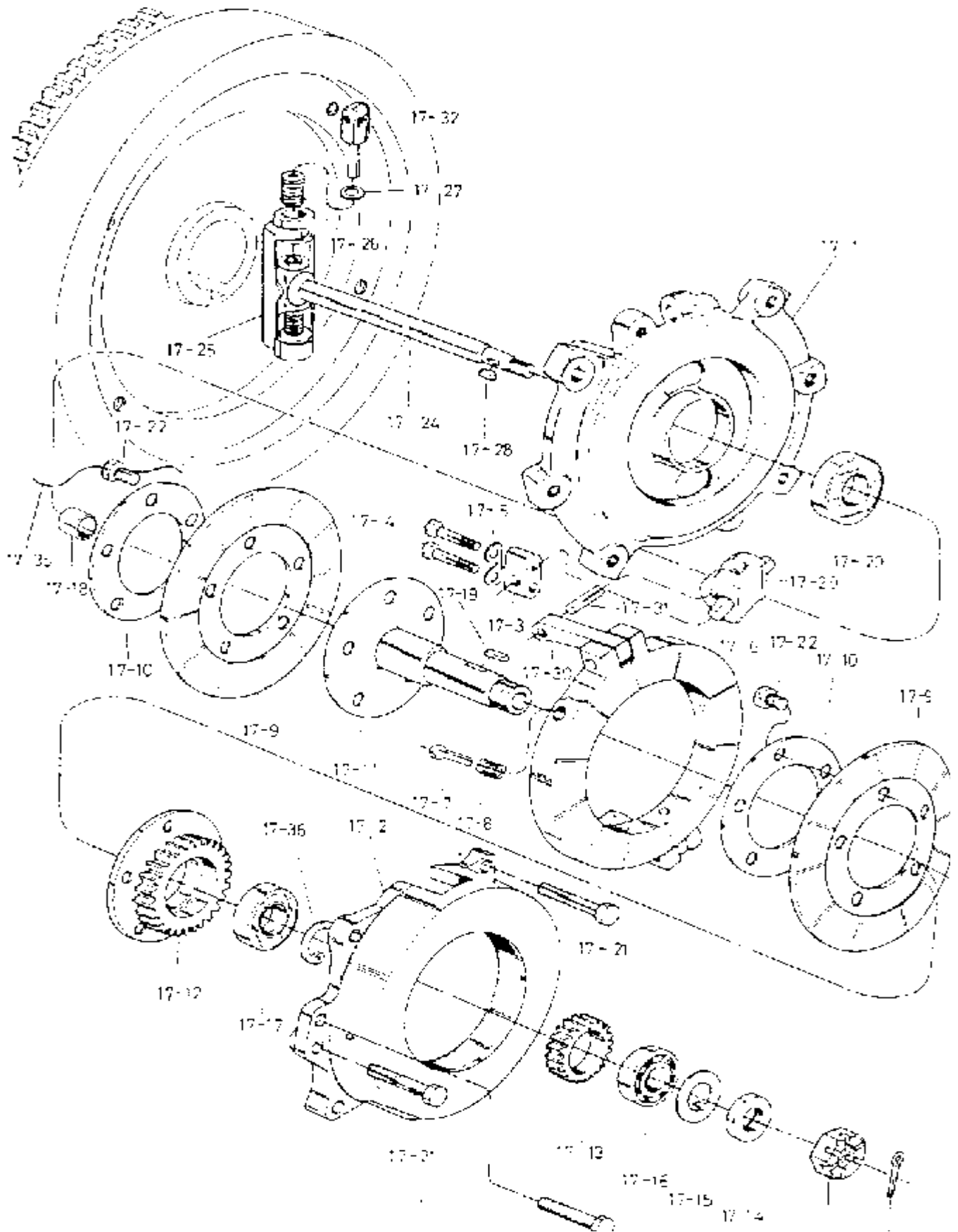
品番 Ref. NO.	品名 Description	寸法 Part No.	数量 Qty				販売 Sales Unit	備注 Remarks	
			原 本	現 行	新 規	計 数			
17-1	ハウジング (A) HOUSING (A), friction plate	210d-27t	104211-83101	1	1				
		230d-32t	104511-83101			1			
17-2	ハウジング (B) HOUSING (B), friction plate	212c-46w	104211-83111	1	1				
		230c-46w	104511-83111			1			
			104511-83111				◎ Old ○ New		
17-3	コネクタ CONNECTER, V-lever	40d-20w	122310-83550	2	2	2	2	2	
17-4	ボルト BOLT, connector	6d-45f	122310-83350	4	4	4	4		10
17-5	ワッシャー WASHER, connector	44f-13w	122310-83330	2	2	2	2		10
17-6	フリクションプレート FRICTION PLATE	192f-18t	104211-83340		1	1		1	
		150d-18t	120220-83341					1	◎ Old
17-7	クロー CLAW, friction plate	5c-32.7f	124210-83350	3	1	3	1		10
			124210-83360			4	4		10
			124210-83370	3	3	3	3		10
17-8	フリクションディスク FRICTION DISC	150d-5t	104211-83300	2		2			
		180d-5t	122310-83300				2		
17-10	ワッシャー WASHER, friction disc	103d-2.2t	122310-83330	2	2	2	2		
17-11	アヘッドシャフト AHEAD SHAFT	103d-122f	104211-83210	1	1		1		
17-12	リバースギア REVERSE GEAR	103c-28w	104211-83200	1					◎ Old
		103c-28w	104511-83200			1	1		◎ Old
17-13	アヘッドシャフトギア AHEAD SHAFT GEAR	66c-26.5w	104211-83520	1					◎ Old
		66c-26.5w	104213-83520				1		◎ Old
		78d-26.5w	104511-83520						◎ Old
17-14	ナット NUT, ahead shaft	41.6d-10w	104211-83450	1		1			10
17-15	ワッシャー WASHER	46d-1t	104211-83400	1		1			10
17-16	ベアリング BEARING, ahead shaft	52od-15w	24101-0620E4	1	1	1	1		5
17-17	ベアリング BEARING, reversing gear	47od-12w	24101-0600E4	1	1	1	1		5
17-18	プッシュ PUSH, shifting shaft	17od-20f	122310-83800	2	2	2	2		10
17-19	キー KEY, ahead shaft gear	7w-20f	22510-070200	1	1		1		10
17-12	リバースギア REVERSE GEAR		104211-83201	1					◎ NEW
			104511-83201				1		◎ NEW
17-13	アヘッドシャフトギア AHEAD SHAFT GEAR		104211-83521	1					◎ NEW
			104213-83521				1		◎ NEW
			104511-83521		1			1	◎ NEW

Remarks:

①: See Remarks in next page.

◎: Design changed from May '72.

クラッチ (フリクション プレート、ハウジング)
 Fig.17 CLUTCH (FRICTION PLATE, HOUSING)



クラッチ (フリクション プレート, ハウジング)
17. CLUTCH (FRICTION PLATE, HOUSING)

品番 Part No.	品名 Description	規格 Spec.	部品 Part No.	数量 Qty.				単位 Sales Unit	備考 Remarks
				YSE	YSE	YSE	YSE		
17-20	ベアリング BEARING, ahead shaft	52od-15w	24107-067054	1	1	1		6	* 620522
17-21	ボルト BOLT, housing (A B)	M10-45	26116-100452	5	5	6	5	10	
17-22	ボルト BOLT, friction disc	6x1-17.5da	20220-85290	15	15	15	15	10	
17-23	ボルト BOLT, housing (B)	M8-30	26116-000302	2	2	2	2	10	
17-24	シフトシャフト組立 SHIFTING SHAFT ASSY		104211-84490 104511-84490	1		1			
17-25	ホルダ HOLDER, shifting shaft	26d-128f 26d-150f		1				4	order assy
					1		1	4	order assy
17-26	スプリング SPRING, holder	17.5od-31f 17.5od-40.5f	104211-84460 104511-84460	2		2		10	
					2		2	10	
17-27	スプリングワッシャー SPRING WASHER	25od-2t	104211-84480	2	2	2	2	10	
17-28	キー KEY, shifting shaft	4w-12.0f	22522-040150	1	1	1	1	10	
17-29	レバー LEVER	62f	124210-84402	2	2	2	2	2	
17-30	リンク LINK	18w-88f	122310-84421	2	2	2	2	2	
17-31	フィン FIN, link	3c-32f	124210-84410	4	4	4	4	10	
17-32	プッシュロッドワッシャー PUSH ROD WASHER	65.5f 76.5f	104211-84440 122310-84450	2		2		2	
					2		2	2	
17-33	NLT, ahead shaft	21.9od-10w	26877-120002	1	1	1	1	10	
17-34	コッターピン COTTER PIN	3c-25f	22411-300250	1	1	1	1	10	
17-35	ワイヤ, friction disc bolt	1d	22451-100000	2	2	2	2	10	
17-36	サークリップ CIRCLIP		22952-002470	1	1	1	1	10	@ NEW

Remarks:

s - OLD TYPE, n - NEW TYPE

Changed Engine No.

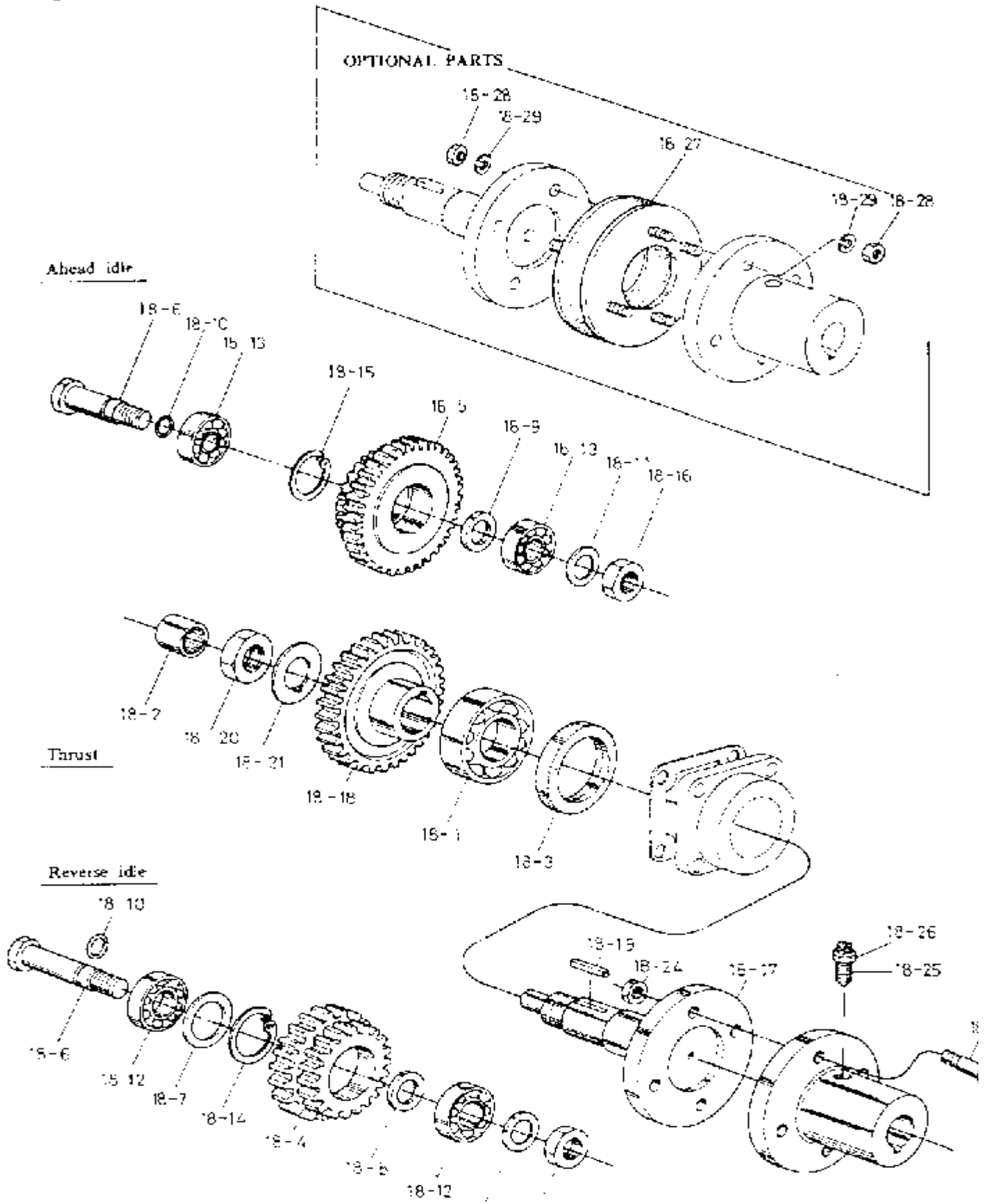
YSE BX 20241 ~ YSE BX 20091 ~ YSE BGY 20311 ~

YSE BCX 20211 ~ YSE BGCX 20091 ~ YSE BGY 20051 ~

YSE 12X 20301 ~ YSE 12CX 20101 ~ YSE 12GCX 20071 ~

YSE 12CX 20121 ~ YSE 12CY 20021 ~

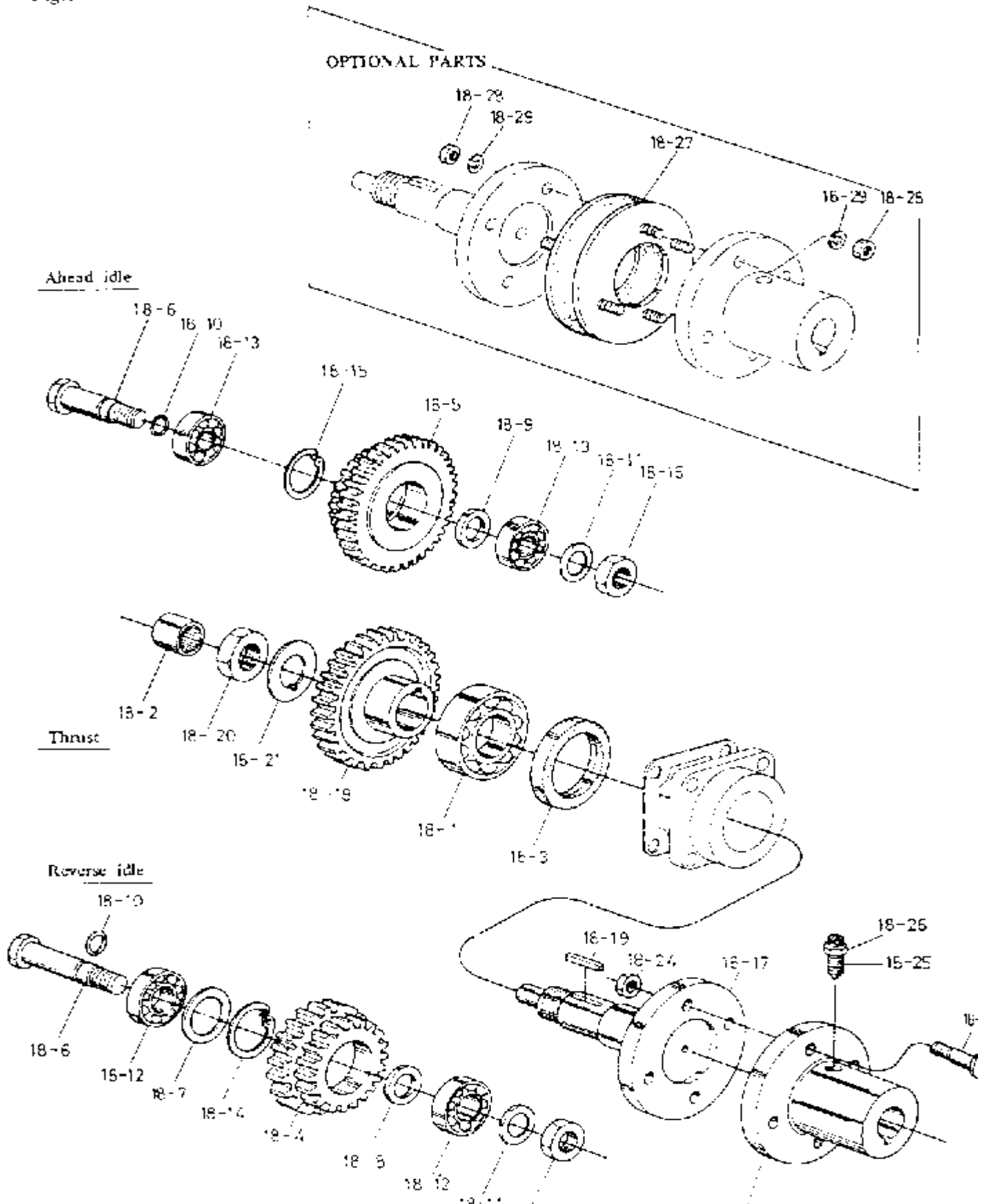
クラッチ (スラスト シャフト、アイドル ギャー シャフト)
 Fig.18 CLUTCH (THRUST SHAFT, IDLE GEAR SHAFT)



クラッチ (スラスト シャフト, アイドル ギヤ シャフト)
 18. CLUTCH (THRUST SHAFT, IDLE GEAR SHAFT)

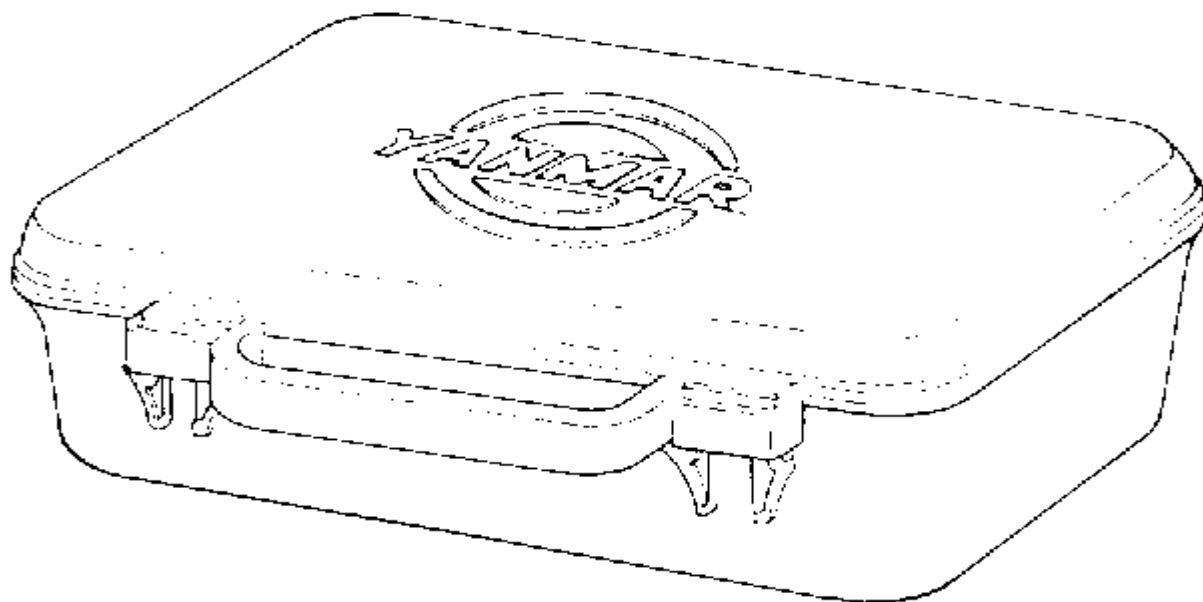
クランプ 番号 Ref. No.	品名 Description	寸法 Part No.	数量				検査 項目	備考 Remarks
			Y/F	Y/L	Y/R	Y/B		
18-1	ベアリング thrust shaft ベアリング thrust shaft	67.7od-16w 104211-82285	1	1	1	1	+ 6206 NR	
18-2	ニードルベアリング NEEDLE BEARING, thrust shaft 37od-20w	104211-82285	1	1	1	1	5	
18-3	オイルシール OIL SEAL, thrust shaft	60od-9t 104200-82220	1	1	1	1	10	
18-4	リバースアイドルギヤ REVERSE IDLE GEAR	77.5d-33w 104211-83930	1				Z-24.20	
		77.5d-33w 104213-83930					Z-24.10	
		89.5d-33w 104511-83930	1			1	Z-28.20	
18-5	アヘッドアイドルギヤ AHEAD IDLE GEAR	108d-36w 104211-83941	1				Z-26.35	
		111d-36w 104213-83941				1	Z-22.36	
		137d-36w 104511-83940					Z-31.42	
		122d-36w 104513-83940					Z-24.42	
18-6	アイドルギヤシャフト IDLE GEAR SHAFT	82.5d	2	2	2	2	5	
18-7	ワッシャー (A), idle gear shaft	40od-3.2t 104211-83950	1	1	1	1	10	
18-8	ワッシャー (B), idle gear shaft	40od-5t 104211-83950	1	1	1	1	10	
18-9	ワッシャー, ahead idle gear shaft	32od-2t 104511-83960	1	1	1	1	10	
18-10	O-RING, idle gear shaft	17.5od-1.5t 104211-83970	2	2	2	2	10	
18-11	ワッシャー, idle gear shaft	20od-5t 104700-81240	2	2	2	2	10	
18-12	ベアリング, reverse idle gear	40od-12w 24101-062034	2	2	2	2	5 + 8203	
18-13	ベアリング, ahead idle gear	42od-14w 24101-063034	2	2	2	2	5 + 8303	
18-14	サークルリップ, reverse idle shaft	42.5od-1.75t 22252-100430	1	1	1	1	10	
18-15	サークルリップ, ahead idle shaft	50.5od-1.75t 22252-100470	1	1	1	1	10	
18-16	ナット, idle shaft	M16 26735-160002	2	2	2	2	10	
18-17	スラストシャフト THRUST SHAFT	100d-158.5d 104211-83270	1	1	1	1		
18-18	スラストシャフトギヤ THRUST SHAFT GEAR	93d-53.5w 104211-83540	1				Z-29	
		105d-53.5w 104213-83531					Z-34	
		116d-53.5w 104511-83530			1		Z-35	
		125d-53.5w 104513-83530				1	Z-42	

クラッチ (スラスト シャフト, アイドルギヤ シャフト)
 Fig.18 CLUTCH (THRUST SHAFT, IDLE GEAR SHAFT)

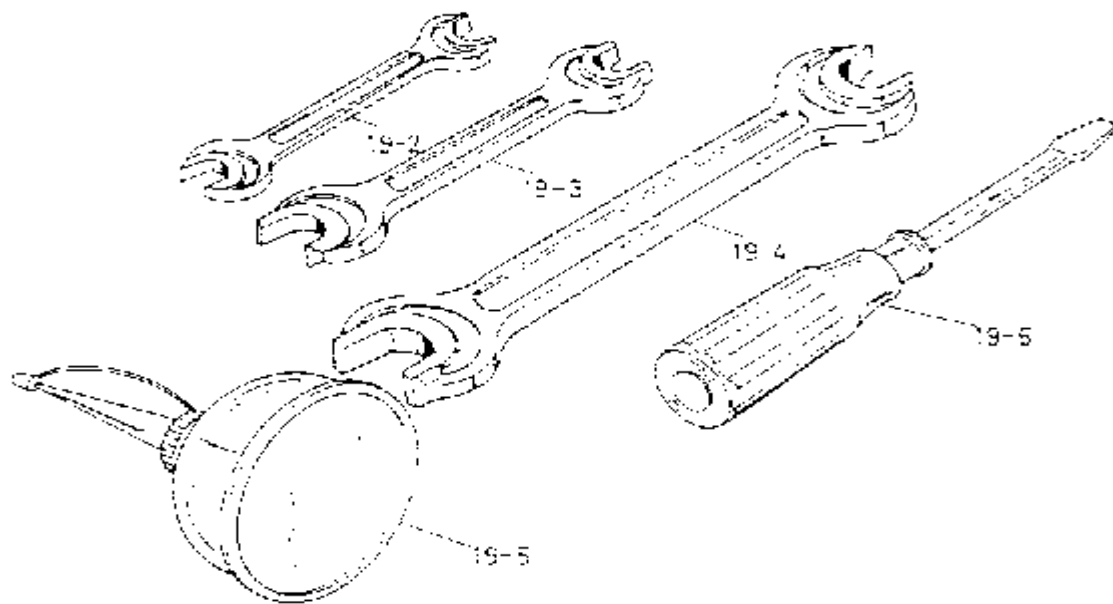


クラッチ (スラスト シャフト, アイドル ギヤー シャフト) 18. CLUTCH (THRUST SHAFT, IDLE GEAR SHAFT)												
品番 No. Ref. NO.	品名 Description	規格 Part No.	数量 Qty				単位 Unit	備注 Remarks				
			YSE	YBT	YSC	YSL						
18-19	* KEY, thrust shaft 7w-30z	22512-070390	1	1	1	1	10					
18-20	ナット NUT, thrust shaft M27	26772-270002	1	1	1	1	10					
18-21	ワッシャー WASHER, thrust shaft 57od-8t	104211-83400	1	1	1	1	10					
18-22	カップリング COUPLING 100d-76w	48110-52236C	1					shaft dia. 22 shaft dia. 25 shaft dia. 26				
		48110-C25062		1	1							
		48110-C28062				1						
18-23	ナット NUT M10-32	26116-100322	4	4	4	4	10					
18-24	ナット NUT M10	26716-100002	4	4	4	4	10					
18-25	ネジ SCREW 8sd-23 6w	48110-032411	1	1	1	1	10					
18-26	ナット NUT M6	26757-080002	1	1	1	1	10					
オプション部品 "OPTIONAL PARTS"												
フレキシブルカップリングアッセンブリ FLEXIBLE COUPLING ASSY 704214-85450								1	1	1	1	
18-27	カップリング COUPLING, flex ble 135d-76w		1	1	1	1		order assy				
18-28	ナット NUT M10	26716-100002	8	8	8	8	10					
18-29	スプリングワッシャー SPRING WASHER 18 4od-2.5t	22217-100000	8	8	8	8	10					

Fig.19 ツール
TOOLS

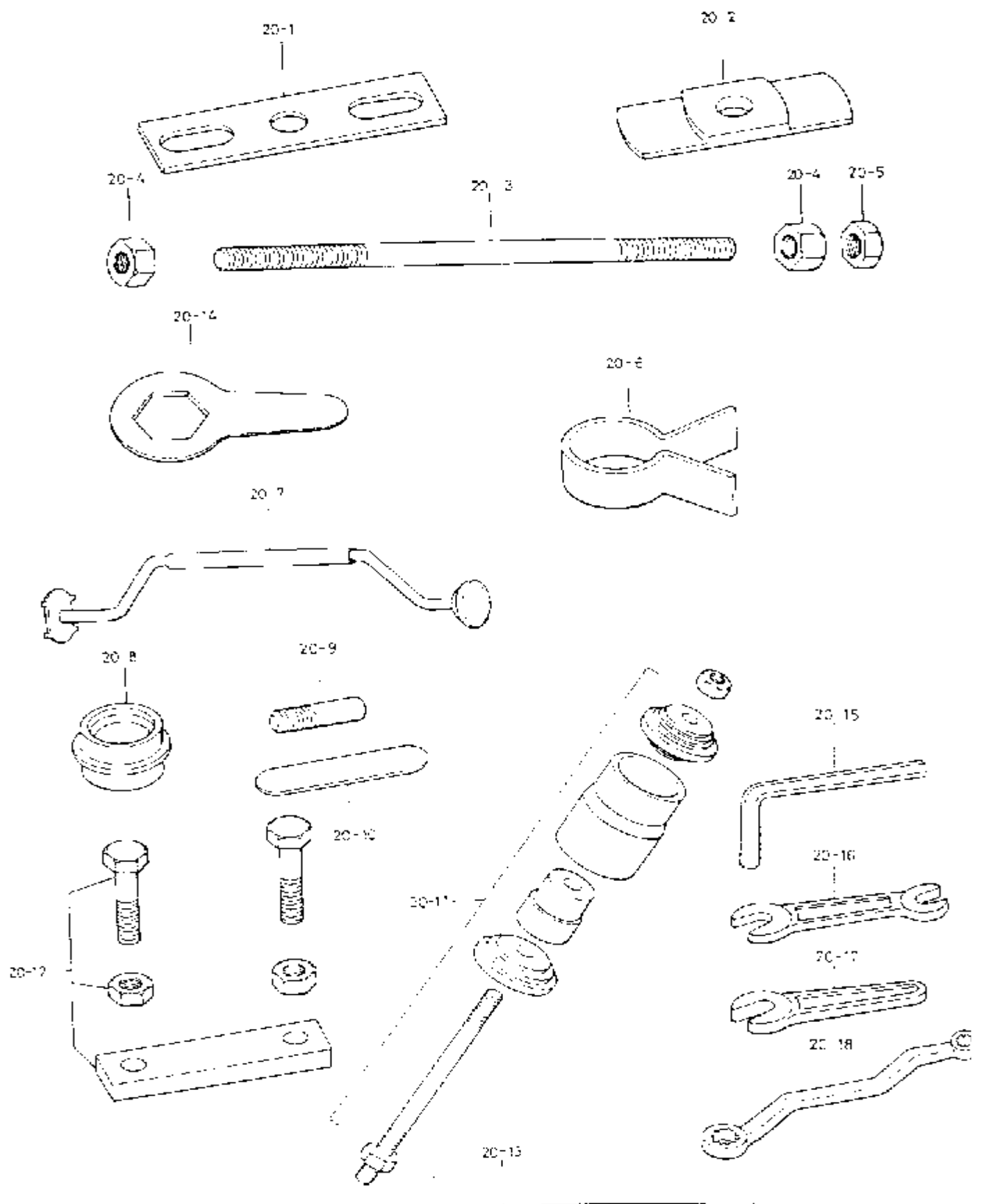


19-1



19. ツール TOOLS										
品名 Name	品名 Name	品名 Name	品名 Name	品名 Name	品名 Name	品名 Name	品名 Name	品名 Name	品名 Name	品名 Name
Ref. No.	Description	Part No.	QTY	UNIT	QTY	UNIT	QTY	UNIT	QTY	UNIT
	ツール アッセンブリ TOOL ASSY	704211-92100	1	1	1	1				
19-1	BOX, tool	104200-92600	1	1	1	1				
19-2	SPANNER, double ended	26110-100135	1	1	1	1			5	10 x 13
19-3	SPANNER, double ended	26110-170190	1	1	1	1			5	17 x 19
19-4	SPANNER, double ended	26110-230240	1	1	1	1			5	22 x 24
19-5	FEEDER, gasoline	25210-000150	1	1	1	1			5	
19-6	DR. VER. screw	104200-92050	1	1	1	1			5	

Fig.20 オプションナル パーツ, スペシャル ツール
 OPTIONAL PARTS, SPECIAL TOOLS



オプション部品、スペシャルツール
20. OPTIONAL PARTS, SPECIAL TOOLS

品番 Part No. Ref. NO.	品名 Description	部品番号 Part No.	数量 QTY					単位 Unit	備考 Remarks
			計 TOTL	標準 STD	特注 SPEC	在庫 INVT	未発注 UNORD		
20-1	プレート、シリンダ liner 取り除く upper PLATE, cyl liner removing upper	165F-50w	1						
		167F38w	1						
20-2	プレート、シリンダ liner 取り除く lower PLATE, cyl liner removing lower	84F-22w	1						
		84F-21w	1						
20-3	ローラー、シリンダ liner 取り除く ROLLER, cyl. liner removing	10sd-280F	1	1					
20-4	ナット NUT	M16	2	2				10	
20-5	ロックナット LOCK NUT	M16	1	1				10	
20-6	クランプ、ピストン 挿入用 CLAMP, piston inserting	130F-26w	1					5	
		140F-26w	1					5	
20-7	ハンドル、バルブ 調整用 HANDLE, valve adjusting	210F	1	1					
20-8	パウダー、バルブ 調整用 POWDER, valve adjusting	56F-27w	1	1					
20-9	リプレースメント、バルブ REPLACER, vlv. valve	104-50F	1					5	
20-10	ゲージ、厚さ GAUGE, thickness	75F-107F	1	1				10	
20-11	リプレースメントアセンブリ、メインベアリング REPLACER ASSEMBLY, main bearing	734-220F	1						
		104500-92400	1						
20-12	リプレースメントアセンブリ、スロウベアリング REPLACER ASSEMBLY, slow bearing	704200-92700	1						
		704300-92700	1						
20-13	ターンバー TURNING BAR	150-500F	1						
20-14	スパンナー、エンドナット SPANNER, end nut	100w-165F	1						
		100w-130F	1						
20-15	スパンナー、ゴVERNOR サポート SPANNER, governor support	32w-85F	1	1				5	
20-16	スパンナー、ダブルエンド SPANNER, double ended	350F	1	1					
20-17	スパンナー、シングルエンド SPANNER, single ended	950F	1	1					
20-18	レンチ WRENCH	745F	1	1					

オプションパーツ
1. OPTIONAL PARTS







品番 Ref. No.	品名 Description	Part No.	数量 Qty				Sales Unit	備考 Remarks
			個 個	箱 箱	台 台	架 架		
	オプションパーツ SPARE PARTS KIT	704214-01980	1				5	
		704514-01980		1			5	
1-11	パッキング, cyl. head gasket PACKING, cyl. head gasket	146f-124w 182f-135w	104200-01330	1			10	
			104500-01330	1			10	
7-2	リングセリ RING SEI		704200-22500	1			5	
			704500-22500		1		5	
11-7	バルブワカスト, fuel injection 136, 53 7f VALVE W/CAST, fuel injection 136, 53 7f		102100-50000	1			10	
9-10	V-ベルト, water pump V-BELT, water pump	732c 838c	104214-42780	1				
			104514-42780		1			
16-19	V-ベルト V-BELT	533c 588c	104214-42750	1				
			104514-42750		1			
	パッキングキット PACKING KIT		704214-01990	1			10	
			704514-01990		1		10	
3-19	パッキング, cyl. side cover PACKING, cyl. side cover	183w-195f 212w-233f	104214-01410	1			10	
			104514-01410		1		10	
1-24	パッキング, cyl. rear cover PACKING, cyl. rear cover	114w-145f	104200-01490	1			10	
9-35	パッキング, cyl. upper cover PACKING, cyl. upper cover	118w-120f 134w-146f	104200-44050	1			5	
			104500-44050		1		5	
6-6	パッキング, flywheel housing PACKING, flywheel housing	183w-209f 195w-223f	104214-02020	1			5	
			104514-02020		1		5	
15-2	パッキング, starter PACKING, starter	136f-0.3t	104214-77080	1			10	
3-25	パッキング, pre-combus. chamber 28.6od-0.5t PACKING, pre-combus. chamber 28.6od-0.5t		101204-11450	2			10	
			101704-11450		2		10	
3-26	インジケータ, chamber testing INDICATOR, chamber testing	24.5od-1t	103854-11400	1			10	
3-45	パッキング, bonnet PACKING, bonnet	117.5f-85.5w 134.5f-98w	104200-11310	1			10	
			104500-11310		1		10	
4-7	パッキング, exh. gasket PACKING, exh. gasket	70f-2t 87f-2t	104214-13200	1			10	
			104500-13200		1		10	

オプション部品
1. OPTIONAL PARTS

品番 Ref. NO.	品名 Description	規格 Part No.	数量 QTY.				標準 Sales Unit	備注 Remarks
			YSEA	YST	YSE	YST		
8-33	パッキング, g-lter body	64 F-0.31	104200-34510	1	1		10	
8-10	パッキング, strainer case	66 F-0.31	104211-35120	1	1		10	
9-32	パッキング, zinc	18d-1.5t	123210-09310	1	1		10	
9-34	パッキング, zinc flange	56 F-0.5t	101770-41620	1	1		10	
10-23	パッキング, fuel injection pump body	53t-0.15t	174*20-5*030	1	1		10	
15-2	パッキング, clutch case	344t-0.3t	104211-82040	1			10	
		372t-0.3t	104511-82040				10	
16-4	パッキング, ahead shaft rear case	109 F-102w	104211-82090	1	1		10	
16-13	パッキング, thrust shaft rear cover	87 F-0.3t	104211-82240	1	1		10	

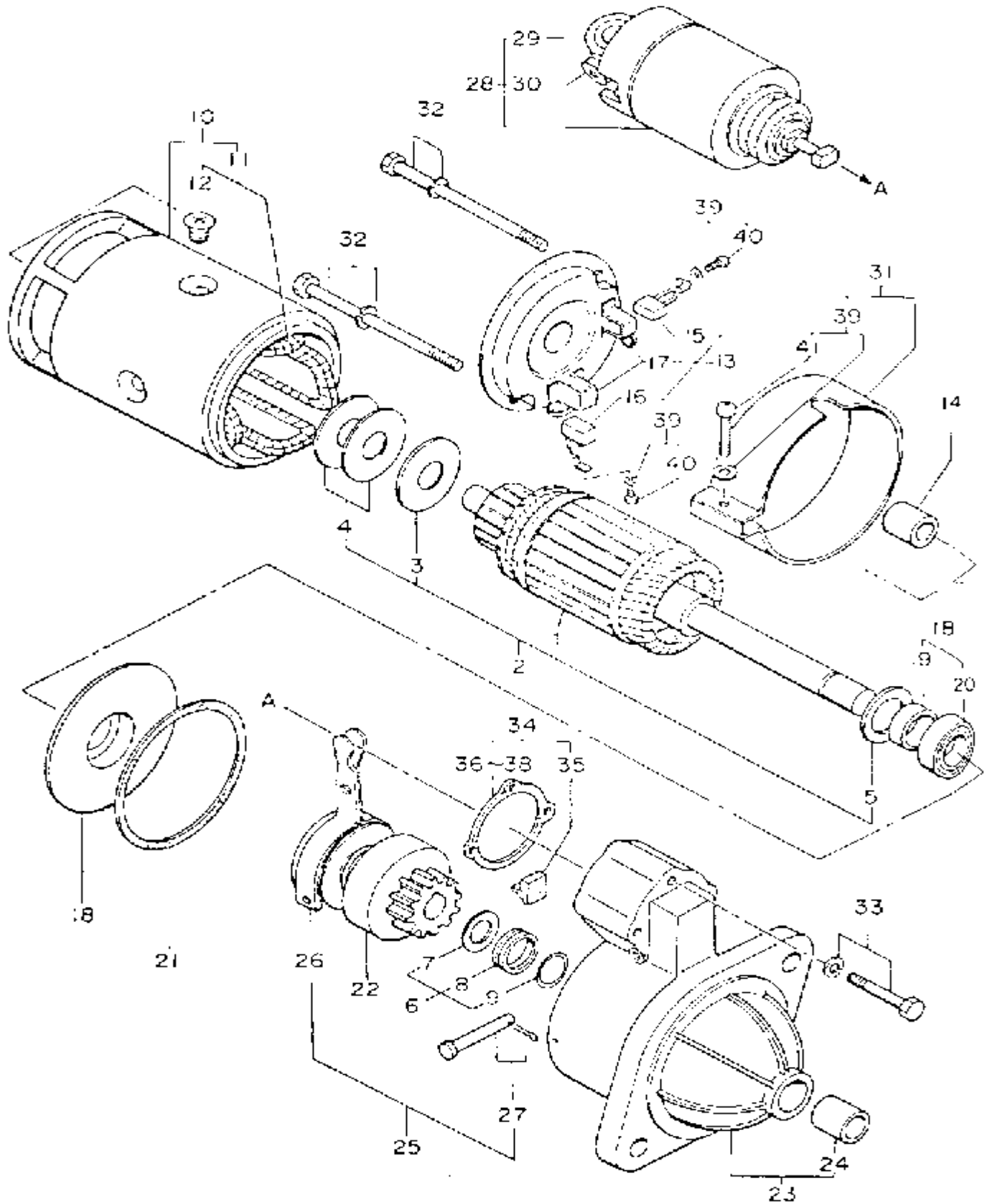
マリン ギヤ- チャート
II. MARINE GEAR CHART

Exchang for the following parts makes it possible to be interchangeability
with other models as below. YSE8 ⇔ YSE8G, YSE12 ⇔ YSE12G

Part Name	Figure	Model	Part No.	A Diameter (Outer)	B Thickness	C Teeth or Blades	D Pitch	E Diameter (Inner)
Gear ahead idle		YS8	104211-83981	111	36	26.35		
		YS8G	104212-83941	111	36	22.36		
		YS12	104511-83980	132	36	21.42		
		YS12G	104513-83940	132	36	29.42		
Gear reverse idle		YS8	104211-83930	77.5	33	24.20		
		YS8G	104213-83930	77.5	33	24.19		
		YS12	104511-83930	(89.5)	(33)	(28.20)	Same	
		YS12G	104511-83930	(89.5)	(33)	(28.20)		
Gear thrust shaft		YS8	104211-83540	43	53.5	29		
		YS8G	104213-83531	105	53.5	34		
		YS12	104511-83530	119	53.5	35		
		YS12G	104513-83530	132	53.5	41		
Coupling propeller shaft		YS8	48110-022360	100	76			22
		YS8G	48110-025062	100	76			28
		YS12	48110-025052	100	76			28
		YS12G	48110-028062	100	76			28
Propeller standard		YS8		300 330 350 380 410 450		3	230 270 190 500	22
		YS8G		420 380		3	250 280	25
		YS12		280 320 350		3	140 150 160	25
		YS12G		480 460 450		3	180 190 200	25
		YS12G		450		3	180	25
Stem arrangement assy. standard (without propeller & coupling)		YS8		22				
		YS8G	Shaft diameter	25				
		YS12		25				
		YS12G	Shaft diameter	28				

50

スターティング モータ STARTING MOTOR

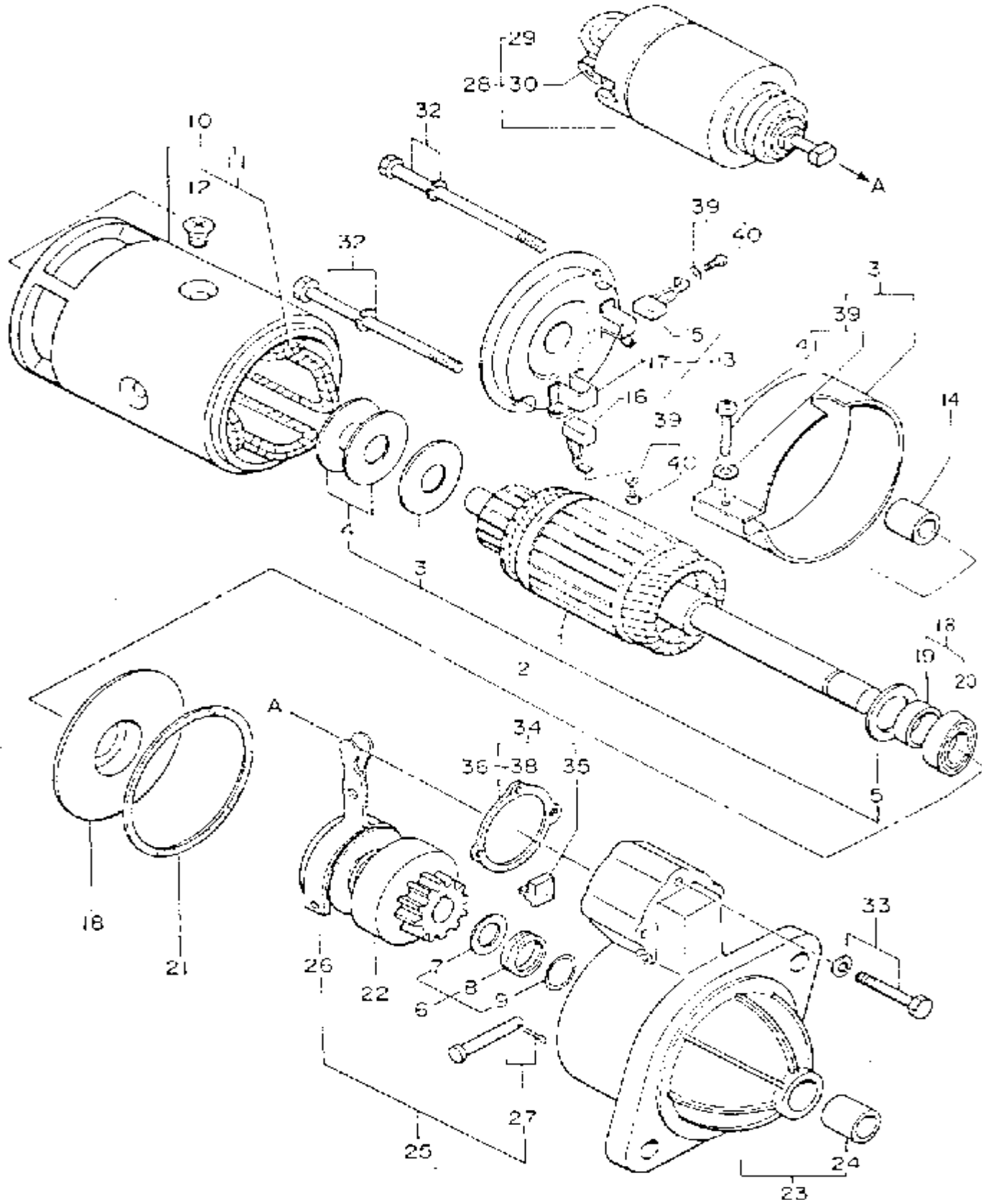


スターフィリング モーター
III STARTING MOTOR

品番 Ref. NO.	品名 Description	部品番号 Part No.	数量		Sales Unit	備考 Remarks
			Y91R	Y91T		
15-1	スターフィリング モーター Starting motor	104211-77010	1	-		
1	アーマチュア アッセンブリ Armature Assy.	2114Y-3150	1	-		
2	スラスト ワッシャー セット Thrust Washer Set	2114-7110	1	-	10	
3	スラスト ワッシャー (A) Thrust Washer (A) 0.5t		1	-	※	Order assy
4	スラスト ワッシャー (B) Thrust Washer (B) 0.25t		2	2	※	Order assy
5	スラスト ワッシャー (C) Thrust Washer (C) 0.5t		1	-	※	Order assy
6	ピニオン ストッパー セット Pinion Stopper Set	2114-2155	1	-	5	
7	ピニオン ストッパー Pinion Stopper		1	-	※	Order assy
8	ピニオン ストッパー ワッシャー Pinion Stopper Washer		1	-	※	Order assy
9	ピニオン ストッパー クリップ Pinion Stopper Clip		1	-	※	Order assy
10	ヨーク アセンブリ Yoke Assembly		1	-		
11	フィールド コイル アッセンブリ Field Coil Assembly	2114Y-1260	1	-		
12	ネジ Screw	2114-3215	4	4	4	
13	ベアリング カバー アセンブリ Bearing Cover Assembly	2114-7350	1	-		
14	ギヤ ケース メタル Gear Case Meta	2108-1501	1	-	2	
15	ブラシ (-) Brush (-)	2108-2305	2	2	10	
16	ブラシ (-) Brush (-)	2108-2306	2	2	10	
17	ブラシ スプリング Brush Spring	2108-2307	4	4	10	
18	センター ベアリング メタル アッセンブリ Center Bearing Meta Assy.	2114-7450	1	1		
19	センター ベアリング メタル Center Bearing Meta		1	1	※	Order assy
20	オイル シール Oil Seal		1	1	※	Order assy
21	パッキング Packing		1	1	※	Order assy

51

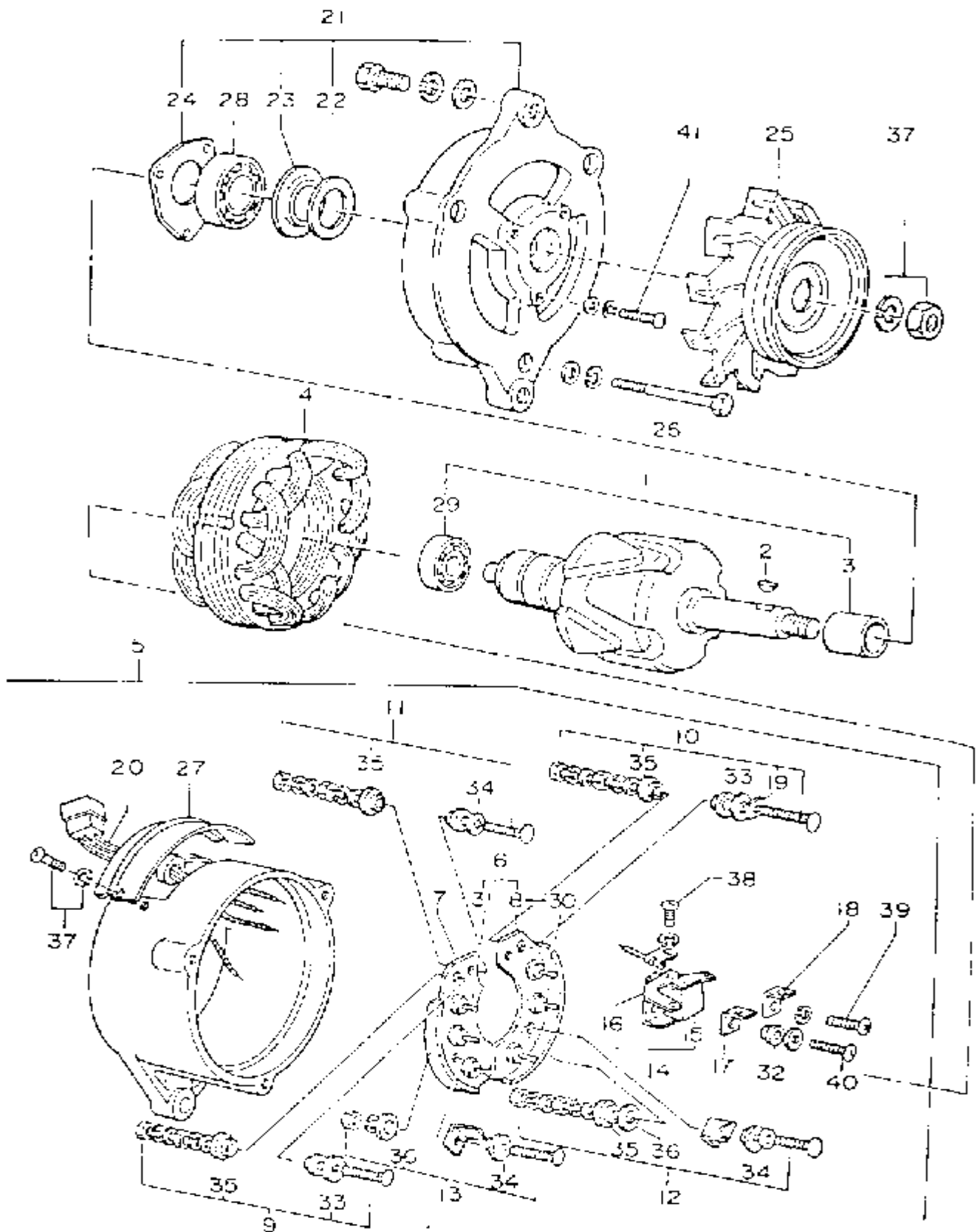
スターティングモータ STARTING MOTOR



III. スターティングモーター
STARTING MOTOR

品番 Ref. No.	品名 Description	部品番号 Part No.	数量			Sales unit	備考 Remarks
			標準	在庫	計		
15 22	ピンのアセンブリ Pinion Assembly	2114N-1550	1	-	-		
23	ギヤケースのアセンブリ Gear Case Assembly	2114Y-2600	1	1	-		
24	ギヤケースのベアリングメタル Gear Case Bearing Metal	2114-1651	1	1	-	10	
25	シフトレバーのセット Shift Lever Set	2114-9551	-	1	-		
26	シフトレバー Shift Lever		-	1	-	8 Order assy	
27	シフトレバーのピン Shift Lever Pin		-	1	-	4 Order assy	
28	磁性スイッチのアセンブリ Magnetic Switch Assy	2114Y-3700	-	1	-		
29	ゴムカバー (1) Rubber Cover (1)	2114-1742	-	1	-	10	
30	ゴムカバー (2) Rubber Cover (2)	2114-2742	-	1	-	10	
31	ブラシカバーのアセンブリ Brush Cover Assy	2114-2850	1	1	-	Includes 41	
32	ボルト Bolt	2114-7354	2	2	-	10	
33	5号ボルト 5# Bolt	2114-6851	3	3	-	10	
34	ダストカバーのセット Dust Cover Set	2114-9953	1	1	-	10	
35	ダストカバー Dust Cover		1	1	-	8 Order assy	
36	調整リング (1) Adjusting Ring (1)		1	-	-	6 Order assy	
37	調整リング (2) Adjusting Ring (2)		1	-	-	6 Order assy	
38	調整リング (3) Adjusting Ring (3)		1	-	-	6 Order assy	
39	ネジのセット Screw Set	2114-2835	1	1	-	10	
40	ネジ Screw		4	4	-	8 Order assy	
41	ネジ Screw		1	1	-	6 Order assy	

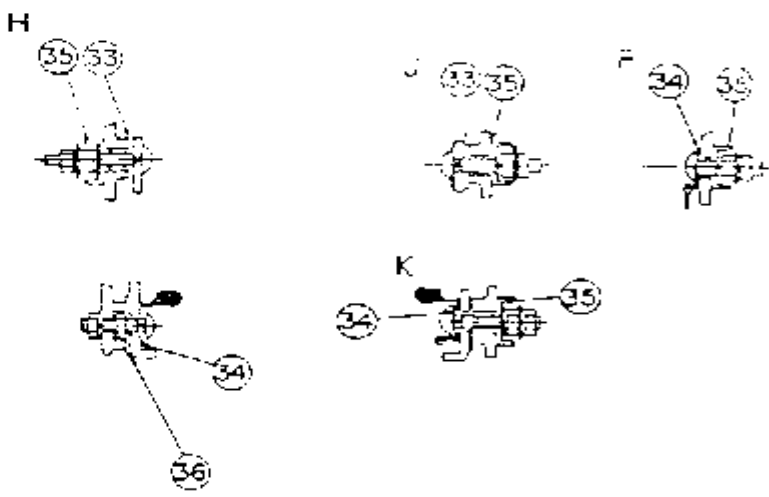
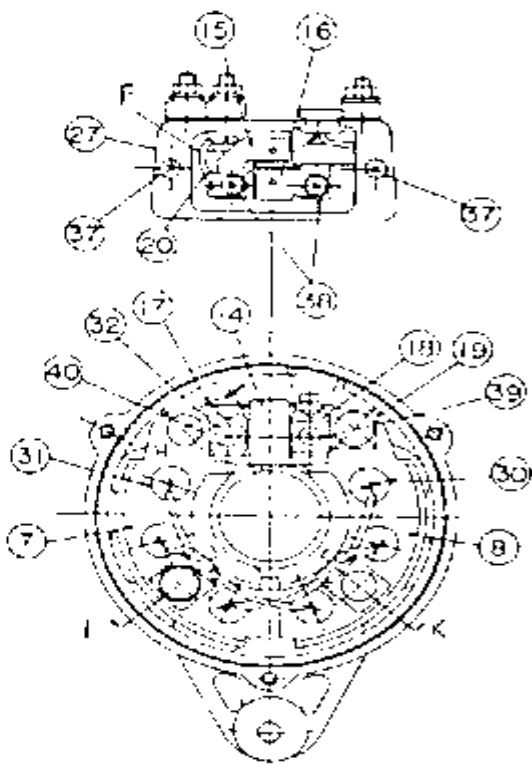
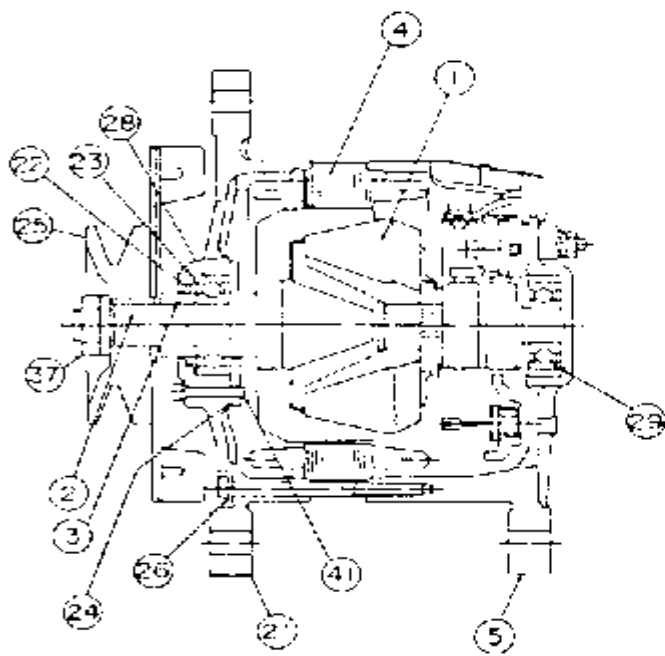
ジェネレータ
GENERATOR (12V, 25A)



シマネレータ
VI. GENERATOR (12V, 25A)

品番 Ref. NO	品名 Description	部品番号 Part No	数量				標準 Sales Unit	備考 Remarks
			計 QTY	納 入 QTY	出 庫 QTY	残 庫 QTY		
	ジェネレータ (AC)							
	Generator	124220-77200	1					
1	ロータアセンブリ							
	Rotor Assy	L125-7100	1	1			Inc. 3,29	
2	キー	3625-1101	1	1		10		
3	スペーサー					5	order assy	
4	スターアセンブリ							
	Stator Assy.	L125-1250	1	1				
5	ヘッドカバーアセンブリ						6-20 Inc. 27,30+31 20-40	
	Head Cover Assy	L125-1300	1	1				
6	ダイオードブラシアセンブリ							
	Diode Brush Assy	L125-1351	1	1			Inc. 7,9	
7	SRホルダーアセンブリ (+)							
	SR Holder Assy. (+)	L125-1353	1	1			Inc. 31	
8	SRホルダーアセンブリ (-)							
	SR Holder Assy. (-)	L125-1325	1	1			Inc. 30	
9	ターミナルボルトアセンブリ (1) A							
	Terminal Bolt Assy. (1) A	L130-1355	1	1		5	Inc. 33,35	
10	ターミナルボルトアセンブリ (2) B							
	Terminal Bolt Assy. (2) B	L130-1356	1	1		5	Inc. 33,35	
11	ターミナルボルトアセンブリ (3) C							
	Terminal Bolt Assy. (3) C	L130-1357	1	1		5	Inc. 34,35	
12	ターミナルボルトアセンブリ (4) N							
	Terminal Bolt Assy. (4) N	L130-1358	1	1		5	Inc. 34,35	
13	ターミナルボルトアセンブリ (5)							
	Terminal Bolt Assy. (5)	L130-1359	1	1		5	Inc. 34,35	
14	ブラシホルダー							
	Brush Holder	L130-7325	1	1		2		
15	ブラシアセンブリ (F側)							
	Brush Assy. (F side)	L130-7326	1	1		10		
16	ブラシアセンブリ (E側)							
	Brush Assy. (E side)	L130-7327	1	1		10		
17	ターミナルプレート							
	Terminal Plate		1	1		5		
18	ターミナルプレート							
	Terminal Plate		1	1		5	order assy.	
19	コネクタプレート							
	Connector Plate		1	1		5		
20	リードワイヤアセンブリ							
	Lead Wire Assy.	L125-7350	1	1		10		

ジェネレータ
GENERATOR (12V, 25A)



ジェネレータ
VI. GENERATOR (12V, 25A)

品番 Ref. No.	品名 Description	部品番号 Part No.	数量 Qty				標準 Sales Unit	備考 Remarks
			YSEK	計 計	計 計	計 計		
21	フロントカバーアッセンブリ Front Cover Assy.	L125-1480	1	1			Inc. 21-24	
22	パッキング Packing	L115-1402	1	1		10		
23	パッキングリテーナー Packing Retainer	L115-1403	1	1		10		
24	ベアリングリテーナー Bearing Retainer	L130-1404	1	1		10		
25	プーリーアッセンブリ Pulley Assy.	L125-1521	1	1				
26	スルーボルト Through Bolt	L113H-1801Y	1	1		6		
27	カバーセット Cover Set	L125-1852	1	1				
28	ボールベアリング Ball Bearing	6202-50	1	1		2		
29	ボールベアリング Ball Bearing	6201-50	1	1		2		
30	ダイオード (-) 側 Diode (-) side	314-00	3	3		2		
31	ダイオード (+) 側 Diode (+) side	315-00	3	3		2		
32	絶縁ブッシュ Insulating Bush		1	1		6		
33	絶縁ブッシュ Insulating Bush		2	2		6		
34	絶縁ブッシュ Insulating Bush		3	3		6	order ass.	
35	絶縁ブッシュ Insulating Bush		4	4		6		
36	SHホルダー絶縁体 SH Holder Insulator		2	2		6		
37	プルーフナットセット Proof Nut Set	F-444001A	1	1		10		
38	ネジ Screw		4	4		6		
39	ネジ Screw		1	1		6		
40	ネジ Screw		1	1		6	order ass.	
41	ネジ Screw		3	3		6		